

Copeland™ X-Line

Outdoor Refrigeration Units



Product Information

Horsepower: 3/4 – 6
Temperature Applications: Low/Medium/High
Refrigerants: R-22, R-134a, R-404A, R-407A,
R-407C, R-448A, R-449A, R-507
Installation Applications: A variety of applications including
walk-in boxes, display cases,
island cases, soft serve



Nomenclature • Welded Condensing Units

Temperature Application	Code
High Temperature	H
Medium Temperature	M
Low Temperature	L
Extended Medium Temp.	F
Extra Low Temperature	E
Multiple	S
Multiple	N
Multiple	P
R-404A LT and R-134a HT	K

Compressor Motor Types		
Phase	Description	Code
1	Capacitor Run - Capacitor Start	C
1	Induction Run - Capacitor Start	I
1	Induction Run - Split Phase	S
1	Capacitor Run - Permanent Split	P
3	Three Phase - General 3 Lead Single Voltage 6 Lead Part Winding 575V 9 Lead Dual Voltage	T
3	Star (Wye) Delta	E
3	6 Lead - Part Winding or Across the Line	F

Bill Of Material (BOM)	
001 thru 099	Intended for UL Listing and CUL Certified
100 thru 299	Intended for UL Recognition and CUL Certified
300 thru 399	Not eligible for either UL Listing, UL Recognition or CUL Certified

X X X X - X X X X - X X X - X X X

Condensing Unit Family Series

Type of Design	Code
Air-Cooled Steel Base	A
Air-Cooled Copevap Base	E/P
Narrow Air-Cooled Copevap	T
Water-Cooled Steel Base	W
Custom Base	C
Discus	D

Comp. Motor Rating	
Nominal HP	Code
1/2	0050
3/4	0075
1	0100
1-1/2	0150
2	0200
3	0300
4	0400
5	0500
6	0600
7-1/2	0750
9	0900
10	1000
15	1500

Note: Left position may be a letter indicating a revision change.

Fixed Speed	Z
Digital	D

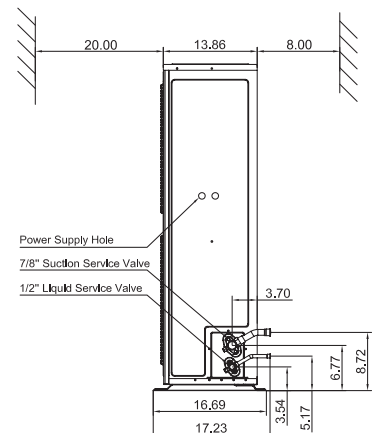
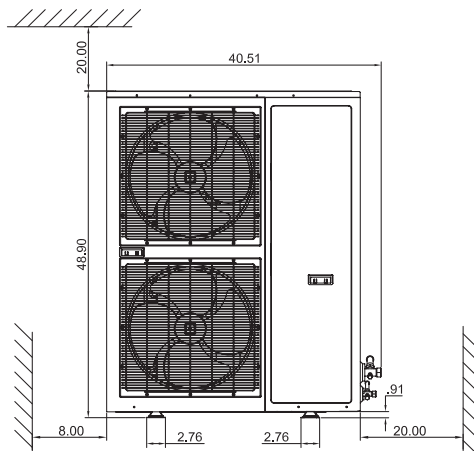
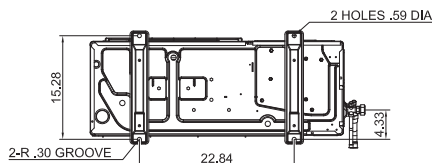
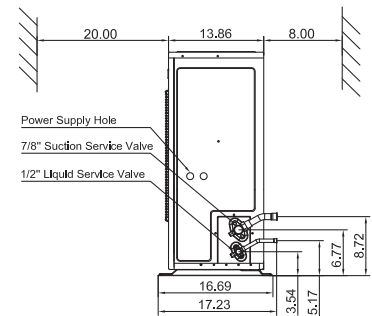
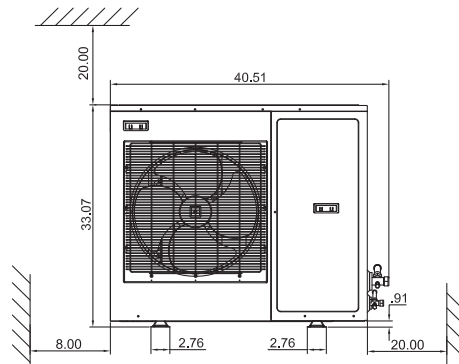
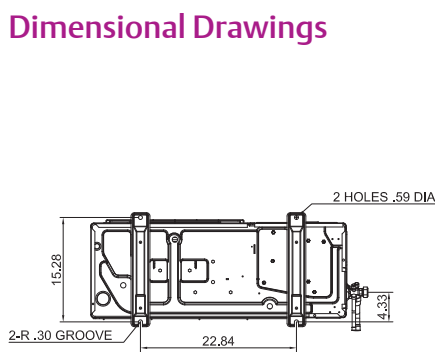
Compressor Motor Protection	
Type Protection	Code
External Inherent Protection - One Protector (Line Break)	A
Internal Inherent Protection - One Protector (Line Break)	F
Internal Thermal Protection - Electronic Sensors; and Control Module External	S

Electrical Codes		
60 Hz.	50 Hz.	Code
115-1	100-1	A
230-1	-	B
208/230-3	200/220-3	C
460-3	-	D
575-3	-	E
-	230-1	G
-	380/420-3	M
208/230-1	200-1	V
-	220-3	W
-	220/240-1	Z

Note: When both 60 Hz and 50 Hz are listed, the 60 Hz is primary. The 50 Hz values are typical and may or may not apply. There may also be slight variations in voltages for 50 Hz.

Refrigerant	Code
R404A/507	J/4
R134a	T/2
R12	B
R22	C/3/M
Multiple	F
R22/407C	G
R22	9
R134a/404A/22	N
R134a/404A	P
R404A/22	8

Dimensional Drawings

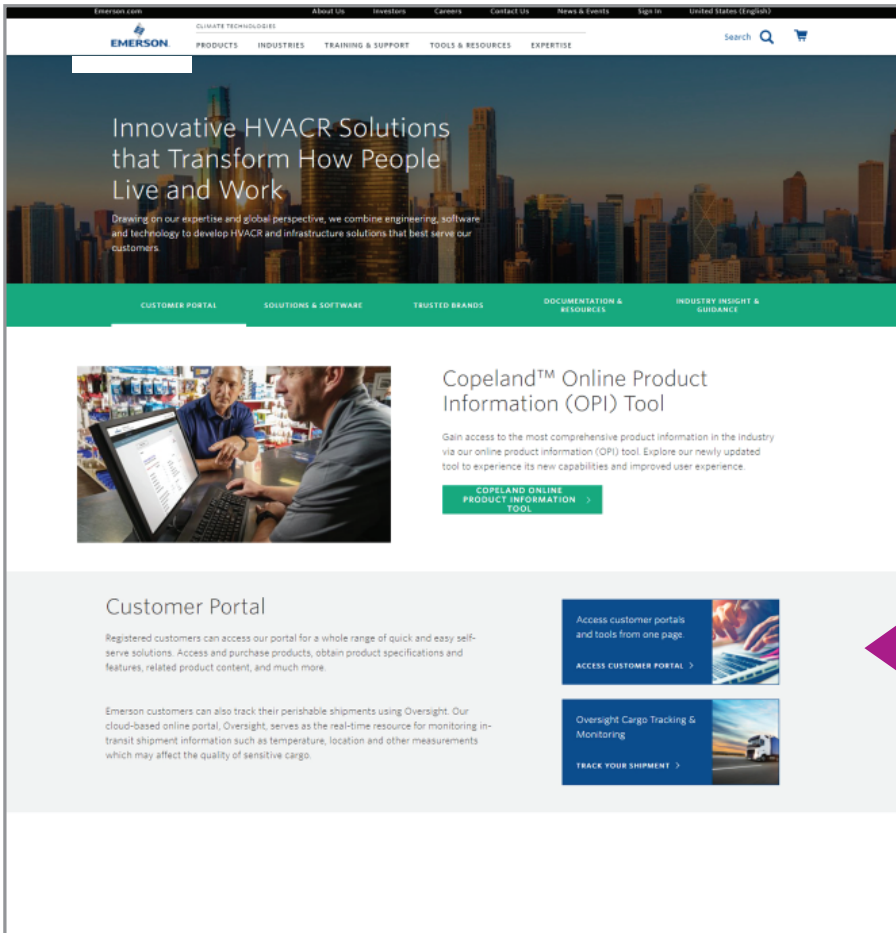


Bill of Materials Matrix

BOM	Options													UL			
	Receiver w/Valve	Receiver Heater/Insulation	Suction Valve	Liquid Valve	Accumulator * (XFAL, XFAP Only)	Oil Separator (Low Temp Fixed and Med Temp Digital)	Pressure Controls (Adjustable Low, Fixed High)	Defrost Control	Filter Drier	Moisture Indicator/Sight Glass	Crankcase Heater	Variable Speed Condenser Fan	Demand Cooling Low Temp (2-6HP) - Enhanced Vapor Injection (EVI) Low Temp (3/4 - 1.5HP) - Med/Ext Med Temp - Liquid Injection	Two-Way Communication	Onboard Diagnostics/Protection	Listed	Recognized
Air-Cooled																	
080	X	X	X	X	X*	X	X	X	X	X	X	X	X	X		X	
081	X	X	X	X	X*	X	X	X	X	X	X	X	X	X	X	X	

All information in this catalog is for reference only and subject to change without notice. Please visit [Emerson.com/CopelandOPI](https://www.emerson.com/CopelandOPI) for a complete listing of all available models and updated information.

For AWEF compliant models, see p.24.



Climate.Emerson.com

Access for more product information

For more information, visit [Emerson.com/CopelandOPI](https://www.emerson.com/CopelandOPI).

Copeland™ Outdoor Refrigeration Units

Features	Benefits
Copeland Scroll Compressor Variable Speed Fan Motor	Reliability, High Energy Efficiency, Low Sound & Vibration
Advanced Diagnostics and Protection Features	Faster Troubleshooting Warranty Reduction
Factory Installed EK Filter Drier and HMI Moisture Indicator	Fewer Leaks, Reduced Callbacks, Lower Installation Costs, Increased Equipment Reliability, Lower Warranty
Slim Profile Design and Light Weight	Application Flexibility

Resources and Support

Climate.Emerson.com/CopelandOutdoorUnit

■ Online Product Information and Technical Data

- Application Engineering Bulletins
- Instruction Sheets
- Marketing Brochures
- Videos

■ Product Selection Tools

- Walk-In Box Load Calculator
- Energy Savings Calculator

■ Where to Buy

Application Engineering Bulletins

- 4-1273 Factors to Consider in Converting Compressor Rated Capacity to Actual Capacity
- 4-1295 HFC-134A Refrigerant Guidelines
- 4-1298 Extended Medium Temperature R-404A/507 Hermetic Compressors and Condensing Units
- 4-1299 Application Guidelines for Copeland Scroll Compressors 2 - 6 Horsepower
- 4-1327 Economized Vapor Injection (EVI) Compressors
- 4-1387 Application Guidelines for ZS**KAE Copeland Scroll Refrigeration Compressors 1.3-4.5 HP
- 5-1412 Copeland Scroll Outdoor Refrigeration Unit Installation and Reference Manual
- 11-1147 Suction Accumulators
- 11-1297 Liquid Line Filter-Driers
- 17-1260 Compressor Overheating
- 17-1268 Compression Ratio as it Affects Compressor Reliability
- 22-1182 Liquid Refrigerant Control in Refrigeration and Air Conditioning Systems

Sound Data

	Model	dBa*
MED TEMP	Single fan	55
	Double fan	58
LOW TEMP	Single fan	53
	Double fan	59

Sound pressure values are 10 feet from the unit at 25°F evap for MT and -10°F evap for LT at 90°F ambient. A sound reduction of up to 3 dBA will occur in ambient temperatures below 70°F. This data is typical of “free field” conditions for horizontal air-cooled condensing units and may vary depending on the condensing unit installation. There are many factors that affect the sound reading of a condensing unit such as unit mounting, reflecting walls, background noise and operating condition.

Medium Temp – Air-Cooled

90° Ambient															
HP	Model	Compressor	Electrical	Refrigerant	Capacity (BTU/Hr) @ SST, 40°F RG (65°F RG in Bold), 5°F Subcooling										
					0	5	10	15	20	25	25	30	35	40	45
3/4	XFAM-008Z	ZB06KAE	CFV TFC	R-134a	2640	3000	3400	3840	4330	4860	4940	5520	6170	6870	7620
				R-404A	4840	5400	6000	6660	7380	8160	8410	9270	10200	11200	12300
				R-407A	4190	4720	5310	5950	6660	7440	7540	8390	9310	10300	11400
				R-407C	3920	4420	4980	5600	6270	7010	7080	7890	8770	9730	10800
				R-448A/R-449A	4290	4830	5420	6060	6760	7530	7640	8480	9400	10400	11500
1	XFAM-010Z	ZB07KAE	CFV TFC	R-507	5040	5600	6220	6900	7630	8420	8700	9570	10500	11500	12600
				R-134a	3170	3590	4060	4580	5160	5810	5900	6610	7380	8210	9120
				R-404A	5780	6440	7160	7940	8790	9710	10000	11000	12100	13300	14500
				R-407A	5020	5650	6350	7120	7970	8890	9010	10000	11100	12300	13600
				R-407C	4680	5290	5960	6700	7510	8390	8480	9440	10500	11600	12800
1 1/4	XFAM-012Z	ZB08KAE	CFV TFC	R-448A/R-449A	5130	5770	6470	7240	8080	9000	9120	10100	11200	12400	13700
				R-507	6010	6690	7420	8220	9080	10000	10400	11400	12500	13700	14900
				R-134a	3690	4170	4720	5320	6000	6750	6860	7680	8580	9560	10600
				R-404A	6720	7480	8310	9210	10200	11200	11600	12800	14000	15400	16800
				R-407A	5840	6580	7390	8280	9260	10300	10500	11600	12900	14300	15800
1 1/2	XFAM-015Z	ZS09KAE	CFV TFC	R-407C	5450	6160	6930	7790	8730	9750	9850	11000	12200	13500	14900
				R-448A/R-449A	5910	6660	7490	8400	9410	10500	10600	11800	13000	14400	15900
				R-507	6430	7190	8010	8910	9900	11000	12000	13200	14400	15800	17200
				R-134a	4160	4720	5330	6010	6760	7580	7700	8600	9600	10700	11900
				R-22	6900	7700	8590	9560	10600	11800	11700	13000	14300	15700	17300
1 3/4	XFAM-017Z	ZS11KAE	CFV TFC	R-404A	7490	8340	9270	10300	11400	12500	12900	14200	15600	17100	18700
				R-407A	6490	7310	8220	9230	10300	11500	11700	13000	14400	15900	17500
				R-407C	6120	6890	7750	8690	9730	10900	11000	12200	13500	15000	16600
				R-448A/R-449A	6660	7480	8380	9370	10500	11600	11800	13100	14500	16000	17600
				R-507	7880	8770	9720	10700	11800	13000	13500	14800	16200	17700	19300
2	XFAM-020Z	ZS13KAE	CFV TFC	R-134a	4890	5540	6260	7050	7930	8900	9040	10100	11300	12500	13900
				R-22	8110	9060	10100	11200	12500	13800	13800	15200	16800	18400	20200
				R-404A	8810	9810	10900	12000	13300	14600	15100	16600	18200	19900	21700
				R-407A	7660	8620	9680	10800	12100	13500	13700	15200	16800	18600	20500
				R-407C	7150	8060	9070	10200	11400	12700	12800	14300	15800	17500	19300
2 1/4	XFAM-022Z	ZS15KAE	CFV TFC	R-448A/R-449A	7810	8770	9820	11000	12200	13600	13800	15300	16900	18700	20500
				R-507	9270	10300	11400	12600	13900	15200	15800	17300	18900	20600	22400
				R-134a	5640	6380	7210	8110	9110	10200	10400	11600	12900	14300	15900
				R-22	9340	10400	11600	12900	14300	15800	15800	17300	19100	20900	22900
				R-404A	10100	11200	12400	13700	15100	16600	17200	18800	20600	22500	24500
2 1/2	XFAM-025Z	ZS19KAE	CFV TFC	R-407A	8830	9920	11100	12400	13900	15400	15600	17300	19200	21100	23200
				R-407C	8260	9300	10400	11700	13000	14500	14700	16300	18000	19900	22000
				R-448A/R-449A	9000	10100	11300	12600	14000	15500	15800	17400	19200	21200	23200
				R-507	10700	11800	13100	14400	15800	17400	18000	19600	21400	23300	25400
				R-134a	7020	7940	8950	10000	11200	12600	12800	14200	15800	17500	19300
3	XFAM-030Z	ZS21KAE	CFV TFC	R-22	11100	12600	14200	15800	17500	19300	19200	21100	23100	25200	27500
				R-404A	12400	13800	15200	16800	18400	20200	20900	22800	24800	27000	29300
				R-407A	11000	12300	13800	15300	17100	18900	19200	21200	23300	25600	28000
				R-407C	10200	11500	12900	14400	16000	17800	18000	19900	22000	24200	26600
				R-448A/R-449A	11100	12500	13900	15500	17200	19000	19300	21200	23300	25600	28000
3 1/4	XFAM-033Z	ZS26KAE	CFV TFC	R-507	12800	14200	15700	17200	18900	20600	21400	23400	25400	27600	29900
				R-134a	7820	8840	9950	11200	12500	13900	14200	15700	17500	19300	21400
				R-22	12400	14100	15800	17500	19400	21300	21300	23300	25500	27900	30400
				R-404A	13900	15400	17000	18600	20400	22300	23100	25200	27400	29700	32100
				R-407A	12000	13500	15100	16900	18800	20800	21100	23300	25700	28300	31000

NOTE: All XFAM data also applies to XFAP models.

Area Restrictions: 20°F Max Superheat Area Restrictions: 40°F Max Return Gas Temp

Medium Temp – Air-Cooled

90° Ambient															
HP	Model	Compressor	Electrical	Refrigerant	Capacity (BTU/Hr) @ SST, 40°F RG (65°F RG in Bold), 5°F Subcooling										
					0	5	10	15	20	25	25	30	35	40	45
3 3/4	XFAM-037Z	ZS29KAE	CFV TFC	R-134a	12500	14100	15900	17800	19800	22000	22400	24800	27300	30100	33000
				R-22	20600	22800	25100	27600	30300	33200	33200	36200	39400	42800	46300
				R-404A	21400	23600	25900	28200	30700	33300	34700	37500	40400	43400	46600
				R-407A	19100	21300	23700	26300	29100	32000	32600	35700	39000	42500	46100
				R-407C	18000	20200	22500	25000	27700	30500	30900	34000	37200	40600	44200
				R-448A/R-449A	19500	21700	24000	26600	29300	32100	32700	35800	39000	42400	45900
				R-507	22200	24400	26600	29000	31500	34100	35500	38300	41200	44200	47300
4 1/2	XFAM-045Z	ZS33KAE	CFV TFC TFD	R-134a	14300	16200	18200	20400	22800	25400	25800	28600	31600	34900	38400
				R-22	23600	26100	28800	31800	35000	38300	38300	42000	45800	49900	54500
				R-404A	24700	27200	29900	32800	35900	39100	40600	44200	47900	52000	56000
				R-407A	22000	24600	27400	30400	33700	37200	37800	41600	45600	49900	54500
				R-407C	22500	25100	27900	30900	34100	37600	38000	41800	45700	49900	54500
				R-448A/R-449A	22300	24800	27600	30600	33800	37300	37900	41600	45600	49800	54000
				R-507	25600	28200	31000	33900	37000	40200	41800	45400	49100	53000	57000
5	XFAM-050Z	ZS38K4E	CFV TFC TFD	R-134a	16800	19000	21300	23900	26700	29700	30100	33300	36800	40600	44500
				R-22			33000	36400	40000	43800	43800	47900	52000	56500	61500
				R-404A	29100	32000	35200	38500	42100	45900	47400	51500	56000	60500	65500
				R-407A	25900	28900	32200	35700	39600	43700	44200	48600	53500	58500	63500
				R-407C	24400	27300	30400	33900	37500	41500	41800	46100	50500	55500	60500
				R-448A/R-449A	26400	29400	32600	36100	39800	43900	44400	48800	53500	58500	63500
				R-507	30200	33200	36400	39800	43400	47100	48900	53000	57500	62000	66500
6	XFAM-060Z	ZS45K4E	TFC TFD	R-134a	20000	22500	25200	28200	31400	34900	35400	39200	43200	47500	52000
				R-22			39000	43000	47300	52000	52000	56500	61500	67000	72500
				R-404A	34100	37400	41000	44800	48800	53000	55000	59500	64500	69500	74500
				R-407A	30500	34000	37800	41900	46200	51000	51500	56500	62000	67500	73500
				R-407C	28700	32100	35800	39700	43900	48400	48900	53500	59000	64500	70000
				R-448A/R-449A	31000	34500	38200	42200	46500	51000	52000	56500	62000	67500	73000
				R-507	35400	38800	42400	46200	50000	54500	56500	61000	66000	71000	76000

NOTE: All XFAM data also applies to XFAP models.

Medium Temp – Air-Cooled

95° Ambient														
HP	Model	Compressor	Electrical	Refrigerant	Capacity (BTU/Hr) @ SST, 40°F RG (65°F RG in Bold), 5°F Subcooling									
					0	5	10	15	20	25	30	35	40	45
3/4	XFAM-008Z	ZB06KAE	CFV TFC	R-134a	2610	2970	3360	3800	4280	4800	5380	6000	6680	7420
				R-404A	4830	5380	5980	6630	7330	8100	8920	9810	10800	11800
				R-407A	4130	4650	5230	5860	6550	7300	8130	9030	10000	11100
				R-407C	3860	4350	4900	5500	6150	6870	7660	8510	9440	10400
				R-448A/R-449A	4230	4760	5330	5960	6640	7390	8210	9100	10100	11100
R-507	5040	5600	6210	6880	7600	8370	9210	10100	11100	12100				
1	XFAM-010Z	ZB07KAE	CFV TFC	R-134a	3140	3560	4020	4530	5110	5730	6420	7170	7990	8870
				R-404A	5770	6420	7130	7900	8740	9650	10600	11700	12800	14000
				R-407A	4960	5580	6260	7010	7830	8740	9720	10800	11900	13200
				R-407C	4620	5210	5860	6580	7360	8220	9160	10200	11300	12500
				R-448A/R-449A	5060	5690	6370	7120	7940	8830	9810	10900	12000	13300
R-507	6010	6680	7410	8200	9050	9970	11000	12000	13100	14300				
1 1/4	XFAM-012Z	ZB08KAE	CFV TFC	R-134a	3660	4130	4670	5270	5930	6670	7470	8350	9300	10300
				R-404A	6710	7460	8280	9170	10100	11200	12300	13500	14800	16100
				R-407A	5770	6490	7280	8150	9100	10100	11300	12500	13800	15300
				R-407C	5380	6060	6820	7650	8560	9550	10600	11800	13100	14500
				R-448A/R-449A	5890	6620	7410	8280	9220	10300	11400	12600	13900	15400
R-507	6990	7760	8600	9500	10500	11500	12700	13900	15200	16500				
1 1/2	XFAM-015Z	ZS09KAE	CFV TFC	R-134a	4130	4670	5280	5940	6670	7480	8360	9330	10400	11500
				R-22	6770	7540	8380	9320	10300	11400	12600	13900	15300	16800
				R-404A	7470	8310	9230	10200	11300	12400	13700	15000	16400	17900
				R-407A	6400	7200	8090	9070	10100	11300	12600	13900	15400	17000
				R-407C	6030	6780	7610	8530	9530	10600	11800	13100	14500	16100
R-448A/R-449A	6570	7370	8250	9210	10300	11400	12600	14000	15400	17000				
R-507	7870	8750	9690	10700	11800	13000	14200	15600	17000	18500				
1 3/4	XFAM-017Z	ZS11KAE	CFV TFC	R-134a	4850	5490	6200	6980	7840	8780	9820	11000	12200	13500
				R-22	7960	8870	9870	11000	12100	13400	14800	16300	17900	19600
				R-404A	8790	9770	10800	12000	13200	14500	16000	17500	19100	20800
				R-407A	7570	8500	9530	10700	11900	13200	14700	16300	18000	19800
				R-407C	7050	7940	8910	9990	11200	12400	13800	15400	17000	18700
R-448A/R-449A	7710	8640	9670	10800	12000	13400	14800	16400	18100	19900				
R-507	9260	10300	11400	12600	13800	15200	16600	18100	19800	21500				
2	XFAM-020Z	ZS13KAE	CFV TFC	R-134a	5890	6680	7530	8450	9440	10500	11700	13000	14300	15800
				R-22	9270	10500	11800	13200	14600	16000	17600	19300	21200	23100
				R-404A	10900	12000	13200	14400	15800	17300	18900	20600	22500	24600
				R-407A	9210	10200	11400	12600	13900	15300	16900	18600	20500	22500
				R-407C	8150	9150	10300	11500	12800	14200	15800	17500	19300	21300
R-448A/R-449A	8490	9480	10600	11800	13100	14600	16200	18000	20000	22100				
R-507	10900	12000	13200	14400	15800	17300	18900	20600	22500	24600				
2 1/4	XFAM-022Z	ZS15KAE	CFV TFC	R-134a	6960	7870	8860	9930	11100	12400	13800	15300	17000	18800
				R-22	10800	12300	13800	15400	17000	18800	20600	22500	24600	26900
				R-404A	12400	13700	15200	16700	18300	20100	21900	23900	25900	28100
				R-407A	10800	12100	13500	15100	16800	18600	20500	22600	24800	27100
				R-407C	10100	11300	12700	14100	15700	17500	19300	21300	23500	25800
R-448A/R-449A	11000	12300	13700	15200	16900	18600	20500	22600	24800	27100				
R-507	12800	14200	15600	17200	18800	20600	22400	24400	26400	28600				

NOTE: All XFAM data also applies to XFAP models.

Area Restrictions: 20°F Max Superheat Area Restrictions: 40°F Max Return Gas Temp

Medium Temp – Air-Cooled

95° Ambient														
HP	Model	Compressor	Electrical	Refrigerant	Capacity (BTU/Hr) @ SST, 40°F RG (65°F RG in Bold), 5°F Subcooling									
					0	5	10	15	20	25	30	35	40	45
2 1/2	XFAM-025Z	ZS19KAE	CFV TFC	R-134a	7750	8750	9840	11000	12300	13700	15300	17000	18800	20700
				R-22	12100	13700	15400	17100	18900	20800	22800	24900	27200	29700
				R-404A	13800	15300	16900	18600	20400	22200	24200	26300	28500	30800
				R-407A	11800	13300	14900	16600	18500	20400	22600	24900	27400	30000
				R-407C	11100	12500	14000	15600	17400	19300	21300	23500	25900	28400
				R-448A/R-449A	12100	13500	15100	16800	18600	20600	22700	24900	27300	29800
				R-507	14300	15800	17400	19000	20800	22700	24700	26800	29000	31300
3	XFAM-030Z	ZS21KAE	CFV TFC	R-134a	10800	12200	13700	15300	17100	19000	21100	23300	25700	28300
				R-22	17600	19400	21400	23600	25900	28300	31000	33700	36700	39800
				R-404A	18700	20700	22700	24900	27100	29500	32000	34600	37300	40200
				R-407A	16500	18400	20500	22800	25200	27700	30500	33400	36400	39700
				R-407C	15500	17400	19400	21500	23900	26300	29000	31800	34800	38000
				R-448A/R-449A	16800	18700	20800	23000	25400	27900	30600	33400	36400	39500
				R-507	19400	21400	23500	25600	27900	30300	32800	35400	38100	40800
3 1/4	XFAM-033Z	ZS26KAE	CFV TFC	R-134a	11000	12500	14000	15700	17500	19400	21600	23800	26300	28900
				R-22		19900	21900	24100	26400	28900	31600	34400	37400	40600
				R-404A	19100	21100	23200	25400	27700	30100	32600	35300	38000	40900
				R-407A	16900	18800	21000	23300	25700	28300	31100	34000	37100	40400
				R-407C	15900	17800	19800	22000	24400	26900	29600	32500	35500	38800
				R-448A/R-449A	17200	19100	21200	23500	25900	28400	31200	34000	37100	40200
				R-507	19900	21900	24000	26200	28500	30900	33400	36000	38700	41500
3 3/4	XFAM-037Z	ZS29KAE	CFV TFC	R-134a	12400	14000	15700	17600	19600	21700	24000	26500	29200	32100
				R-22		22300	24600	27000	29600	32300	35300	38300	41600	45000
				R-404A	21400	23500	25800	28200	30700	33300	35900	38700	41600	44600
				R-407A	18800	21000	23400	25900	28600	31400	34500	37700	41000	44500
				R-407C	17800	19900	22200	24600	27200	29900	32900	36000	39300	42800
				R-448A/R-449A	19200	21400	23700	26200	28800	31600	34600	37700	40900	44300
				R-507	22100	24300	26600	29000	31500	34000	36700	39400	42200	45200
4 1/2	XFAM-045Z	ZS33KAE	CFV TFC TFD	R-134a	14200	16100	18000	20200	22500	25000	27800	30700	33900	37300
				R-22	23100	25600	28200	31000	34100	37300	40800	44600	48500	53000
				R-404A	24600	27200	29900	32800	35800	39000	42400	45900	49700	53500
				R-407A	21700	24200	27000	29900	33100	36500	40200	44100	48200	52500
				R-407C	22000	24600	27300	30300	33400	36800	40400	44200	48200	52500
				R-448A/R-449A	22000	24500	27200	30200	33300	36700	40300	44100	48100	52500
				R-507	25600	28200	30900	33800	36900	40100	43400	47000	50500	54500
5	XFAM-050Z	ZS38K4E	CFV TFC TFD	R-134a	16600	18800	21100	23600	26300	29200	32400	35800	39500	43300
				R-22			32200	35500	39000	42700	46700	51000	55000	60000
				R-404A	28900	31800	35000	38300	41800	45600	49600	53500	58000	62500
				R-407A	25500	28400	31600	35100	38800	42800	47100	51500	56500	61500
				R-407C	23900	26800	29800	33100	36700	40600	44700	49100	54000	59000
				R-448A/R-449A	25900	28800	32000	35400	39100	43000	47200	51500	56500	61500
				R-507	30100	33100	36200	39600	43100	46900	51000	55000	59500	64000
6	XFAM-060Z	ZS45K4E	TFC TFD	R-134a	19700	22200	24900	27800	31000	34400	38100	42000	46100	50500
				R-22				42000	46100	50500	55000	60000	65500	70500
				R-404A	33900	37200	40800	44500	48500	52500	57000	61500	66500	71500
				R-407A	30000	33400	37100	41100	45300	49900	54500	60000	65000	71000
				R-407C	28200	31500	35000	38800	42900	47400	52000	57000	62500	68000
				R-448A/R-449A	30500	33900	37500	41400	45600	50000	55000	60000	65000	70500
				R-507	35200	38600	42200	46000	49900	54000	58500	63000	68000	73000

NOTE: All XFAM data also applies to XFAP models.

Area Restrictions: 20°F Max Superheat Area Restrictions: 40°F Max Return Gas Temp

Medium Temp – Air-Cooled

100° Ambient															
HP	Model	Compressor	Electrical	Refrigerant	Capacity (BTU/Hr) @ SST, 40°F RG (65°F RG in Bold), 5°F Subcooling										
					0	5	10	15	20	25	25	30	35	40	45
3/4	XFAM-008Z	ZB06KAE	CFV TFC	R-134a	2470	2810	3190	3610	4070	4570	4660	5220	5830	6490	7210
				R-404A	4470	4980	5530	6130	6780	7490	7790	8580	9430	10300	11300
				R-407A	3920	4410	4960	5560	6220	6940	7070	7860	8730	9680	10700
				R-407C	3680	4150	4670	5240	5880	6570	6660	7420	8250	9160	10100
				R-448A/R-449A	4020	4510	5060	5660	6310	7030	7160	7950	8810	9740	10800
				R-507	4550	5060	5620	6230	6880	7590	7930	8720	9580	10500	11500
1	XFAM-010Z	ZB07KAE	CFV TFC	R-134a	2980	3370	3810	4310	4850	5460	5570	6240	6970	7760	8620
				R-404A	5330	5930	6590	7300	8080	8920	9270	10200	11200	12300	13400
				R-407A	4700	5290	5940	6660	7440	8300	8450	9400	10400	11500	12800
				R-407C	4400	4970	5590	6280	7030	7860	7970	8880	9870	10900	12100
				R-448A/R-449A	4800	5400	6050	6760	7540	8390	8550	9490	10500	11600	12800
				R-507	5440	6050	6710	7430	8210	9050	9450	10400	11400	12500	13700
1 1/4	XFAM-012Z	ZB08KAE	CFV TFC	R-134a	3460	3920	4430	5000	5640	6340	6470	7250	8100	9030	10000
				R-404A	6190	6890	7650	8470	9360	10300	10700	11800	13000	14200	15500
				R-407A	5480	6160	6910	7730	8640	9630	9810	10900	12100	13400	14800
				R-407C	5130	5780	6500	7300	8170	9120	9260	10300	11400	12700	14000
				R-448A/R-449A	5520	6210	6980	7830	8750	9740	9920	11000	12200	13500	14800
				R-507	5950	6650	7390	8190	9080	10100	11000	12000	13200	14400	15800
1 1/2	XFAM-015Z	ZS09KAE	CFV TFC	R-134a	3920	4440	5010	5650	6340	7120	7260	8110	9050	10100	11200
				R-22	6610	7340	8160	9060	10100	11100	11100	12300	13600	14900	16400
				R-404A	6900	7680	8520	9440	10400	11500	12000	13100	14400	15800	17200
				R-407A	6080	6830	7670	8590	9610	10700	10900	12100	13400	14900	16400
				R-407C	5760	6470	7270	8140	9100	10200	10300	11500	12700	14100	15600
				R-448A/R-449A	6240	6990	7830	8740	9740	10800	11000	12200	13500	14900	16400
				R-507	7140	7940	8810	9730	10700	11800	12300	13500	14800	16200	17700
1 3/4	XFAM-017Z	ZS11KAE	CFV TFC	R-134a	4610	5220	5890	6630	7450	8360	8520	9530	10600	11800	13100
				R-22	7770	8650	9610	10700	11800	13100	13100	14400	15900	17400	19100
				R-404A	8110	9020	10000	11000	12200	13400	14000	15300	16800	18300	20000
				R-407A	7180	8060	9040	10100	11300	12600	12800	14200	15700	17400	19100
				R-407C	6740	7570	8500	9530	10700	11900	12100	13400	14900	16400	18100
				R-448A/R-449A	7320	8200	9170	10200	11400	12700	12900	14300	15800	17500	19200
				R-507	8410	9360	10400	11400	12600	13800	14500	15800	17300	18900	20600
2	XFAM-020Z	ZS13KAE	CFV TFC	R-134a	5330	6020	6790	7630	8570	9590	9780	10900	12200	13500	15000
				R-22	8950	9980	11100	12300	13600	15000	15000	16500	18100	19800	21700
				R-404A	9280	10300	11400	12600	13900	15200	15900	17400	19000	20700	22600
				R-407A	8280	9280	10400	11600	12900	14400	14600	16200	17900	19800	21700
				R-407C	7790	8740	9800	11000	12200	13600	13800	15300	16900	18700	20600
				R-448A/R-449A	8440	9430	10500	11700	13000	14500	14700	16300	18000	19800	21700
				R-507	9690	10800	11900	13100	14400	15800	16500	18100	19700	21500	23400
2 1/4	XFAM-022Z	ZS15KAE	CFV TFC	R-134a	6630	7490	8430	9460	10600	11800	12000	13400	14900	16500	18300
				R-22	10500	12000	13500	15000	16600	18300	18300	20100	22000	24000	26200
				R-404A	11400	12700	14000	15400	16900	18500	19200	21000	22900	24800	26900
				R-407A	10300	11500	12900	14300	15900	17600	17900	19800	21800	23900	26200
				R-407C	9630	10800	12100	13500	15000	16700	16900	18700	20700	22800	25000
				R-448A/R-449A	10400	11700	13000	14400	16000	17700	18000	19900	21800	23900	26200
				R-507	11700	12900	14300	15700	17200	18800	19700	21500	23400	25400	27500
2 1/2	XFAM-025Z	ZS19KAE	CFV TFC	R-134a	7370	8320	9360	10500	11700	13100	13300	14800	16500	18200	20100
				R-22		13300	15000	16700	18400	20300	20300	22200	24300	26500	28900
				R-404A	12800	14100	15600	17100	18700	20400	21300	23200	25200	27300	29500
				R-407A	11200	12600	14100	15800	17500	19400	19800	21800	24100	26400	29000
				R-407C	10600	12000	13400	14900	16600	18400	18700	20700	22800	25100	27500
				R-448A/R-449A	11500	12800	14300	15900	17600	19500	19900	21900	24100	26400	28800
				R-507	13000	14400	15900	17400	19100	20800	21800	23700	25800	27900	30200
3	XFAM-030Z	ZS21KAE	CFV TFC	R-134a	10300	11600	13000	14600	16200	18100	18400	20400	22600	24900	27400
				R-22		18900	20900	22900	25100	27500	27600	30100	32800	35700	38700
				R-404A	17200	19000	20800	22800	24800	27000	28200	30600	33100	35700	38400
				R-407A	15600	17400	19400	21500	23800	26200	26800	29400	32200	35100	38200
				R-407C	14800	16600	18500	20500	22700	25100	25500	28000	30800	33600	36700
				R-448A/R-449A	15900	17700	19700	21800	24000	26300	26900	29500	32200	35100	38100
				R-507	17800	19600	21500	23500	25600	27800	29200	31600	34100	36700	39400
3 1/4	XFAM-033Z	ZS26KAE	CFV TFC	R-134a	10500	11800	13300	14900	16600	18500	18900	20900	23100	25500	28000
				R-22			21300	23400	25700	28100	28200	30700	33500	36300	39400
				R-404A	17600	19400	21200	23200	25300	27500	28800	31200	33700	36300	39000
				R-407A	16000	17800	19800	22000	24300	26700	27300	30000	32800	35800	38900
				R-407C	15200	16900	18900	20900	23200	25600	26000	28600	31400	34300	37400
				R-448A/R-449A	16200	18100	20100	22200	24400	26800	27400	30100	32800	35700	38800
				R-507	18200	20000	22000	24000	26200	28400	29800	32200	34700	37300	40000

NOTE: All XFAM data also applies to XFAP models.

Area Restrictions: 20°F Max Superheat Area Restrictions: 40°F Max Return Gas Temp

Medium Temp – Air-Cooled

100° Ambient															
HP	Model	Compressor	Electrical	Refrigerant	Capacity (BTU/Hr) @ SST, 40°F RG (65°F RG in Bold), 5°F Subcooling										
					0	5	10	15	20	25	25	30	35	40	45
3 3/4	XFAM-037Z	ZS29KAE	CFV TFC	R-134a	11800	13300	14900	16700	18600	20600	21100	23300	25700	28300	31100
				R-22			23900	26200	28700	31400	31500	34300	37300	40400	43700
				R-404A	19600	21600	23600	25800	28000	30300	31800	34400	37000	39800	42600
				R-407A	17800	19900	22100	24400	27000	29600	30300	33200	36300	39500	42800
				R-407C	17000	19000	21100	23400	25800	28400	28900	31800	34800	37900	41300
				R-448A/R-449A	18200	20200	22400	24700	27200	29800	30500	33300	36300	39400	42700
4 1/2	XFAM-045Z	ZS33KAE	CFV TFC TFD	R-134a	13500	15300	17100	19200	21400	23800	24300	26900	29800	32900	36200
				R-22		24900	27400	30200	33100	36300	36400	39700	43300	47200	51500
				R-404A	22600	25000	27400	30000	32800	35700	37400	40600	44000	47600	51500
				R-407A	20500	22900	25500	28300	31300	34500	35300	38800	42500	46500	50500
				R-407C	21000	23400	26000	28800	31700	34900	35500	38900	42600	46500	50500
				R-448A/R-449A	20800	23200	25700	28500	31500	34600	35400	38900	42500	46400	50500
5	XFAM-050Z	ZS38K4E	CFV TFC TFD	R-134a	15900	17900	20100	22500	25100	27900	28400	31500	34800	38300	42100
				R-22				34500	37900	41500	41600	45400	49500	54000	58500
				R-404A	26700	29400	32200	35300	38500	41900	43700	47500	51500	55500	60000
				R-407A	24300	27000	30000	33300	36800	40600	41300	45400	49800	54500	59500
				R-407C	22900	25600	28500	31700	35100	38800	39300	43300	47500	52000	57000
				R-448A/R-449A	24700	27500	30400	33700	37100	40800	41600	45600	49900	54500	59500
6	XFAM-060Z	ZS45K4E	TFC TFD	R-134a	18800	21200	23700	26500	29500	32800	33400	36900	40700	44800	49100
				R-22					44800	49100	49200	53500	58500	63500	68500
				R-404A	31200	34300	37500	40900	44500	48300	50500	54500	59000	63500	68500
				R-407A	28600	31800	35200	39000	43000	47200	48100	52500	57500	63000	68500
				R-407C	27000	30100	33500	37100	41000	45200	45800	50500	55000	60500	65500
				R-448A/R-449A	29000	32200	35600	39300	43200	47400	48300	53000	57500	62500	68000
R-507	32400	35500	38800	42400	46000	49900	52000	56500	61000	65500	70000				

NOTE: All XFAM data also applies to XFAP models.

NOTE: All XFAM data also applies to XFAP models.

Medium Temp – Air-Cooled

110° Ambient

HP	Model	Compressor	Electrical	Refrigerant	Capacity (BTU/Hr) @ SST, 40°F RG (65°F RG in Bold), 5°F Subcooling										
					0	5	10	15	20	25	25	30	35	40	45
3/4	XFAM-008Z	ZB06KAE	CFV TFC	R-134a	2310	2640	2990	3380	3810	4290	4390	4920	5490	6110	6790
				R-404A	4080	4530	5030	5570	6150	6790	7120	7840	8620	9450	10400
				R-407A	3660	4110	4610	5160	5770	6430	6590	7330	8140	9020	9980
				R-407C	3460	3890	4370	4900	5480	6130	6240	6960	7740	8590	9510
				R-448A/R-449A	3760	4210	4710	5260	5870	6530	6680	7420	8220	9100	10100
				R-507	4180	4640	5140	5690	6280	6920	7290	8010	8790	9620	10500
1	XFAM-010Z	ZB07KAE	CFV TFC	R-134a	2800	3170	3580	4040	4550	5110	5240	5870	6550	7300	8110
				R-404A	4860	5400	5990	6630	7330	8080	8480	9330	10200	11200	12300
				R-407A	4390	4930	5530	6180	6900	7700	7880	8760	9720	10800	11900
				R-407C	4140	4660	5230	5860	6560	7330	7470	8320	9240	10200	11300
				R-448A/R-449A	4500	5040	5640	6290	7010	7800	7980	8860	9810	10800	12000
				R-507	4990	5540	6130	6780	7480	8240	8680	9530	10500	11400	12500
1 1/4	XFAM-012Z	ZB08KAE	CFV TFC	R-134a	3260	3680	4160	4690	5280	5940	6090	6820	7620	8490	9430
				R-404A	5640	6270	6950	7690	8490	9350	9820	10800	11800	13000	14200
				R-407A	5110	5740	6420	7180	8010	8920	9130	10100	11300	12500	13800
				R-407C	4830	5430	6090	6820	7620	8500	8670	9640	10700	11900	13100
				R-448A/R-449A	5150	5790	6500	7280	8120	9020	9250	10300	11400	12500	13800
				R-507	5470	6100	6760	7480	8260	9130	10100	11000	12100	13200	14400
1 1/2	XFAM-015Z	ZS09KAE	CFV TFC	R-134a	3700	4180	4710	5290	5940	6660	6820	7620	8510	9470	10500
				R-22		7040	7780	8600	9510	10500	10500	11600	12800	14100	15400
				R-404A	6280	6980	7740	8560	9450	10400	10900	12000	13200	14400	15700
				R-407A	5670	6360	7120	7960	8890	9910	10100	11300	12500	13800	15300
				R-407C	5410	6070	6800	7610	8490	9470	9640	10700	11900	13200	14600
				R-448A/R-449A	5840	6530	7290	8120	9040	10000	10300	11400	12600	13900	15300
				R-507	6540	7270	8040	8870	9770	10700	11300	12400	13600	14800	16200
1 3/4	XFAM-017Z	ZS11KAE	CFV TFC	R-134a	4350	4910	5530	6220	6980	7820	8020	8960	9990	11100	12300
				R-22			9170	10100	11200	12400	12400	13600	15000	16500	18000
				R-404A	7380	8200	9080	10000	11000	12100	12800	14000	15300	16700	18300
				R-407A	6710	7510	8390	9370	10400	11600	11900	13200	14600	16200	17800
				R-407C	6340	7100	7950	8900	9930	11100	11300	12500	13900	15400	17000
				R-448A/R-449A	6850	7650	8530	9500	10600	11700	12000	13300	14700	16300	17900
				R-507	7690	8550	9450	10400	11400	12500	13200	14500	15800	17200	18800
2	XFAM-020Z	ZS13KAE	CFV TFC	R-134a	5040	5680	6390	7170	8030	8980	9200	10300	11400	12700	14100
				R-22			10600	11700	12900	14200	14200	15600	17100	18700	20500
				R-404A	8460	9380	10400	11400	12600	13800	14500	15900	17400	18900	20600
				R-407A	7730	8640	9650	10800	12000	13300	13600	15100	16700	18400	20200
				R-407C	7320	8200	9170	10200	11400	12700	12900	14300	15800	17500	19300
				R-448A/R-449A	7900	8810	9810	10900	12100	13400	13700	15200	16800	18400	20200
				R-507	8850	9820	10800	11900	13100	14300	15100	16500	17900	19500	21200
2 1/4	XFAM-022Z	ZS15KAE	CFV TFC	R-134a	6240	7040	7920	8870	9920	11100	11300	12600	14000	15500	17200
				R-22			12800	14300	15800	17400	17400	19100	20900	22800	24800
				R-404A	10400	11500	12700	14000	15300	16700	17600	19200	20800	22600	24500
				R-407A	9590	10700	11900	13300	14700	16300	16700	18400	20300	22200	24300
				R-407C	9020	10100	11300	12600	14000	15500	15800	17500	19300	21300	23400
				R-448A/R-449A	9730	10900	12100	13400	14900	16400	16800	18500	20300	22300	24400
				R-507	10700	11800	13000	14200	15600	17000	17900	19500	21200	23000	24900
2 1/2	XFAM-025Z	ZS19KAE	CFV TFC	R-134a	6940	7820	8780	9830	11000	12200	12500	13900	15400	17100	18900
				R-22			14200	15800	17500	19200	19300	21100	23100	25200	27400
				R-404A	11600	12800	14200	15500	17000	18500	19500	21200	23000	24800	26800
				R-407A	10400	11700	13100	14600	16200	18000	18400	20300	22400	24600	27000
				R-407C	9970	11200	12500	13900	15500	17200	17500	19400	21300	23400	25700
				R-448A/R-449A	10700	12000	13300	14800	16300	18000	18500	20400	22400	24500	26800
				R-507	11900	13100	14400	15800	17200	18700	19800	21500	23300	25200	27200
3	XFAM-030Z	ZS21KAE	CFV TFC	R-134a		10900	12200	13600	15200	16900	17300	19200	21200	23400	25700
				R-22				21700	23800	25900	26100	28400	30900	33600	36400
				R-404A	15600	17200	18800	20600	22400	24300	25700	27900	30100	32500	34900
				R-407A	14500	16200	18000	19900	21900	24100	24800	27200	29700	32400	35300
				R-407C	13900	15500	17300	19100	21100	23300	23700	26100	28600	31300	34100
				R-448A/R-449A	14800	16400	18200	20100	22100	24300	25000	27300	29800	32400	35200
				R-507	16100	17700	19400	21100	22900	24800	26300	28400	30600	32800	35100
3 1/4	XFAM-033Z	ZS26KAE	CFV TFC	R-134a		11100	12400	13900	15500	17200	17700	19600	21600	23800	26200
				R-22				22200	24200	26400	26600	29000	31500	34200	37000
				R-404A	15900	17500	19200	21000	22800	24800	26200	28400	30600	33000	35500
				R-407A	14800	16500	18300	20300	22400	24600	25300	27700	30300	33000	35800
				R-407C	14200	15900	17600	19500	21500	23700	24200	26600	29100	31800	34700
				R-448A/R-449A	15000	16800	18600	20500	22600	24700	25400	27800	30400	33000	35800
				R-507	16400	18000	19700	21500	23400	25300	26800	28900	31100	33300	35500

NOTE: All XFAM data also applies to XFAP models.

Area Restrictions: 20°F Max Superheat Area Restrictions: 40°F Max Return Gas Temp

Medium Temp – Air-Cooled

110° Ambient

HP	Model	Compressor	Electrical	Refrigerant	Capacity (BTU/Hr) @ SST, 40°F RG (65°F RG in Bold), 5°F Subcooling										
					0	5	10	15	20	25	25	30	35	40	45
3 3/4	XFAM-037Z	ZS29KAE	CFV TFC	R-134a		12500	13900	15600	17300	19200	19700	21800	24000	26400	29000
				R-22					27100	29600	29800	32400	35100	38100	41100
				R-404A	17600	19400	21300	23200	25200	27300	28900	31200	33600	36100	
				R-407A	16600	18400	20400	22600	24900	27300	28100	30700	33500	36400	39500
				R-407C	16000	17800	19700	21800	24000	26400	27000	29500	32300	35200	38300
				R-448A/R-449A	16900	18700	20700	22800	25100	27500	28300	30900	33600	36500	39500
				R-507	18200	20000	21900	23800	25700	27700	29400	31600	33800	36000	
4 1/2	XFAM-045Z	ZS33KAE	CFV TFC TFD	R-134a		14300	16000	17900	20000	22200	22800	25200	27900	30800	33900
				R-22				28600	31300	34200	34400	37500	40900	44500	48300
				R-404A	20500	22600	24800	27200	29600	32200	34100	37000	40100	43300	46700
				R-407A	19100	21300	23700	26200	28900	31800	32700	35900	39400	43000	46900
				R-407C	19500	21700	24100	26600	29400	32300	32900	36100	39500	43100	46900
				R-448A/R-449A	19300	21500	23900	26400	29100	32000	32900	36100	39500	43100	46900
				R-507	21100	23300	25500	27900	30300	32900	34900	37700	40800	43900	47200
5	XFAM-050Z	ZS38K4E	CFV TFC TFD	R-134a	14900	16800	18800	21100	23500	26100	26700	29600	32700	36000	39600
				R-22						39000	39300	42900	46700	50500	55000
				R-404A	24200	26700	29200	32000	34900	37900	39900	43400	47100	51000	55000
				R-407A	22500	25100	27800	30800	34000	37500	38300	42100	46200	50500	55000
				R-407C	21500	23900	26600	29500	32700	36100	36700	40400	44400	48600	53000
				R-448A/R-449A	23000	25500	28200	31200	34300	37700	38600	42300	46300	50500	55000
				R-507	25000	27500	30100	32800	35700	38800	40900	44300	48000	52000	56000
6	XFAM-060Z	ZS45K4E	TFC TFD	R-134a	17600	19800	22200	24800	27600	30600	31300	34700	38200	42000	46100
				R-22								50500	55000	60000	65000
				R-404A	28300	31100	33900	37000	40200	43600	46000	49800	54000	58000	62500
				R-407A	26600	29500	32600	36000	39600	43500	44500	48800	53500	58000	63000
				R-407C	25200	28100	31200	34500	38100	41900	42700	46900	51500	56000	61000
				R-448A/R-449A	27000	29900	33000	36300	39900	43700	44800	49000	53500	58000	63000
				R-507	29300	32000	34900	38000	41100	44500	47000	51000	54500	58500	63000

NOTE: All XFAM data also applies to XFAP models.

NOTE: All XFAM data also applies to XFAP models.

Area Restrictions: 20°F Max Superheat Area Restrictions: 40°F Max Return Gas Temp

Low Temp – Air-Cooled

90° Ambient													
HP	Model	Compressor	Electrical	Refrigerant	Capacity (BTU/Hr) @ SST, 40°F RG (65°F RG in Bold), 5°F Subcooling								
					-40	-35	-30	-25	-20	-15	-10	-5	0
3/4	XFAL-008Z	ZF03KAE	CFV TFC	R-404A	2070	2310	2590	2910	3280	3700	4180	4730	5340
				R-407A	1800	2010	2260	2530	2850	3210	3620	4090	4620
				R-407C	1720	1910	2130	2380	2670	3010	3390	3830	4330
				R-448A/R-449A	1860	2100	2370	2660	2980	3350	3770	4250	4790
				R-507	2140	2390	2680	3010	3390	3830	4330	4890	5530
1	XFAL-009Z	ZF04KAE	CFV TFC	R-404A	2670	3000	3400	3870	4420	5040	5720	6480	7300
				R-407A	2230	2510	2850	3270	3760	4320	4950	5650	6420
				R-407C	2070	2330	2650	3040	3490	4010	4600	5260	5970
				R-448A/R-449A	2310	2620	2990	3430	3940	4510	5150	5840	6600
				R-507	2760	3100	3520	4010	4570	5210	5920	6700	7540
	XFAL-010Z	ZF05KAE	CFV TFC	R-404A	3200	3650	4170	4750	5410	6130	6910	7760	8670
				R-407A	2540	2900	3340	3860	4450	5120	5860	6680	7570
				R-407C	2360	2700	3110	3590	4150	4780	5470	6240	7070
				R-448A/R-449A	2680	3080	3550	4080	4690	5360	6100	6910	7780
				R-507	3310	3780	4310	4920	5590	6330	7140	8020	8960
1 1/4	XFAL-012Z	ZF07KAE	CFV TFC	R-404A	4880	5710	6580	7480	8450	9490	10600	11900	13200
				R-407A	4090	4790	5530	6320	7170	8100	9130	10300	11500
				R-407C	3670	4420	5130	5840	6590	7400	8320	9370	10600
				R-448A/R-449A	4240	4940	5660	6420	7250	8160	9180	10300	11600
				R-507	5040	5910	6800	7730	8730	9810	11000	12300	13700
2	XFAL-020Z	ZXI06KCE	CFV TFC	R-404A	5700	6960	8210	9450	10690	11920	13140	14360	15570
				R-407A	3742	4360	5147	6075	7120	8254	9452	10688	11936
				R-407C	5046	5060	5768	6433	7407	8405	9407	10392	11342
				R-448A/R-449A	5442	6217	7089	8057	9123	10285	11544	12901	14354
				R-507	9700	11100	12600	14200	15900	17700	19700	21700	23900
3	XFAL-030Z	ZXI09KCE	TFC	R-404A	7840	9390	10950	12500	14060	15620	17170	18730	20280
				R-407A	5735	6537	7698	8998	10422	11953	13575	15269	17022
				R-407C	4831	5800	6881	8071	9367	10766	12265	13860	15550
				R-448A/R-449A	6316	7537	8805	10119	11480	12887	14340	15840	17387
				R-507	7840	9390	10950	12500	14060	15620	17170	18730	20280
3 1/2	XFAL-035Z	ZXI11KCE	CFV TFC	R-404A	9700	11100	12600	14200	15900	17700	19700	21700	23900
				R-407A	7173	8417	9816	11356	13024	14805	16685	18652	20691
				R-407C	6662	7697	8886	10223	11704	13323	15076	16956	18960
				R-448A/R-449A	7146	8630	10200	11860	13609	15452	17388	19421	21553
				R-507	9700	11100	12600	14200	15900	17700	19700	21700	23900
4	XFAL-040Z	ZXI14KCE	CFV TFC	R-404A	12690	14430	16280	18240	20300	22470	24740	27120	29610
				R-407A	10387	11920	13591	15402	17351	19438	21663	24026	26525
				R-407C	9664	10970	12469	14151	16007	18029	20207	22533	24998
				R-448A/R-449A	11312	12932	14721	16676	18791	21064	23490	26065	28786
				R-507	12690	14430	16280	18240	20300	22470	24740	27120	29610
5	XFAL-050Z	ZXI15KCE	TFC	R-404A	14030	16040	18140	20350	22660	25060	27570	30170	32880
				R-407A	10486	12164	13981	15940	18044	20296	22697	25251	27960
				R-407C	9602	11023	12688	14570	16639	18870	21233	23701	26247
				R-448A/R-449A	12334	14164	16198	18434	20869	23504	26336	29365	32588
				R-507	14030	16040	18140	20350	22660	25060	27570	30170	32880
	XFAL-051Z	ZXI16KCE	CFV	R-404A	14030	16040	18140	20350	22660	25060	27570	30170	32880
				R-407A	10791	12485	14352	16392	18604	20988	23545	26274	29176
				R-407C	7687	10396	13104	15813	18521	21230	23938	26646	29355
				R-448A/R-449A	13019	14673	16461	18368	20380	22483	24664	26908	29201
				R-507	14030	16040	18140	20350	22660	25060	27570	30170	32880
6	XFAL-060Z	ZXI18KCE	TFC	R-404A	18000	20500	23000	25700	28600	31600	34700	38100	41500
				R-407A	13901	16077	18450	21019	23784	26744	29901	33254	36803
				R-407C	11841	13666	15706	17962	20434	23120	26023	29141	32474
				R-448A/R-449A	13050	15021	17217	19638	22284	25155	28252	31573	35120
				R-507	18000	20500	23000	25700	28600	31600	34700	38100	41500

Low Temp – Air-Cooled

95° Ambient													
HP	Model	Compressor	Electrical	Refrigerant	Capacity (BTU/Hr) @ SST, 40°F RG (65°F RG in Bold), 5°F Subcooling								
					-40	-35	-30	-25	-20	-15	-10	-5	0
3/4	XFAL-008Z	ZF03KAE	CFV TFC	R-404A	2110	2360	2640	2960	3330	3750	4230	4770	5390
				R-407A	1780	2000	2240	2510	2830	3180	3580	4040	4550
				R-407C	1700	1890	2110	2360	2650	2980	3360	3790	4270
				R-448A/R-449A	1840	2090	2350	2640	2960	3330	3740	4200	4730
				R-507	2150	2390	2680	3010	3380	3810	4290	4850	5470
1	XFAL-009Z	ZF04KAE	CFV TFC	R-404A	2720	3050	3450	3930	4470	5080	5770	6520	7340
				R-407A	2230	2490	2830	3240	3720	4270	4890	5570	6330
				R-407C	2070	2320	2630	3010	3450	3960	4540	5170	5880
				R-448A/R-449A	2310	2610	2970	3410	3900	4460	5080	5760	6510
				R-507	2760	3090	3500	3980	4540	5160	5860	6630	7480
	XFAL-010Z	ZF05KAE	CFV TFC	R-404A	3250	3700	4220	4800	5460	6170	6960	7800	8710
				R-407A	2530	2890	3320	3820	4400	5060	5780	6590	7460
				R-407C	2350	2680	3090	3560	4100	4710	5390	6140	6960
				R-448A/R-449A	2670	3060	3520	4050	4640	5300	6020	6810	7660
				R-507	3300	3760	4280	4880	5550	6280	7090	7960	8890
1 1/4	XFAL-012Z	ZF07KAE	CFV TFC	R-404A	4930	5770	6640	7540	8510	9540	10700	11900	13300
				R-407A	4060	4760	5490	6260	7100	8020	9020	10100	11400
				R-407C	3640	4380	5080	5780	6510	7310	8210	9230	10400
				R-448A/R-449A	4210	4900	5620	6370	7180	8070	9070	10200	11400
				R-507	5010	5880	6760	7690	8690	9760	10900	12200	13600
2	XFAL-020Z	ZXI06KCE	CFV TFC	R-404A	5670	6900	8115	9325	10530	11725	12910	14095	15270
				R-407A	3630	4224	4989	5898	6927	8047	9234	10461	11703
				R-407C	4942	5003	5661	6350	7233	8160	9111	10064	11001
				R-448A/R-449A	5245	6029	6903	7866	8919	10061	11292	12614	14024
				R-507	9395	10700	12150	13650	15300	17000	18900	20850	22900
3	XFAL-030Z	ZXI09KCE	TFC	R-404A	7390	8955	10525	12090	13660	15230	16795	18365	19930
				R-407A	5667	6544	7680	8955	10354	11859	13455	15124	16851
				R-407C	4631	5583	6647	7818	9094	10472	11949	13521	15186
				R-448A/R-449A	6131	7267	8469	9736	11069	12468	13931	15460	17056
				R-507	7390	8955	10525	12090	13660	15230	16795	18365	19930
3 1/2	XFAL-035Z	ZXI11KCE	CFV TFC	R-404A	9395	10700	12150	13650	15300	17000	18900	20850	22900
				R-407A	6948	8143	9495	10991	12617	14358	16201	18133	20139
				R-407C	6361	7359	8511	9812	11256	12839	14555	16399	18367
				R-448A/R-449A	7135	8541	10052	11672	13400	15241	17195	19266	21456
				R-507	9395	10700	12150	13650	15300	17000	18900	20850	22900
4	XFAL-040Z	ZXI14KCE	CFV TFC	R-404A	12530	14205	15995	17890	19890	22000	24210	26530	28955
				R-407A	10188	11664	13275	15023	16906	18924	21078	23366	25788
				R-407C	9513	10791	12253	13890	15692	17652	19760	22007	24384
				R-448A/R-449A	10985	12576	14329	16240	18303	20515	22872	25368	28001
				R-507	12530	14205	15995	17890	19890	22000	24210	26530	28955
5	XFAL-050Z	ZXI15KCE	TFC	R-404A	13570	15500	17520	19645	21870	24190	26615	29135	31760
				R-407A	10181	11835	13623	15547	17611	19816	22165	24661	27307
				R-407C	9517	10835	12397	14175	16142	18270	20530	22896	25340
				R-448A/R-449A	12049	13845	15833	18012	20378	22930	25664	28578	31670
				R-507	13570	15500	17520	19645	21870	24190	26615	29135	31760
	XFAL-051Z	ZXI16KCE	CFV	R-404A	13570	15500	17520	19645	21870	24190	26615	29135	31760
				R-407A	10588	12209	14008	15985	18140	20472	22982	25670	28536
				R-407C	8511	10832	13220	15674	18196	20785	23440	26162	28952
				R-448A/R-449A	12492	14162	15976	17922	19988	22164	24438	26800	29237
				R-507	13570	15500	17520	19645	21870	24190	26615	29135	31760
6	XFAL-060Z	ZXI18KCE	TFC	R-404A	17620	19990	22465	25040	27815	30690	33720	36950	39850
				R-407A	13601	15674	17963	20468	23187	26121	29270	32635	36215
				R-407C	11493	13301	15311	17524	19939	22556	25377	28400	31625
				R-448A/R-449A	12680	14629	16798	19187	21797	24627	27677	30948	34439
				R-507	17620	19990	22465	25040	27815	30690	33720	36950	39850

Low Temp – Air-Cooled

100° Ambient													
HP	Model	Compressor	Electrical	Refrigerant	Capacity (BTU/Hr) @ SST, 40°F RG (65°F RG in Bold), 5°F Subcooling								
					-40	-35	-30	-25	-20	-15	-10	-5	0
3/4	XFAL-008Z	ZF03KAE	CFV TFC	R-404A	1930	2150	2400	2690	3020	3400	3830	4330	4880
				R-407A	1680	1890	2120	2380	2670	3000	3380	3800	4280
				R-407C	1630	1810	2020	2250	2520	2830	3190	3590	4050
				R-448A/R-449A	1740	1980	2230	2500	2800	3140	3530	3960	4460
				R-507	1980	2210	2460	2760	3100	3490	3930	4440	5010
1	XFAL-009Z	ZF04KAE	CFV TFC	R-404A	2470	2760	3120	3550	4040	4610	5240	5930	6690
				R-407A	2110	2360	2670	3050	3510	4020	4610	5260	5980
				R-407C	1980	2210	2500	2850	3270	3760	4300	4910	5580
				R-448A/R-449A	2190	2470	2810	3210	3680	4210	4800	5450	6150
				R-507	2530	2830	3200	3640	4150	4730	5370	6090	6870
	XFAL-010Z	ZF05KAE	CFV TFC	R-404A	2950	3360	3830	4360	4960	5620	6340	7120	7960
				R-407A	2390	2720	3120	3600	4140	4770	5460	6220	7050
				R-407C	2240	2550	2920	3370	3890	4470	5120	5840	6620
				R-448A/R-449A	2520	2880	3320	3820	4380	5000	5690	6440	7250
				R-507	3020	3440	3930	4480	5100	5770	6520	7320	8180
1 1/4	XFAL-012Z	ZF07KAE	CFV TFC	R-404A	4460	5240	6040	6880	7760	8710	9740	10900	12100
				R-407A	3830	4500	5200	5930	6720	7580	8530	9570	10700
				R-407C	3450	4170	4850	5510	6200	6950	7790	8760	9890
				R-448A/R-449A	3990	4650	5320	6030	6790	7630	8560	9610	10800
				R-507	4570	5390	6210	7070	7970	8950	10000	11200	12500
2	XFAL-020Z	ZXI06KCE	CFV TFC	R-404A	5640	6840	8020	9200	10370	11530	12680	13830	14970
				R-407A	3517	4087	4831	5721	6733	7840	9016	10234	11470
				R-407C	4838	4945	5554	6266	7059	7915	8814	9736	10660
				R-448A/R-449A	5047	5841	6716	7674	8714	9836	11040	12326	13694
				R-507	9090	10300	11700	13100	14700	16300	18100	20000	21900
3	XFAL-030Z	ZXI09KCE	TFC	R-404A	6940	8520	10100	11680	13260	14840	16420	18000	19580
				R-407A	5598	6551	7661	8911	10285	11765	13335	14979	16679
				R-407C	4430	5366	6412	7565	8821	10178	11633	13182	14822
				R-448A/R-449A	5946	6997	8133	9353	10658	12048	13522	15080	16724
				R-507	6940	8520	10100	11680	13260	14840	16420	18000	19580
3 1/2	XFAL-035Z	ZXI11KCE	CFV TFC	R-404A	9090	10300	11700	13100	14700	16300	18100	20000	21900
				R-407A	6722	7868	9174	10625	12209	13910	15716	17613	19587
				R-407C	6059	7021	8136	9400	10808	12354	14034	15842	17773
				R-448A/R-449A	7123	8452	9904	11483	13191	15029	17002	19111	21358
				R-507	9090	10300	11700	13100	14700	16300	18100	20000	21900
4	XFAL-040Z	ZXI14KCE	CFV TFC	R-404A	12370	13980	15710	17540	19480	21530	23680	25940	28300
				R-407A	9989	11407	12958	14643	16461	18410	20492	22706	25051
				R-407C	9362	10611	12036	13628	15377	17275	19312	21480	23770
				R-448A/R-449A	10658	12220	13936	15803	17814	19966	22253	24671	27215
				R-507	12370	13980	15710	17540	19480	21530	23680	25940	28300
5	XFAL-050Z	ZXI15KCE	TFC	R-404A	13110	14960	16900	18940	21080	23320	25660	28100	30640
				R-407A	9876	11506	13265	15154	17177	19335	21633	24071	26654
				R-407C	9432	10646	12105	13780	15644	17669	19827	22091	24432
				R-448A/R-449A	11763	13525	15468	17590	19887	22355	24991	27791	30751
				R-507	13110	14960	16900	18940	21080	23320	25660	28100	30640
	XFAL-051Z	ZXI16KCE	CFV	R-404A	13110	14960	16900	18940	21080	23320	25660	28100	30640
				R-407A	10385	11933	13664	15578	17675	19955	22419	25065	27895
				R-407C	9335	11268	13335	15535	17870	20339	22941	25678	28549
				R-448A/R-449A	11965	13651	15491	17475	19595	21844	24212	26691	29272
				R-507	13110	14960	16900	18940	21080	23320	25660	28100	30640
6	XFAL-060Z	ZXI18KCE	TFC	R-404A	17240	19480	21930	24380	27030	29780	32740	35800	38200
				R-407A	13301	15271	17476	19916	22589	25497	28639	32015	35626
				R-407C	11145	12936	14916	17085	19444	21992	24730	27658	30775
				R-448A/R-449A	12310	14236	16378	18736	21309	24098	27102	30322	33758
				R-507	17240	19480	21930	24380	27030	29780	32740	35800	38200

Low Temp – Air-Cooled

110° Ambient													
HP	Model	Compressor	Electrical	Refrigerant	Capacity (BTU/Hr) @ SST, 40°F RG (65°F RG in Bold), 5°F Subcooling								
					-40	-35	-30	-25	-20	-15	-10	-5	0
3/4	XFAL-008Z	ZF03KAE	CFV TFC	R-404A	1790	1990	2210	2460	2750	3090	3470	3910	4410
				R-407A	1570	1780	2000	2240	2510	2810	3150	3540	3970
				R-407C	1540	1710	1910	2120	2370	2660	2980	3350	3770
				R-448A/R-449A	1620	1850	2100	2360	2640	2950	3300	3700	4150
				R-507	1830	2030	2260	2510	2810	3160	3550	4000	4510
1	XFAL-009Z	ZF04KAE	CFV TFC	R-404A	2260	2510	2830	3210	3650	4160	4730	5370	6070
				R-407A	1990	2200	2480	2830	3240	3720	4260	4860	5520
				R-407C	1890	2090	2350	2670	3050	3500	4010	4570	5190
				R-448A/R-449A	2070	2320	2630	3000	3430	3920	4460	5060	5720
				R-507	2310	2560	2880	3270	3730	4250	4840	5490	6210
	XFAL-010Z	ZF05KAE	CFV TFC	R-404A	2670	3040	3470	3950	4500	5100	5760	6470	7240
				R-407A	2250	2540	2900	3330	3830	4400	5040	5750	6520
				R-407C	2120	2400	2740	3150	3630	4170	4770	5440	6170
				R-448A/R-449A	2360	2700	3090	3550	4070	4650	5290	5990	6740
				R-507	2730	3100	3540	4040	4600	5220	5890	6630	7420
1 1/4	XFAL-012Z	ZF07KAE	CFV TFC	R-404A	4020	4750	5490	6240	7040	7880	8800	9820	10900
				R-407A	3520	4160	4810	5500	6230	7010	7880	8830	9880
				R-407C	3210	3910	4560	5180	5820	6500	7270	8160	9190
				R-448A/R-449A	3740	4370	5000	5650	6350	7110	7960	8920	10000
				R-507	4110	4860	5620	6400	7210	8090	9040	10100	11200
2	XFAL-020Z	ZXI06KCE	CFV TFC	R-404A	5500	6610	7710	8810	9890	10970	12040	13100	14160
				R-407A	3117	3650	4361	5225	6215	7305	8469	9681	10916
				R-407C	4468	4740	5174	5749	6444	7242	8120	9060	10042
				R-448A/R-449A	4572	5433	6361	7355	8415	9541	10732	11990	13315
				R-507	5500	6610	7710	8810	9890	10970	12040	13100	14160
3	XFAL-030Z	ZXI09KCE	TFC	R-404A	5830	7420	9010	10590	12180	13770	15350	16940	18530
				R-407A	5354	6239	7281	8462	9767	11178	12679	14253	15884
				R-407C	4014	4911	5915	7023	8232	9539	10942	12437	14021
				R-448A/R-449A	4811	5749	6767	7866	9045	10305	11646	13068	14570
				R-507	5830	7420	9010	10590	12180	13770	15350	16940	18530
3 1/2	XFAL-035Z	ZXI11KCE	CFV TFC	R-404A	9020	10140	11340	12720	14200	15690	17380	19190	21090
				R-407A	6235	7272	8473	9825	11313	12925	14646	16462	18361
				R-407C	5503	6380	7411	8590	9914	11376	12972	14696	16543
				R-448A/R-449A	6085	7307	8643	10096	11666	13355	15166	17098	19155
				R-507	9020	10140	11340	12720	14200	15690	17380	19190	21090
4	XFAL-040Z	ZXI14KCE	CFV TFC	R-404A	11850	13350	14950	16660	18480	20400	22420	24560	26800
				R-407A	9594	10949	12432	14043	15781	17646	19637	21754	23997
				R-407C	8468	9717	11126	12684	14382	16213	18166	20233	22404
				R-448A/R-449A	9955	11463	13113	14900	16817	18859	21021	23297	25682
				R-507	11850	13350	14950	16660	18480	20400	22420	24560	26800
5	XFAL-050Z	ZXI15KCE	TFC	R-404A	11920	13590	15370	17250	19220	21300	23470	25740	28110
				R-407A	9070	10642	12331	14139	16069	18124	20306	22619	25063
				R-407C	8709	9792	11120	12665	14399	16295	18324	20459	22672
				R-448A/R-449A	11121	12820	14682	16702	18873	21190	23648	26240	28963
				R-507	11920	13590	15370	17250	19220	21300	23470	25740	28110
	XFAL-051Z	ZXI16KCE	CFV	R-404A	11920	13590	15370	17250	19220	21300	23470	25740	28110
				R-407A	9586	11075	12737	14570	16575	18753	21102	23623	26316
				R-407C	9623	11857	13869	15659	17228	18574	19698	20600	21279
				R-448A/R-449A	10895	12604	14488	16542	18762	21147	23691	26393	29248
				R-507	11920	13590	15370	17250	19220	21300	23470	25740	28110
6	XFAL-060Z	ZXI18KCE	TFC	R-404A	16170	18330	20500	22760	25130	27600	30184	32960	34700
				R-407A	12626	14471	16538	18825	21334	24063	27013	30184	33576
				R-407C	10391	12079	13921	15919	18072	20380	22843	25461	28235
				R-448A/R-449A	11512	13395	15487	17786	20292	23007	25929	29059	32397
				R-507	16170	18330	20500	22760	25130	27600	30184	32960	34700

Medium Temp – Digital Air-Cooled

90° Ambient															
HP	Model	Compressor	Electrical	Refrigerant	Capacity (BTU/Hr) @ SST, 40°F RG (65°F RG in Bold), 5°F Subcooling										
					0	5	10	15	20	25	25	30	35	40	45
3	XFAM-030D	ZBD21KCE	CFV TFC	R-404A	16700	18500	20500	22500	24700	27000	28000	30500	33000	35600	38200
				R-407A	14700	16500	18400	20400	22600	24900	25300	27900	30600	33600	36800
				R-448A/R-449A	14000	15700	17600	19600	21700	24100	24700	27500	30300	33200	36300
				R-407C	15600	17400	19300	21200	23300	25500	26000	28400	31000	33900	36900
				R-507	17100	19000	21000	23100	25400	27700	28900	31400	34000	36700	39400
4	XFAM-040D	ZBD30KCE	TFC	R-404A	23400	25800	28400	31200	34100	37200	38600	41900	45400	48900	52500
				R-407A	20700	23400	26300	29400	32700	36200	36800	40600	44500	48700	53000
				R-407C	19100	21600	24300	27100	30200	33400	33900	37400	41100	45000	49200
				R-448A/R-449A	20000	22700	25400	28400	31500	34700	35300	38900	42700	46700	51000
				R-507	24100	26600	29300	32200	35200	38400	39900	43400	46900	50500	54500
5	XFAM-050D	ZBD38KCE	CFV TFC	R-404A	28700	31700	34900	38300	41800	45600	47300	51500	55500	60000	64500
				R-407A	25800	29200	32900	36800	40900	45400	46100	51000	55500	61000	66000
				R-407C	23800	26700	29900	33400	37200	41300	41800	46100	50500	55500	61000
				R-448A/R-449A	25200	28400	31900	35500	39400	43500	44200	48600	53500	58000	63500
				R-507	29600	32700	36000	39400	43100	46900	48800	53000	57500	62000	66500
6	XFAM-060D	ZBD45KCE	TFC	R-404A	33700	37100	40700	44400	48300	52500	54500	59000	63500	68000	72500
				R-407A	28700	32500	36500	40800	45400	50000	51000	56000	61500	67000	72500
				R-407C	27700	31200	35100	39300	43800	48600	49200	54500	59500	65500	71000
				R-448A/R-449A	29400	33200	37200	41300	45700	50500	51500	56000	61500	67000	73000
				R-507	34800	38200	41900	45700	49700	54000	56000	60500	65000	70000	75000

Medium Temp – Digital Air-Cooled

95° Ambient															
HP	Model	Compressor	Electrical	Refrigerant	Capacity (BTU/Hr) @ SST, 40°F RG (65°F RG in Bold), 5°F Subcooling										
					0	5	10	15	20	25	30	35	40	45	
3	XFAM-030D	ZBD21KCE	CFV TFC	R-404A	16700	18500	20500	22600	24700	27000	29300	31700	34100	36600	
				R-407A	14500	16200	18100	20000	22200	24500	26900	29600	32500	35500	
				R-407C	13800	15500	17300	19200	21300	23600	26000	28600	31400	34400	
				R-448A/R-449A	15300	17100	19000	20900	22900	25100	27500	30000	32700	35700	
				R-507	17100	19100	21100	23300	25600	27900	30400	32900	35400	38000	
4	XFAM-040D	ZBD30KCE	TFC	R-404A	23300	25700	28300	31100	34000	37100	40300	43600	47000	50500	
				R-407A	20200	22800	25700	28800	32000	35500	39100	43000	47000	51000	
				R-407C	18600	21100	23700	26600	29600	32800	36200	39800	43600	47600	
				R-448A/R-449A	19600	22200	24900	27800	30800	34100	37500	41200	45100	49300	
				R-507	24100	26600	29300	32100	35100	38300	41600	45000	48500	52000	
5	XFAM-050D	ZBD38KCE	CFV TFC	R-404A	28700	31700	34900	38200	41800	45500	49400	53500	57500	62000	
				R-407A	25200	28500	32100	36000	40100	44400	49000	53500	58500	64000	
				R-407C	23400	26200	29400	32800	36500	40500	44700	49200	54000	59000	
				R-448A/R-449A	24500	27800	31200	34800	38600	42600	46900	51500	56000	61500	
				R-507	29600	32700	36000	39400	43100	46900	51000	55000	59500	64000	
6	XFAM-060D	ZBD45KCE	TFC	R-404A	33700	37000	40600	44300	48200	52000	56500	60500	65000	69500	
				R-407A	28100	31800	35700	39900	44400	49100	54000	59000	64500	70000	
				R-407C	27100	30500	34200	38300	42700	47400	52500	57500	63000	69000	
				R-448A/R-449A	28700	32500	36400	40500	44800	49400	54000	59500	64500	70500	
				R-507	34800	38200	41900	45700	49700	54000	58000	62500	67000	71500	

The performance listed above is at full load condition. Digital X-Line models are capable of 80% capacity reduction from rated conditions.

Medium Temp – Digital Air-Cooled

100° Ambient															
HP	Model	Compressor	Electrical	Refrigerant	Capacity (BTU/Hr) @ SST, 40°F RG (65°F RG in Bold), 5°F Subcooling										
					0	5	10	15	20	25	25	30	35	40	45
3	XFAM-030D	ZBD21KCE	CFV TFC	R-404A	15400	17100	18900	20800	22800	24800	25900	28100	30300	32600	34900
				R-407A	13700	15300	17100	18900	20900	23100	23600	26000	28500	31300	34200
				R-407C	13200	14700	16400	18300	20300	22400	22900	25500	28200	31000	33900
				R-448A/R-449A	14400	16100	17900	19700	21600	23700	24200	26500	28900	31600	34400
				R-507	15800	17500	19400	21400	23400	25500	26900	29200	31500	33900	36300
4	XFAM-040D	ZBD30KCE	TFC	R-404A	21400	23600	26000	28500	31200	33900	35500	38600	41700	45000	48400
				R-407A	19000	21500	24200	27100	30200	33400	34100	37700	41400	45200	49300
				R-407C	17500	19900	22500	25200	28100	31200	31700	35000	38500	42200	46100
				R-448A/R-449A	18200	20700	23400	26100	29000	32100	32800	36200	39700	43500	47500
				R-507	22000	24300	26800	29400	32200	35100	36800	40000	43400	46800	50500
5	XFAM-050D	ZBD38KCE	CFV TFC	R-404A	26500	29200	32100	35100	38300	41700	43600	47200	51000	55000	59000
				R-407A	23700	26800	30200	33900	37700	41800	42700	47100	51500	56500	61500
				R-407C		25000	27900	31200	34700	38500	39200	43300	47700	52500	57500
				R-448A/R-449A	22900	26100	29400	32800	36400	40200	41100	45200	49600	54000	59000
				R-507	27200	30000	33000	36200	39600	43100	45200	49100	53000	57500	61500
6	XFAM-060D	ZBD45KCE	TFC	R-404A	30900	34000	37200	40600	44100	47700	49900	54000	58000	62000	66500
				R-407A	26300	29800	33500	37500	41700	46200	47200	52000	57000	62000	67500
				R-407C	25700	28900	32400	36300	40400	44900	45600	50500	55500	61000	66500
				R-448A/R-449A	26800	30400	34200	38100	42200	46500	47600	52000	57000	62500	68000
				R-507	31800	35000	38400	42000	45700	49500	52000	56000	60500	64500	69000

The performance listed above is at full load condition. Digital X-Line models are capable of 80% capacity reduction from rated conditions.

Medium Temp – Digital Air-Cooled

110° Ambient															
HP	Model	Compressor	Electrical	Refrigerant	Capacity (BTU/Hr) @ SST, 40°F RG (65°F RG in Bold), 5°F Subcooling										
					0	5	10	15	20	25	25	30	35	40	45
3	XFAM-030D	ZBD21KCE	CFV TFC	R-404A	13900	15500	17200	18900	20600	22300	23600	25500	27400	29300	31200
				R-407A	12700	14200	15700	17400	19300	21200	21800	24000	26300	28900	31600
				R-407C	12300	13700	15300	17000	18800	20800	21200	23500	26000	28700	31400
				R-448A/R-449A	13000	14700	16300	18000	19800	21700	22300	24400	26600	29100	31700
				R-507	14200	15900	17600	19400	21200	23000	24300	26300	28200	30100	32000
4	XFAM-040D	ZBD30KCE	TFC	R-404A	19400	21400	23500	25700	28100	30600	32300	35100	38000	41000	44100
				R-407A	17300	19600	22000	24700	27500	30500	31300	34600	38000	41600	45400
				R-407C	15900	18200	20700	23200	26000	28800	29400	32500	35800	39300	42900
				R-448A/R-449A	16500	18900	21400	24000	26700	29600	30400	33500	36800	40400	44100
				R-507	20000	22000	24200	26500	29000	31500	33400	36200	39200	42200	45400
5	XFAM-050D	ZBD38KCE	CFV TFC	R-404A	24000	26500	29000	31800	34600	37500	39600	42900	46300	49900	53500
				R-407A	21600	24400	27500	30900	34400	38200	39200	43300	47500	52000	56500
				R-407C			26000	29000	32200	35800	36500	40400	44500	48900	53500
				R-448A/R-449A	20800	23800	26900	30100	33400	37000	38000	41800	45900	50500	55000
				R-507	24700	27200	29900	32700	35600	38600	40900	44300	47800	51500	55000
6	XFAM-060D	ZBD45KCE	TFC	R-404A		30700	33600	36500	39600	42800	45300	48800	52500	56000	60000
				R-407A	23900	27100	30500	34100	38000	42100	43200	47600	52000	57000	
				R-407C	24000	26800	29900	33300	37100	41200	42100	46500	51500	56000	
				R-448A/R-449A	24200	27700	31200	34900	38700	42800	44000	48300	53000		
				R-507		31600	34500	37600	40800	44000	46700	50000	54000	57500	61000

The performance listed above is at full load condition. Digital X-Line models are capable of 80% capacity reduction from rated conditions.

Area Restrictions: 20°F Max Superheat

Physical and Electrical Data

Copeland X-Line Outdoor Refrigeration Units

Model	Comp.	Voltage	Fans	L	W	H	Ref.Conn. (Sweat)		Receiver Capacity (Lbs @ 90% Volume)								MCA	Max Over-Current *	Defrost Relay Rating† (Amps)	Ship Wt.
							Liq.	Suc.	22	134a	404A	407A	407C	448A	449A	507				
XFAL-008Z-CFV	ZF03KAE	208-230-1	1 FAN	40.58	17.34	32.98	1/2	7/8	10.7	10.5	9.1	10	10	9.7	9.7	9.1	8.6	15	30	225
XFAL-008Z-TFC	ZF03KAE	208-230-3	1 FAN	40.58	17.34	32.98	1/2	7/8	10.7	10.5	9.1	10	10	9.7	9.7	9.1	6.1	15	30	221
XFAL-009Z-CFV	ZF04KAE	208-230-1	1 FAN	40.58	17.34	32.98	1/2	7/8	10.7	10.5	9.1	10	10	9.7	9.7	9.1	10.3	15	30	248
XFAL-009Z-TFC	ZF04KAE	208-230-3	1 FAN	40.58	17.34	32.98	1/2	7/8	10.7	10.5	9.1	10	10	9.7	9.7	9.1	9.3	15	30	250
XFAL-010Z-CFV	ZF05KAE	208-230-1	1 FAN	40.58	17.34	32.98	1/2	7/8	10.7	10.5	9.1	10	10	9.7	9.7	9.1	11.9	15	30	252
XFAL-010Z-TFC	ZF05KAE	208-230-3	1 FAN	40.58	17.34	32.98	1/2	7/8	10.7	10.5	9.1	10	10	9.7	9.7	9.1	10.4	15	30	247
XFAL-012Z-CFV	ZF07KAE	208-230-1	1 FAN	40.58	17.34	32.98	1/2	7/8	10.7	10.5	9.1	10	10	9.7	9.7	9.1	18.4	30	30	225
XFAL-012Z-TFC	ZF07KAE	208-230-3	1 FAN	40.58	17.34	32.98	1/2	7/8	10.7	10.5	9.1	10	10	9.7	9.7	9.1	11.8	15	30	221
XFAL-020Z-CFV	ZXI06KCE	208-230-1	1 FAN	40.58	17.34	32.98	1/2	7/8	10.7	10.5	9.1	10	10	9.7	9.7	9.1	21.5	35	30	180
XFAL-020Z-TFC	ZXI06KCE	208-230-3	1 FAN	40.58	17.34	32.98	1/2	7/8	10.7	10.5	9.1	10	10	9.7	9.7	9.1	16.1	25	30	215
XFAL-030Z-TFC	ZXI09KCE	208-230-3	1 FAN	40.59	17.34	32.97	1/2	7/8	10.7	10.5	9.1	10	10	9.7	9.7	9.1	17.1	25	30	226
XFAL-035Z-CFV	ZXI11KCE	208-230-1	1 FAN	40.59	17.34	33.04	1/2	7/8	10.7	10.5	9.1	10	10	9.7	9.7	9.1	34	50	30	244
XFAL-035Z-TFC	ZXI11KCE	208-230-3	1 FAN	40.59	17.34	33.03	1/2	7/8	10.7	10.5	9.1	10	10	9.7	9.7	9.1	24.9	40	30	244
XFAM-008Z-CFV	ZB06KAE	208-230-1	1 FAN	40.58	17.34	33.08	1/2	7/8	10.7	10.5	9.1	10	10	9.7	9.7	9.1	8.5	15	30	198
XFAM-008Z-TFC	ZB06KAE	208-230-3	1 FAN	40.58	17.34	33.08	1/2	7/8	10.7	10.5	9.1	10	10	9.7	9.7	9.1	7	15	30	221
XFAM-010Z-CFV	ZB07KAE	208-230-1	1 FAN	40.58	17.34	33.08	1/2	7/8	10.7	10.5	9.1	10	10	9.7	9.7	9.1	8.9	15	30	231
XFAM-010Z-TFC	ZB07KAE	208-230-3	1 FAN	40.58	17.34	33.08	1/2	7/8	10.7	10.5	9.1	10	10	9.7	9.7	9.1	7.5	15	30	231
XFAM-012Z-CFV	ZB08KAE	208-230-1	1 FAN	40.58	17.34	33.08	1/2	7/8	10.7	10.5	9.1	10	10	9.7	9.7	9.1	11	15	30	221
XFAM-012Z-TFC	ZB08KAE	208-230-3	1 FAN	40.58	17.34	33.08	1/2	7/8	10.7	10.5	9.1	10	10	9.7	9.7	9.1	7.6	15	30	231
XFAM-015Z-CFV	ZS09KAE	208-230-1	1 FAN	40.58	17.34	33.08	1/2	7/8	10.7	10.5	9.1	10	10	9.7	9.7	9.1	13.5	20	30	226
XFAM-015Z-TFC	ZS09KAE	208-230-3	1 FAN	40.58	17.34	33.08	1/2	7/8	10.7	10.5	9.1	10	10	9.7	9.7	9.1	11	15	30	226
XFAM-017Z-CFV	ZS11KAE	208-230-1	1 FAN	40.58	17.34	33.08	1/2	7/8	10.7	10.5	9.1	10	10	9.7	9.7	9.1	16.8	25	30	180
XFAM-017Z-TFC	ZS11KAE	208-230-3	1 FAN	40.58	17.34	33.08	1/2	7/8	10.7	10.5	9.1	10	10	9.7	9.7	9.1	14	20	30	234
XFAM-020Z-CFV	ZS13KAE	208-230-1	1 FAN	40.58	17.34	33.08	1/2	7/8	10.7	10.5	9.1	10	10	9.7	9.7	9.1	16	25	30	230
XFAM-020Z-TFC	ZS13KAE	208-230-3	1 FAN	40.59	17.34	33.03	1/2	7/8	10.7	10.5	9.1	10	10	9.7	9.7	9.1	13.1	20	30	230
XFAM-022Z-CFV	ZS15KAE	208-230-1	1 FAN	40.58	17.34	33.08	1/2	7/8	10.7	10.5	9.1	10	10	9.7	9.7	9.1	20.6	35	30	226
XFAM-022Z-TFC	ZS15KAE	208-230-3	1 FAN	40.59	17.34	33.03	1/2	7/8	10.7	10.5	9.1	10	10	9.7	9.7	9.1	14.3	20	30	226
XFAM-025Z-CFV	ZS19KAE	208-230-1	1 FAN	40.58	17.34	33.08	1/2	7/8	10.7	10.5	9.1	10	10	9.7	9.7	9.1	23.5	40	30	230
XFAM-025Z-TFC	ZS19KAE	208-230-3	1 FAN	40.59	17.34	33.03	1/2	7/8	10.7	10.5	9.1	10	10	9.7	9.7	9.1	18.1	30	30	230
XFAM-030Z-CFV	ZS21KAE	208-230-1	1 FAN	40.55	17.34	33.08	1/2	7/8	10.7	10.5	9.1	10	10	9.7	9.7	9.1	30	50	30	226
XFAM-030Z-TFC	ZS21KAE	208-230-3	1 FAN	40.58	17.34	33.08	1/2	7/8	10.7	10.5	9.1	10	10	9.7	9.7	9.1	20	30	30	226
XFAM-033Z-CFV	ZS26KAE	208-230-1	1 FAN	40.55	17.34	33.08	1/2	7/8	10.7	10.5	9.1	10	10	9.7	9.7	9.1	30.5	50	30	230
XFAM-033Z-TFC	ZS26KAE	208-230-3	1 FAN	40.58	17.34	33.08	1/2	7/8	10.7	10.5	9.1	10	10	9.7	9.7	9.1	20.4	30	30	230
XFAM-037Z-CFV	ZS29KAE	208-230-1	1 FAN	40.55	17.34	33.08	1/2	7/8	10.7	10.5	9.1	10	10	9.7	9.7	9.1	33.6	50	30	230
XFAM-037Z-TFC	ZS29KAE	208-230-3	1 FAN	40.58	17.34	33.08	1/2	7/8	10.7	10.5	9.1	10	10	9.7	9.7	9.1	26.6	45	30	230
XFAP-015Z-CFV	ZS09KAE	208-230-1	1 FAN	40.58	17.34	33.08	1/2	7/8	10.7	10.5	9.1	10	10	9.7	9.7	9.1	13.5	20	30	226
XFAP-015Z-TFC	ZS09KAE	208-230-3	1 FAN	40.57	17.34	33.08	1/2	7/8	10.7	10.5	9.1	10	10	9.7	9.7	9.1	11	15	30	226
XFAP-017Z-CFV	ZS11KAE	208-230-1	1 FAN	40.57	17.34	33.08	1/2	7/8	10.7	10.5	9.1	10	10	9.7	9.7	9.1	16.8	25	30	226
XFAP-017Z-TFC	ZS11KAE	208-230-3	1 FAN	40.58	17.34	33.08	1/2	7/8	10.7	10.5	9.1	10	10	9.7	9.7	9.1	14	20	30	230
XFAP-020Z-CFV	ZS13KAE	208-230-1	1 FAN	40.57	17.34	33.08	1/2	7/8	10.7	10.5	9.1	10	10	9.7	9.7	9.1	16	25	30	228
XFAP-020Z-TFC	ZS13KAE	208-230-3	1 FAN	40.57	17.34	33.08	1/2	7/8	10.7	10.5	9.1	10	10	9.7	9.7	9.1	13.1	20	30	228
XFAP-022Z-CFV	ZS15KAE	208-230-1	1 FAN	40.57	17.34	33.08	1/2	7/8	10.7	10.5	9.1	10	10	9.7	9.7	9.1	20.6	35	30	230
XFAP-022Z-TFC	ZS15KAE	208-230-3	1 FAN	40.57	17.34	33.08	1/2	7/8	10.7	10.5	9.1	10	10	9.7	9.7	9.1	14.3	20	30	230
XFAP-025Z-CFV	ZS19KAE	208-230-1	1 FAN	40.57	17.34	33.08	1/2	7/8	10.7	10.5	9.1	10	10	9.7	9.7	9.1	23.5	40	30	228
XFAP-025Z-TFC	ZS19KAE	208-230-3	1 FAN	40.57	17.34	33.08	1/2	7/8	10.7	10.5	9.1	10	10	9.7	9.7	9.1	18.1	30	30	228
XFAP-030Z-CFV	ZS21KAE	208-230-1	1 FAN	40.59	17.34	33.08	1/2	7/8	10.7	10.5	9.1	10	10	9.7	9.7	9.1	30	50	30	226
XFAP-030Z-TFC	ZS21KAE	208-230-3	1 FAN	40.57	17.34	33.08	1/2	7/8	10.7	10.5	9.1	10	10	9.7	9.7	9.1	20	30	30	252
XFAP-033Z-CFV	ZS26KAE	208-230-1	1 FAN	40.59	17.34	33.08	1/2	7/8	10.7	10.5	9.1	10	10	9.7	9.7	9.1	30.5	50	30	234
XFAP-033Z-TFC	ZS26KAE	208-230-3	1 FAN	40.57	17.34	33.08	1/2	7/8	10.7	10.5	9.1	10	10	9.7	9.7	9.1	20.4	30	30	234
XFAP-037Z-CFV	ZS29KAE	208-230-1	1 FAN	40.59	17.34	33.08	1/2	7/8	10.7	10.5	9.1	10	10	9.7	9.7	9.1	33.6	50	30	234
XFAP-037Z-TFC	ZS29KAE	208-230-3	1 FAN	40.57	17.34	33.08	1/2	7/8	10.7	10.5	9.1	10	10	9.7	9.7	9.1	26.6	45	30	234
XFAL-040Z-CFV	ZXI14KCE	208-230-1	2 FAN	40.59	17.34	48.88	1/2	7/8	15.7	15.5	13.4	14.8	14.7	14.2	14.3	13.5	40.1	60	30	288
XFAL-040Z-TFC	ZXI14KCE	208-230-3	2 FAN	40.59	17.34	48.88	1/2	7/8	15.7	15.5	13.4	14.8	14.7	14.2	14.3	13.5	27.1	45	30	283
XFAL-050Z-TFC	ZXI15KCE	208-230-3	2 FAN	40.59	17.34	48.88	1/2	7/8	15.7	15.5	13.4	14.8	14.7	14.2	14.3	13.5	28.8	45	30	333
XFAL-051Z-CFV	ZXI16KCE	208-230-1	2 FAN	40.59	17.34	48.88	1/2	7/8	15.7	15.5	13.4	14.8	14.7	14.2	14.3	13.5	44.7	70	30	333
XFAL-060Z-TFC	ZXI18KCE	208-230-3	2 FAN	40.59	17.34	48.88	1/2	7/8	15.7	15.5	13.4	14.8	14.7	14.2	14.3	13.5	33.9	50	30	330
XFAM-045Z-CFV	ZS33KAE	208-230-1	2 FAN	40.58	17.34	48.93	1/2	7/8	15.7	15.5	13.4	14.8	14.7	14.2	14.3	13.5	37.3	60	30	333
XFAM-045Z-TFC	ZS33KAE	208-230-3	2 FAN	40.58	17.34	48.86	1/2	7/8	15.7	15.5	13.4	14.8	14.7	14.2	14.3	13.5	29.9	50	30	253

Physical and Electrical Data

Copeland X-Line Outdoor Refrigeration Units

Model	Comp.	Voltage	Fans	L	W	H	Ref.Conn. (Sweat)		Receiver Capacity (Lbs @ 90% Volume)								MCA	Max Over-Current *	Defrost Relay Rating† (Amps)	Ship Wt.
							Liq.	Suc.	22	134a	404A	407A	407C	448A	449A	507				
XFAM-050Z-CFV	ZS38K4E	208-230-1	2 FAN	40.59	17.34	48.88	1/2	7/8	15.7	15.5	13.4	14.8	14.7	14.2	14.3	13.5	41.8	70	30	333
XFAM-050Z-TFC	ZS38K4E	208-230-3	2 FAN	40.59	17.34	48.88	1/2	7/8	15.7	15.5	13.4	14.8	14.7	14.2	14.3	13.5	28.8	45	30	288
XFAM-060Z-TFC	ZS45K4E	208-230-3	2 FAN	40.59	17.34	48.88	1/2	7/8	15.7	15.5	13.4	14.8	14.7	14.2	14.3	13.5	31.9	50	30	293
XFAP-045Z-CFV	ZS33KAE	208-230-1	2 FAN	40.59	17.34	48.88	1/2	7/8	15.7	15.5	13.4	14.8	14.7	14.2	14.3	13.5	37.3	60	30	226
XFAP-045Z-TFC	ZS33KAE	208-230-3	2 FAN	40.59	17.34	48.88	1/2	7/8	15.7	15.5	13.4	14.8	14.7	14.2	14.3	13.5	29.9	50	30	333
XFAM-045Z-TFD	ZS33KAE	460	2 FAN	40.58	17.34	48.86	1/2	7/8	15.7	15.5	13.4	14.8	14.7	14.2	14.3	13.5	14.6	20	10	320
XFAP-050Z-CFV	ZS38K4E	208-230-1	2 FAN	40.59	17.34	48.88	1/2	7/8	15.7	15.5	13.4	14.8	14.7	14.2	14.3	13.5	41.8	70	30	333
XFAP-050Z-TFC	ZS38K4E	208-230-3	2 FAN	40.59	17.34	48.88	1/2	7/8	15.7	15.5	13.4	14.8	14.7	14.2	14.3	13.5	28.8	45	30	150
XFAM-050Z-TFD	ZS38K4E	460	2 FAN	40.58	17.34	48.86	1/2	7/8	15.7	15.5	13.4	14.8	14.7	14.2	14.3	13.5	14.1	20	10	345
XFAP-060Z-TFC	ZS45K4E	208-230-3	2 FAN	40.59	17.34	48.88	1/2	7/8	15.7	15.5	13.4	14.8	14.7	14.2	14.3	13.5	31.9	50	30	333
XFAM-060Z-TFD	ZS45K4E	460	2 FAN	40.58	17.34	48.86	1/2	7/8	15.7	15.5	13.4	14.8	14.7	14.2	14.3	13.5	13.7	20	10	353
Digital Models																				
XFAM-030D-CFV	ZBD21KCE	208-230-1	1 FAN	40.58	17.34	33.08	1/2	7/8	10.7	10.5	9.1	10	10	9.7	9.7	9.1	24.6	40	30	244
XFAM-030D-TFC	ZBD21KCE	208-230-3	1 FAN	40.58	17.34	33.08	1/2	7/8	10.7	10.5	9.1	10	10	9.7	9.7	9.1	16.8	25	30	244
XFAM-040D-TFC	ZBD30KCE	208-230-3	2 FAN	40.58	17.34	48.86	1/2	7/8	15.7	15.5	13.4	14.8	14.7	14.2	14.3	13.5	21.7	35	30	245
XFAM-050D-CFV	ZBD38KCE	208-230-1	2 FAN	40.58	17.34	48.86	1/2	7/8	15.7	15.5	13.4	14.8	14.7	14.2	14.3	13.5	44.9	70	30	250
XFAM-050D-TFC	ZBD38KCE	208-230-3	2 FAN	40.58	17.34	48.86	1/2	7/8	15.7	15.5	13.4	14.8	14.7	14.2	14.3	13.5	31.7	50	30	250
XFAM-060D-TFC	ZBD45KCE	208-230-3	2 FAN	40.58	17.34	48.86	1/2	7/8	15.7	15.5	13.4	14.8	14.7	14.2	14.3	13.5	30.2	50	30	255

* Max over-current rating applies to the condensing unit only. Additional evaporator fan or defrost heater loads must be considered. See evaporator manufacturer literature for additional load requirements.
 † Defrost relay for single phase heaters only. For three-phase heaters, additional contactors are required.
 Note: Defrost relay rated to 40 Amps (normally open) for 208/230V units, and 10 Amps for 460V units. Terminal block capable of handling defrost heaters up to 30 Amps.

Physical and Electrical Data

Unit Pumpdown Capacity

Model	Comp.	Voltage	Fans	L	W	H	Ref.Conn. (Sweat)		Unit Pumpdown Capacity (Lbs @ 90% Volume)								MCA	Max Over-Current *	Defrost Relay Rating† (Amps)	Ship Wt.
							Liq.	Suc.	22	134a	404A	407A	407C	448A	449A	507				
XFAL-008Z-CFV	ZF03KAE	208-230-1	1 FAN	40.58	17.34	32.98	1/2	7/8	21.5	21.2	18.4	20.3	20.2	19.5	19.6	18.4	8.6	15	30	225
XFAL-008Z-TFC	ZF03KAE	208-230-3	1 FAN	40.58	17.34	32.98	1/2	7/8	21.5	21.2	18.4	20.3	20.2	19.5	19.6	18.4	6.1	15	30	221
XFAL-009Z-CFV	ZF04KAE	208-230-1	1 FAN	40.58	17.34	32.98	1/2	7/8	21.5	21.2	18.4	20.3	20.2	19.5	19.6	18.4	10.3	15	30	248
XFAL-009Z-TFC	ZF04KAE	208-230-3	1 FAN	40.58	17.34	32.98	1/2	7/8	21.5	21.2	18.4	20.3	20.2	19.5	19.6	18.4	9.3	15	30	250
XFAL-010Z-CFV	ZF05KAE	208-230-1	1 FAN	40.58	17.34	32.98	1/2	7/8	21.5	21.2	18.4	20.3	20.2	19.5	19.6	18.4	11.9	15	30	252
XFAL-010Z-TFC	ZF05KAE	208-230-3	1 FAN	40.58	17.34	32.98	1/2	7/8	21.5	21.2	18.4	20.3	20.2	19.5	19.6	18.4	10.4	15	30	247
XFAL-012Z-CFV	ZF07KAE	208-230-1	1 FAN	40.58	17.34	32.98	1/2	7/8	21.5	21.2	18.4	20.3	20.2	19.5	19.6	18.4	18.4	30	30	225
XFAL-012Z-TFC	ZF07KAE	208-230-3	1 FAN	40.58	17.34	32.98	1/2	7/8	21.5	21.2	18.4	20.3	20.2	19.5	19.6	18.4	11.8	15	30	221
XFAL-020Z-CFV	ZX106KCE	208-230-1	1 FAN	40.58	17.34	32.98	1/2	7/8	21.5	21.2	18.4	20.3	20.2	19.5	19.6	18.4	21.5	35	30	180
XFAL-020Z-TFC	ZX106KCE	208-230-3	1 FAN	40.58	17.34	32.98	1/2	7/8	21.5	21.2	18.4	20.3	20.2	19.5	19.6	18.4	16.1	25	30	215
XFAL-030Z-TFC	ZX109KCE	208-230-3	1 FAN	40.59	17.34	32.97	1/2	7/8	22.6	22.3	19.3	21.3	21.2	20.5	20.6	19.4	17.1	25	30	226
XFAL-035Z-CFV	ZX111KCE	208-230-1	1 FAN	40.59	17.34	33.04	1/2	7/8	22.6	22.3	19.3	21.3	21.2	20.5	20.6	19.4	34	50	30	244
XFAL-035Z-TFC	ZX111KCE	208-230-3	1 FAN	40.59	17.34	33.03	1/2	7/8	22.6	22.3	19.3	21.3	21.2	20.5	20.6	19.4	24.9	40	30	244
XFAM-008Z-CFV	ZB06KAE	208-230-1	1 FAN	40.58	17.34	33.08	1/2	7/8	21.5	21.2	18.4	20.3	20.2	19.5	19.6	18.4	8.5	15	30	198
XFAM-008Z-TFC	ZB06KAE	208-230-3	1 FAN	40.58	17.34	33.08	1/2	7/8	21.5	21.2	18.4	20.3	20.2	19.5	19.6	18.4	7	15	30	221
XFAM-010Z-CFV	ZB07KAE	208-230-1	1 FAN	40.58	17.34	33.08	1/2	7/8	21.5	21.2	18.4	20.3	20.2	19.5	19.6	18.4	8.9	15	30	231
XFAM-010Z-TFC	ZB07KAE	208-230-3	1 FAN	40.58	17.34	33.08	1/2	7/8	21.5	21.2	18.4	20.3	20.2	19.5	19.6	18.4	7.5	15	30	231
XFAM-012Z-CFV	ZB08KAE	208-230-1	1 FAN	40.58	17.34	33.08	1/2	7/8	21.5	21.2	18.4	20.3	20.2	19.5	19.6	18.4	11	15	30	221
XFAM-012Z-TFC	ZB08KAE	208-230-3	1 FAN	40.58	17.34	33.08	1/2	7/8	21.5	21.2	18.4	20.3	20.2	19.5	19.6	18.4	7.6	15	30	231
XFAM-015Z-CFV	ZS09KAE	208-230-1	1 FAN	40.58	17.34	33.08	1/2	7/8	21.5	21.2	18.4	20.3	20.2	19.5	19.6	18.4	13.5	20	30	226
XFAM-015Z-TFC	ZS09KAE	208-230-3	1 FAN	40.58	17.34	33.08	1/2	7/8	21.5	21.2	18.4	20.3	20.2	19.5	19.6	18.4	11	15	30	226
XFAM-017Z-CFV	ZS11KAE	208-230-1	1 FAN	40.58	17.34	33.08	1/2	7/8	21.5	21.2	18.4	20.3	20.2	19.5	19.6	18.4	16.8	25	30	180
XFAM-017Z-TFC	ZS11KAE	208-230-3	1 FAN	40.58	17.34	33.08	1/2	7/8	21.5	21.2	18.4	20.3	20.2	19.5	19.6	18.4	14	20	30	234
XFAM-020Z-CFV	ZS13KAE	208-230-1	1 FAN	40.58	17.34	33.08	1/2	7/8	21.5	21.2	18.4	20.3	20.2	19.5	19.6	18.4	16	25	30	230

Physical and Electrical Data

Unit Pumpdown Capacity

Model	Comp.	Voltage	Fans	L	W	H	Ref Conn. (Sweat)		Unit Pumpdown Capacity (Lbs @ 90% Volume)								MCA	Max Over-Current *	Defrost Relay Rating† (Amps)	Ship Wt.
							Liq.	Suc.	22	134a	404A	407A	407C	448A	449A	507				
									21.5	21.2	18.4	20.3	20.2	19.5	19.6	18.4				
XFAM-020Z-TFC	ZS13KAE	208-230-3	1 FAN	40.59	17.34	33.03	1/2	7/8	21.5	21.2	18.4	20.3	20.2	19.5	19.6	18.4	13.1	20	30	230
XFAM-022Z-CFV	ZS15KAE	208-230-1	1 FAN	40.58	17.34	33.08	1/2	7/8	21.5	21.2	18.4	20.3	20.2	19.5	19.6	18.4	20.6	35	30	226
XFAM-022Z-TFC	ZS15KAE	208-230-3	1 FAN	40.59	17.34	33.03	1/2	7/8	21.5	21.2	18.4	20.3	20.2	19.5	19.6	18.4	14.3	20	30	226
XFAM-025Z-CFV	ZS19KAE	208-230-1	1 FAN	40.58	17.34	33.08	1/2	7/8	21.5	21.2	18.4	20.3	20.2	19.5	19.6	18.4	23.5	40	30	230
XFAM-025Z-TFC	ZS19KAE	208-230-3	1 FAN	40.59	17.34	33.03	1/2	7/8	21.5	21.2	18.4	20.3	20.2	19.5	19.6	18.4	18.1	30	30	230
XFAM-030Z-CFV	ZS21KAE	208-230-1	1 FAN	40.55	17.34	33.08	1/2	7/8	22.6	22.3	19.3	21.3	21.2	20.5	20.6	19.4	30	50	30	226
XFAM-030Z-TFC	ZS21KAE	208-230-3	1 FAN	40.58	17.34	33.08	1/2	7/8	22.6	22.3	19.3	21.3	21.2	20.5	20.6	19.4	20	30	30	226
XFAM-033Z-CFV	ZS26KAE	208-230-1	1 FAN	40.55	17.34	33.08	1/2	7/8	22.6	22.3	19.3	21.3	21.2	20.5	20.6	19.4	30.5	50	30	230
XFAM-033Z-TFC	ZS26KAE	208-230-3	1 FAN	40.58	17.34	33.08	1/2	7/8	22.6	22.3	19.3	21.3	21.2	20.5	20.6	19.4	20.4	30	30	230
XFAM-037Z-CFV	ZS29KAE	208-230-1	1 FAN	40.55	17.34	33.08	1/2	7/8	22.6	22.3	19.3	21.3	21.2	20.5	20.6	19.4	33.6	50	30	230
XFAM-037Z-TFC	ZS29KAE	208-230-3	1 FAN	40.58	17.34	33.08	1/2	7/8	22.6	22.3	19.3	21.3	21.2	20.5	20.6	19.4	26.6	45	30	230
XFAP-015Z-CFV	ZS09KAE	208-230-1	1 FAN	40.58	17.34	33.08	1/2	7/8	21.5	21.2	18.4	20.3	20.2	19.5	19.6	18.4	13.5	20	30	226
XFAP-015Z-TFC	ZS09KAE	208-230-3	1 FAN	40.57	17.34	33.08	1/2	7/8	21.5	21.2	18.4	20.3	20.2	19.5	19.6	18.4	11	15	30	226
XFAP-017Z-CFV	ZS11KAE	208-230-1	1 FAN	40.57	17.34	33.08	1/2	7/8	21.5	21.2	18.4	20.3	20.2	19.5	19.6	18.4	16.8	25	30	226
XFAP-017Z-TFC	ZS11KAE	208-230-3	1 FAN	40.58	17.34	33.08	1/2	7/8	21.5	21.2	18.4	20.3	20.2	19.5	19.6	18.4	14	20	30	230
XFAP-020Z-CFV	ZS13KAE	208-230-1	1 FAN	40.57	17.34	33.08	1/2	7/8	22.6	22.3	19.3	21.3	21.2	20.5	20.6	19.4	16	25	30	228
XFAP-020Z-TFC	ZS13KAE	208-230-3	1 FAN	40.57	17.34	33.08	1/2	7/8	22.6	22.3	19.3	21.3	21.2	20.5	20.6	19.4	13.1	20	30	228
XFAP-022Z-CFV	ZS15KAE	208-230-1	1 FAN	40.57	17.34	33.08	1/2	7/8	21.5	21.2	18.4	20.3	20.2	19.5	19.6	18.4	20.6	35	30	230
XFAP-022Z-TFC	ZS15KAE	208-230-3	1 FAN	40.57	17.34	33.08	1/2	7/8	21.5	21.2	18.4	20.3	20.2	19.5	19.6	18.4	14.3	20	30	230
XFAP-025Z-CFV	ZS19KAE	208-230-1	1 FAN	40.57	17.34	33.08	1/2	7/8	22.6	22.3	19.3	21.3	21.2	20.5	20.6	19.4	23.5	40	30	228
XFAP-025Z-TFC	ZS19KAE	208-230-3	1 FAN	40.57	17.34	33.08	1/2	7/8	22.6	22.3	19.3	21.3	21.2	20.5	20.6	19.4	18.1	30	30	228
XFAP-030Z-CFV	ZS21KAE	208-230-1	1 FAN	40.59	17.34	33.08	1/2	7/8	22.6	22.3	19.3	21.3	21.2	20.5	20.6	19.4	30	50	30	226
XFAP-030Z-TFC	ZS21KAE	208-230-3	1 FAN	40.57	17.34	33.08	1/2	7/8	22.6	22.3	19.3	21.3	21.2	20.5	20.6	19.4	20	30	30	252
XFAP-033Z-CFV	ZS26KAE	208-230-1	1 FAN	40.59	17.34	33.08	1/2	7/8	22.6	22.3	19.3	21.3	21.2	20.5	20.6	19.4	30.5	50	30	234
XFAP-033Z-TFC	ZS26KAE	208-230-3	1 FAN	40.57	17.34	33.08	1/2	7/8	22.6	22.3	19.3	21.3	21.2	20.5	20.6	19.4	20.4	30	30	234
XFAP-037Z-CFV	ZS29KAE	208-230-1	1 FAN	40.59	17.34	33.08	1/2	7/8	22.6	22.3	19.3	21.3	21.2	20.5	20.6	19.4	33.6	50	30	234
XFAP-037Z-TFC	ZS29KAE	208-230-3	1 FAN	40.57	17.34	33.08	1/2	7/8	22.6	22.3	19.3	21.3	21.2	20.5	20.6	19.4	26.6	45	30	234
XFAL-040Z-CFV	ZX114KCE	208-230-1	2 FAN	40.59	17.34	48.88	1/2	7/8	28.9	28.5	24.7	27.2	27.1	26.2	26.3	24.8	40.1	60	30	288
XFAL-040Z-TFC	ZX114KCE	208-230-3	2 FAN	40.59	17.34	48.88	1/2	7/8	28.9	28.5	24.7	27.2	27.1	26.2	26.3	24.8	27.1	45	30	283
XFAL-050Z-TFC	ZX115KCE	208-230-3	2 FAN	40.59	17.34	48.88	1/2	7/8	32.5	32	27.8	30.6	30.5	29.4	29.6	27.9	28.8	45	30	333
XFAL-051Z-CFV	ZX116KCE	208-230-1	2 FAN	40.59	17.34	48.88	1/2	7/8	32.5	32	27.8	30.6	30.5	29.4	29.6	27.9	44.7	70	30	333
XFAL-060Z-TFC	ZX118KCE	208-230-3	2 FAN	40.59	17.34	48.88	1/2	7/8	34.3	33.8	29.3	32.3	32.2	31.1	31.2	29.4	33.9	50	30	330
XFAM-045Z-CFV	ZS33KAE	208-230-1	2 FAN	40.58	17.34	48.93	1/2	7/8	28.9	28.5	24.7	27.2	27.1	26.2	26.3	24.8	37.3	60	30	333
XFAM-045Z-TFC	ZS33KAE	208-230-3	2 FAN	40.58	17.34	48.86	1/2	7/8	28.9	28.5	24.7	27.2	27.1	26.2	26.3	24.8	29.9	50	30	253
XFAM-050Z-CFV	ZS38K4E	208-230-1	2 FAN	40.59	17.34	48.88	1/2	7/8	32.5	32	27.8	30.6	30.5	29.4	29.6	27.9	41.8	70	30	333
XFAM-050Z-TFC	ZS38K4E	208-230-3	2 FAN	40.59	17.34	48.88	1/2	7/8	32.5	32	27.8	30.6	30.5	29.4	29.6	27.9	28.8	45	30	288
XFAM-060Z-TFC	ZS45K4E	208-230-3	2 FAN	40.59	17.34	48.88	1/2	7/8	34.3	33.8	29.3	32.3	32.2	31.1	31.2	29.4	31.9	50	30	293
XFAP-045Z-CFV	ZS33KAE	208-230-1	2 FAN	40.59	17.34	48.88	1/2	7/8	28.9	28.5	24.7	27.2	27.1	26.2	26.3	24.8	37.3	60	30	226
XFAP-045Z-TFC	ZS33KAE	208-230-3	2 FAN	40.59	17.34	48.88	1/2	7/8	28.9	28.5	24.7	27.2	27.1	26.2	26.3	24.8	29.9	50	30	333
XFAM-045Z-TFD	ZS33KAE	460	2 FAN	40.58	17.34	48.86	1/2	7/8	28.9	28.5	24.7	27.2	27.1	26.2	26.3	24.8	14.6	20	10	320
XFAP-050Z-CFV	ZS38K4E	208-230-1	2 FAN	40.59	17.34	48.88	1/2	7/8	32.5	32	27.8	30.6	30.5	29.4	29.6	27.9	41.8	70	30	333
XFAP-050Z-TFC	ZS38K4E	208-230-3	2 FAN	40.59	17.34	48.88	1/2	7/8	32.5	32	27.8	30.6	30.5	29.4	29.6	27.9	28.8	45	30	150
XFAM-050Z-TFD	ZS38K4E	460	2 FAN	40.58	17.34	48.86	1/2	7/8	32.5	32	27.8	30.6	30.5	29.4	29.6	27.9	14.1	20	10	345
XFAP-060Z-TFC	ZS45K4E	208-230-3	2 FAN	40.59	17.34	48.88	1/2	7/8	34.3	33.8	29.3	32.3	32.2	31.1	31.2	29.4	31.9	50	30	333
XFAM-060Z-TFD	ZS45K4E	460	2 FAN	40.58	17.34	48.86	1/2	7/8	34.3	33.8	29.3	32.3	32.2	31.1	31.2	29.4	13.7	20	10	353
Digital Models																				
XFAM-030D-CFV	ZBD21KCE	208-230-1	1 FAN	40.58	17.34	33.08	1/2	7/8	22.6	22.3	19.3	21.3	21.2	20.5	20.6	19.4	24.6	40	30	244
XFAM-030D-TFC	ZBD21KCE	208-230-3	1 FAN	40.58	17.34	33.08	1/2	7/8	22.6	22.3	19.3	21.3	21.2	20.5	20.6	19.4	16.8	25	30	244
XFAM-040D-TFC	ZBD30KCE	208-230-3	2 FAN	40.58	17.34	48.86	1/2	7/8	28.9	28.5	24.7	27.2	27.1	26.2	26.3	24.8	21.7	35	30	245
XFAM-050D-CFV	ZBD38KCE	208-230-1	2 FAN	40.58	17.34	48.86	1/2	7/8	32.5	32	27.8	30.6	30.5	29.4	29.6	27.9	44.9	70	30	250
XFAM-050D-TFC	ZBD38KCE	208-230-3	2 FAN	40.58	17.34	48.86	1/2	7/8	28.9	28.5	24.7	27.2	27.1	26.2	26.3	24.8	31.7	50	30	250
XFAM-060D-TFC	ZBD45KCE	208-230-3	2 FAN	40.58	17.34	48.86	1/2	7/8	28.9	28.5	24.7	27.2	27.1	26.2	26.3	24.8	30.2	50	30	255

* Max over-current rating applies to the condensing unit only. Additional evaporator fan or defrost heater loads must be considered. See evaporator manufacturer literature for additional load requirements.

† Defrost relay for single phase heaters only. For three-phase heaters, additional contactors are required.

Note: Defrost relay rated to 40 Amps (normally open) for 208/230V units, and 10 Amps for 460V units. Terminal block capable of handling defrost heaters up to 30 Amps.

Outdoor AWEF Cooler Scores

If a score is shown in the table below, the following statement applies: *This refrigeration system is designed and certified for use in walk-in cooler applications.*

Model Number	R-404A	R-407A	R-448A R-449A
Medium-Temp			
XFAM-008Z-CFV-081	7.6	7.6	7.6
XFAM-008Z-TFC-081	7.6	7.6	7.6
XFAM-010Z-CFV-081	7.6	7.6	7.6
XFAM-010Z-TFC-081	7.6	7.6	7.6
XFAM-012Z-CFV-081	7.6	7.6	7.6
XFAM-012Z-TFC-081	7.6	7.6	7.6
XFAM-015Z-CFV-081	7.6	7.6	7.6
XFAM-015Z-TFC-081	7.6	7.6	7.6
XFAM-017Z-CFV-081	7.6	7.6	7.6
XFAM-017Z-TFC-081	7.6	7.6	7.6
XFAM-020Z-CFV-081	7.6	7.6	7.6
XFAM-020Z-TFC-081	7.6	7.6	7.6
XFAM-022Z-CFV-081	7.6	7.6	7.6
XFAM-022Z-TFC-081	7.6	7.6	7.6
XFAM-025Z-CFV-081	7.6	7.6	7.6
XFAM-025Z-TFC-081	7.6	7.6	7.6
XFAM-030Z-CFV-081	7.6	7.6	7.6
XFAM-030Z-TFC-081	7.6	7.6	7.6
XFAM-033Z-CFV-081	7.6	7.6	7.6
XFAM-033Z-TFC-081	7.6	7.6	7.6
XFAM-037Z-CFV-081	7.6	7.6	7.6
XFAM-037Z-TFC-081	7.6	7.6	7.6
XFAM-045Z-CFV-081	7.6	7.6	7.6
XFAM-045Z-TFC-081	7.6	7.6	7.6
XFAM-045Z-TFD-080	7.6	7.6	7.6
XFAM-050Z-CFV-081	7.6	7.6	7.6
XFAM-050Z-TFC-081	7.6	7.6	7.6
XFAM-050Z-TFD-080	7.6	7.6	7.6
XFAM-060Z-TFC-081	7.6	7.6	7.6
XFAM-060Z-TFD-080	7.6	7.6	7.6
XFAP-015Z-CFV-081	7.6	7.6	7.6
XFAP-015Z-TFC-081	7.6	7.6	7.6
XFAP-017Z-CFV-081	7.6	7.6	7.6
XFAP-017Z-TFC-081	7.6	7.6	7.6
XFAP-020Z-CFV-081	7.6	7.6	7.6
XFAP-020Z-TFC-081	7.6	7.6	7.6
XFAP-022Z-CFV-081	7.6	7.6	7.6
XFAP-022Z-TFC-081	7.6	7.6	7.6
XFAP-025Z-CFV-081	7.6	7.6	7.6
XFAP-025Z-TFC-081	7.6	7.6	7.6
XFAP-030Z-CFV-081	7.6	7.6	7.6
XFAP-030Z-TFC-081	7.6	7.6	7.6
XFAP-033Z-CFV-081	7.6	7.6	7.6
XFAP-033Z-TFC-081	7.6	7.6	7.6
XFAP-037Z-CFV-081	7.6	7.6	7.6
XFAP-037Z-TFC-081	7.6	7.6	7.6
XFAP-045Z-CFV-081	7.6	7.6	7.6
XFAP-045Z-TFC-081	7.6	7.6	7.6
XFAP-050Z-CFV-081	7.6	7.6	7.6
XFAP-050Z-TFC-081	7.6	7.6	7.6
XFAP-060Z-TFC-081	7.6	7.6	7.6
Medium Temp Digital			
XFAM-030D-CFV-081	7.6	7.6	7.6
XFAM-030D-TFC-081	7.6	7.6	7.6
XFAM-040D-TFC-081	7.6	7.6	7.6
XFAM-050D-CFV-081	7.6	7.6	7.6
XFAM-050D-TFC-081	7.6	7.6	7.6
XFAM-060D-TFC-081	7.6	7.6	7.6

Outdoor AWEF Freezer Scores

If a score is shown in the table below, the following statement applies: *This refrigeration system is designed and certified for use in walk-in freezer applications.*

Model Number	R-404A	R-407A	R-448A R-449A
Low-Temp			
XFAL-008Z-CFV-081	2.91	2.89	2.9
XFAL-008Z-TFC-081	2.91	2.89	2.9
XFAL-009Z-CFV-081	2.93	2.94	2.95
XFAL-009Z-TFC-081	2.93	2.94	2.95
XFAL-010Z-CFV-081	3.02	2.97	2.99
XFAL-010Z-TFC-081	3.02	2.97	2.99
XFAL-012Z-CFV-081	3.15	3.13	3.13
XFAL-012Z-TFC-081	3.15	3.13	3.13
XFAL-020Z-CFV-081	3.15	3.15	3.15
XFAL-020Z-TFC-081	3.15	3.15	3.15
XFAL-030Z-TFC-081	3.15	3.15	3.15
XFAL-035Z-CFV-081	3.15	3.15	3.15
XFAL-035Z-TFC-081	3.15	3.15	3.15
XFAL-040Z-CFV-081	3.15	3.15	3.15
XFAL-040Z-TFC-081	3.15	3.15	3.15
XFAL-050Z-TFC-081	3.15	3.15	3.15
XFAL-051Z-CFV-081	3.15	-	3.15
XFAL-060Z-TFC-081	3.15	3.15	3.15

X-Line Service - Low Temp (3/4 - 1 1/4 HP)

Production Part	Description	XFAL-008Z-CFV-081	XFAL-008Z-TFC-081	XFAL-009Z-CFV-081	XFAL-009Z-TFC-081	XFAL-010Z-CFV-081	XFAL-010Z-TFC-081	XFAL-012Z-CFV-081	XFAL-012Z-TFC-081
022-0644-00	BASE PLATE KIT	922-0644-00	922-0644-00	922-0644-00	922-0644-00	922-0644-00	922-0644-00	922-0644-00	922-0644-00
083-6931-00	BLADE KIT	983-6931-00	983-6931-00	983-6931-00	983-6931-00	983-6931-00	983-6931-00	983-6931-00	983-6931-00
062-7053-00	BOX-ELECTRICAL	062-7053-00	062-7053-00	062-7053-00	062-7053-00	062-7053-00	062-7053-00	062-7053-00	062-7053-00
074-1205-00	BRACKET-STABILIZER TOP	074-1205-00	074-1205-00	074-1205-00	074-1205-00	074-1205-00	074-1205-00	074-1205-00	074-1205-00
074-1424-00	BRACKET-FAN MOTOR	074-1424-00	074-1424-00	074-1424-00	074-1424-00	074-1424-00	074-1424-00	074-1424-00	074-1424-00
074-7284-00	BRACKET-COVER RIGHT	074-7284-00	074-7284-00	074-7284-00	074-7284-00	074-7284-00	074-7284-00	074-7284-00	074-7284-00
074-7282-00	BRACKET-MOUNTING	074-7282-00	074-7282-00	074-7282-00	074-7282-00	074-7282-00	074-7282-00	074-7282-00	074-7282-00
071-7018-00	CIRCUIT BREAKER KIT	971-7018-00	971-7018-00	971-7018-00	971-7018-00	971-7018-00	971-7018-00	971-7018-00	971-7018-00
529-0222-01	CABLE-WIRE HARNESS	529-0222-01	529-0222-01	529-0222-01	529-0222-01	529-0222-01	529-0222-01	529-0222-01	529-0222-01
014-0083-00	FAN CAPACITOR KIT	914-0083-00	914-0083-00	914-0083-00	914-0083-00	914-0083-00	914-0083-00	914-0083-00	914-0083-00
014-0064-06	RUN CAP KIT W/CLAMP	914-0037-10		914-0037-10		914-0037-10			
014-0064-25	RUN CAP KIT							914-0037-36	
014-0061-27	CAP START KIT	914-0036-03		914-0036-03		914-0036-03		914-0036-03	
032-0359-08	CLAMP-CAPACITOR	032-0359-08		032-0359-08		032-0359-08		032-0359-08	
032-0743-01	CLAMP-CAPACITOR	032-0743-01	032-0743-01	032-0743-01	032-0743-01	032-0743-01	032-0743-01	032-0743-01	032-0743-01
032-0688-02	CLIP-PIPE	032-0688-02	032-0688-02	032-0688-02	032-0688-02	032-0688-02	032-0688-02	032-0688-02	032-0688-02
032-0731-00	CLIP-SENSOR	032-0731-00	032-0731-00	032-0731-00	032-0731-00	032-0731-00	032-0731-00	032-0731-00	032-0731-00
012-1401-04	CONTACTOR KIT	912-1401-04		912-1401-04		912-1401-04		912-1401-04	
012-1401-06	CONTACTOR KIT		912-3040-02		912-3040-02		912-3040-02		912-3040-02
543-0214-00	XCM25D ELECT UNIT CONTROL- LER	943-0214-00	943-0214-00	943-0214-00	943-0214-00	943-0214-00	943-0214-00	943-0214-00	943-0214-00
085-7031-06	PRESSURE CONTROL KIT	985-7031-06	985-7031-06	985-7031-06	985-7031-06	985-7031-06	985-7031-06	985-7031-06	985-7031-06
005-7230-00	ELECT BOX COVER KIT	905-7230-00	905-7230-00	905-7230-00	905-7230-00	905-7230-00	905-7230-00	905-7230-00	905-7230-00
005-7193-00	HANDLE COVER KIT	905-7193-00	905-7193-00	905-7193-00	905-7193-00	905-7193-00	905-7193-00	905-7193-00	905-7193-00
005-1331-00	RIGHT PANEL KIT	905-1331-00	905-1331-00	905-1331-00	905-1331-00	905-1331-00	905-1331-00	905-1331-00	905-1331-00
005-1280-00	WIDE GRIP HAND KIT	905-1280-00	905-1280-00	905-1280-00	905-1280-00	905-1280-00	905-1280-00	905-1280-00	905-1280-00
005-1273-00	TOP PANEL KIT	905-1273-00	905-1273-00	905-1273-00	905-1273-00	905-1273-00	905-1273-00	905-1273-00	905-1273-00
040-0181-00	DEFROST RELAY KIT	940-0181-00	940-0181-00	940-0181-00	940-0181-00	940-0181-00	940-0181-00	940-0181-00	940-0181-00
505-7099-00	DOOR ASSEMBLY	505-7099-00	505-7099-00	505-7099-00	505-7099-00	505-7099-00	505-7099-00	505-7099-00	505-7099-00
013-7000-31	FILTER DRIER KIT	913-7000-31	913-7000-31	913-7000-31	913-7000-31	913-7000-31	913-7000-31	913-7000-31	913-7000-31
024-0263-00	COIL GUARD KIT	924-0263-00	924-0263-00	924-0263-00	924-0263-00	924-0263-00	924-0263-00	924-0263-00	924-0263-00
024-0264-00	FAN GUARD KIT	924-0264-00	924-0264-00	924-0264-00	924-0264-00	924-0264-00	924-0264-00	924-0264-00	924-0264-00
005-7193-01	HANDLE COVER KIT	905-7193-01	905-7193-01	905-7193-01	905-7193-01	905-7193-01	905-7193-01	905-7193-01	905-7193-01
018-0094-05	CRANKCASE HEATER KIT	918-0052-05	918-0052-05	918-0052-05	918-0052-05	918-0052-05	918-0052-05	918-0052-05	918-0052-05
018-7013-00	RECEIVER HEAT KIT	918-0100-00	918-0100-00	918-0100-00	918-0100-00	918-0100-00	918-0100-00	918-0100-00	918-0100-00
032-0592-00	HOLDER-SENSOR	032-0592-00	032-0592-00	032-0592-00	032-0592-00	032-0592-00	032-0592-00	032-0592-00	032-0592-00
943-0039-00	HOTKEY PROGRAM GROUP	943-0039-00	943-0039-00	943-0039-00	943-0039-00	943-0039-00	943-0039-00	943-0039-00	943-0039-00
570-7003-06	MOISTURE INDICATOR KIT	970-7003-06	970-7003-06	970-7003-06	970-7003-06	970-7003-06	970-7003-06	970-7003-06	970-7003-06
050-0316-01	MOTOR-FAN	050-0316-01	050-0316-01	050-0316-01	050-0316-01	050-0316-01	050-0316-01	050-0316-01	050-0316-01
003-1487-00	DIVIDER PLATE KIT	903-1487-00	903-1487-00	903-1487-00	903-1487-00	903-1487-00	903-1487-00	903-1487-00	903-1487-00
005-7215-00	LEFT FRONT PANEL KIT	905-7215-00	905-7215-00	905-7215-00	905-7215-00	905-7215-00	905-7215-00	905-7215-00	905-7215-00
529-0060-04	POWER CABLE-MOLDED PLUG	529-0060-04	529-0060-04	529-0060-04	529-0060-04	529-0060-04	529-0060-04	529-0060-04	529-0060-04
577-0542-03	RECEIVER ASSEMBLY	577-0542-03	577-0542-03	577-0542-03	577-0542-03	577-0542-03	577-0542-03	577-0542-03	577-0542-03
040-0166-37	RELAY-POTENTIAL KIT	940-0001-79		940-0001-79		940-0001-79		940-0001-79	
529-0220-**	SENSOR & CLIP MASTER KIT	929-0304-00	929-0304-00	929-0304-00	929-0304-00	929-0304-00	929-0304-00	929-0304-00	929-0304-00
077-0037-01	ACCUMULATOR TANK KIT	977-0037-01	977-0037-01	977-0037-01	977-0037-01	977-0037-01	977-0037-01	977-0037-01	977-0037-01
077-0057-00	OIL SEPARATOR TANK KIT	977-0057-00	977-0057-00	977-0057-00	977-0057-00	977-0057-00	977-0057-00	977-0057-00	977-0057-00
080-0139-08	TERMINAL BLOCK KIT	980-0139-08	980-0139-08	980-0139-08	980-0139-08	980-0139-08	980-0139-08	980-0139-08	980-0139-08
080-0139-09	TERMINAL BLOCK KIT	980-0139-09	980-0139-09	980-0139-09	980-0139-09	980-0139-09	980-0139-09	980-0139-09	980-0139-09
580-0086-00	TERMINAL BLOCK ASSM KIT	980-0086-00		980-0086-00		980-0086-00		980-0086-00	
580-0086-01	TERMINAL BLOCK ASSM KIT		980-0086-01		980-0086-01		980-0086-01		980-0086-01

X-Line Service - Low Temp (3/4 - 1 1/4 HP)

Production Part	Description	XFAL-008Z-CFV-081	XFAL-008Z-TFC-081	XFAL-009Z-CFV-081	XFAL-009Z-TFC-081	XFAL-010Z-CFV-081	XFAL-010Z-TFC-081	XFAL-012Z-CFV-081	XFAL-012Z-TFC-081
039-0026-06	EUC SUCTION PRESSURE TRANSDUCER	929-0114-00	929-0114-00	929-0114-00	929-0114-00	929-0114-00	929-0114-00	929-0114-00	929-0114-00
037-0038-03	TRANSFORMER CONTROL	037-0038-03	037-0038-03	037-0038-03	037-0038-03	037-0038-03	037-0038-03	037-0038-03	037-0038-03
510-7062-00	ACCESS VALVE KIT	910-7062-00	910-7062-00	910-7062-00	910-7062-00	910-7062-00	910-7062-00	910-7062-00	910-7062-00
010-7003-01	CHECK VALVE KIT	910-7003-01	910-7003-01	910-7003-01	910-7003-01	910-7003-01	910-7003-01	910-7003-01	910-7003-01
510-0995-00	VALVE-DTC GROUP	998-0746-00	998-0746-00	998-0746-00	998-0746-00	998-0746-00	998-0746-00	998-0746-00	998-0746-00
510-0730-01	PRESSURE VALVE KIT	910-0730-00	910-0730-00	910-0730-00	910-0730-00	910-0730-00	910-0730-00	910-0730-00	910-0730-00
003-1220-00	X-LINE VALVE PLATE KIT	903-1220-00	903-1220-00	903-1220-00	903-1220-00	903-1220-00	903-1220-00	903-1220-00	903-1220-00
010-0142-02	LIQUID LINE RECEIVER KIT-MT	910-0142-02	910-0142-02	910-0142-02	910-0142-02	910-0142-02	910-0142-02	910-0142-02	910-0142-02
010-0179-00	LIQUID BASE VALVE KIT	910-7009-01	910-7009-01	910-7009-01	910-7009-01	910-7009-01	910-7009-01	910-7009-01	910-7009-01
010-0180-00	SERVICE VALVE KIT	910-0180-00	910-0180-00	910-0180-00	910-0180-00	910-0180-00	910-0180-00	910-0180-00	910-0180-00
ZF03KAE-PFV-118	WELD COMP	ZF03KAE-PFV-818							
ZF03KAE-TF5-118	WELD COMP		ZF03KAE-TF5-818						
ZF04KAE-PFV-118	WELD COMP			ZF04KAE-PFV-818					
ZF04KAE-TF5-118	WELD COMP				ZF04KAE-TF5-818				
ZF05KAE-PFV-118	WELD COMP					ZF05KAE-PFV-818			
ZF05KAE-TF5-118	WELD COMP						ZF05KAE-TF5-818		
ZF07KAE-PFV-118	WELD COMP							ZF07KAE-PFV-818	
ZF07KAE-TF5-118	WELD COMP								ZF07KAE-TF5-818
Accessories									
	Master Service Kit	980-0080-00	980-0080-00	980-0080-00	980-0080-00	980-0080-00	980-0080-00	980-0080-00	980-0080-00
	Wall Bracket	074-7286-00	074-7286-00	074-7286-00	074-7286-00	074-7286-00	074-7286-00	074-7286-00	074-7286-00
	Adjustable Stand	074-7289-00	074-7289-00	074-7289-00	074-7289-00	074-7289-00	074-7289-00	074-7289-00	074-7289-00
	CoreSense Communications Kit (PC Interface Kit)	943-0224-00	943-0224-00	943-0224-00	943-0224-00	943-0224-00	943-0224-00	943-0224-00	943-0224-00
	Remote Display - Controller	943-0058-00	943-0058-00	943-0058-00	943-0058-00	943-0058-00	943-0058-00	943-0058-00	943-0058-00
	DI3 Cable Kit	929-0220-16	929-0220-16	929-0220-16	929-0220-16	929-0220-16	929-0220-16	929-0220-16	929-0220-16
	Wind Baffle Kit*	998-0877-00	998-0877-00	998-0877-00	998-0877-00	998-0877-00	998-0877-00	998-0877-00	998-0877-00
	External Receiver Tank	977-0033-00	977-0033-00	977-0033-00	977-0033-00	977-0033-00	977-0033-00	977-0033-00	977-0033-00

*Requires Quantity 2 for Dual Fan Units

X-Line Service - Low Temp (2 - 6 HP)

Production Part	Description	XFAL-020Z-CFV-081	XFAL-020Z-TFC-081	XFAL-030Z-TFC-081	XFAL-035Z-CFV-081	XFAL-035Z-TFC-081	XFAL-040Z-CFV-081	XFAL-040Z-TFC-081	XFAL-050Z-TFC-081	XFAL-051Z-CFV-081	XFAL-060Z-TFC-081
022-0644-00	BASE PLATE KIT	922-0644-00	922-0644-00	922-0644-00	922-0644-00	922-0644-00	922-0644-00	922-0644-00	922-0644-00	922-0644-00	922-0644-00
083-6931-00	BLADE KIT	983-6931-00	983-6931-00	983-6931-00	983-6931-00	983-6931-00	983-6931-00	983-6931-00	983-6931-00	983-6931-00	983-6931-00
062-7053-00	BOX-ELECTRICAL	062-7053-00	062-7053-00	062-7053-00	062-7053-00	062-7053-00	062-7053-00	062-7053-00	062-7053-00	062-7053-00	062-7053-00
074-1205-00	BRACKET-STABILIZER TOP	074-1205-00	074-1205-00	074-1205-00	074-1205-00	074-1205-00	074-1205-00	074-1205-00	074-1205-00	074-1205-00	074-1205-00
074-1424-00	BRACKET-FAN MOTOR	074-1424-00	074-1424-00	074-1424-00	074-1424-00	074-1424-00					
074-1425-00	BRACKET-FAN MOTOR						074-1425-00	074-1425-00	074-1425-00	074-1425-00	074-1425-00
074-7284-00	BRACKET-COVER RIGHT	074-7284-00	074-7284-00	074-7284-00	074-7284-00	074-7284-00	074-7284-00	074-7284-00	074-7284-00	074-7284-00	074-7284-00
074-7283-00	BRACKET-HEAT EXCHANGER	074-7283-00	074-7283-00	074-7283-00	074-7283-00	074-7283-00	074-7283-00	074-7283-00	074-7283-00	074-7283-00	074-7283-00
074-7282-00	BRACKET-MOUNTING	074-7282-00	074-7282-00	074-7282-00	074-7282-00	074-7282-00	074-7282-00	074-7282-00	074-7282-00	074-7282-00	074-7282-00
071-7018-00	CIRCUIT BREAKER KIT	971-7018-00	971-7018-00	971-7018-00	971-7018-00	971-7018-00	971-7018-00	971-7018-00	971-7018-00	971-7018-00	971-7018-00
529-0222-01	CABLE-WIRE HARNESS	529-0222-01	529-0222-01	529-0222-01	529-0222-01	529-0222-01					
529-0222-02	CABLE-WIRE HARNESS						529-0222-02	529-0222-02	529-0222-02	529-0222-02	529-0222-02
014-0083-00	FAN CAPACITOR KIT	914-0083-00	914-0083-00	914-0083-00	914-0083-00	914-0083-00	914-0083-00	914-0083-00	914-0083-00	914-0083-00	914-0083-00
014-0064-18	RUN CAP KIT				914-0037-22						
014-0064-25	RUN CAP KIT	914-0037-36									
014-0064-27	RUN CAP KIT						914-0037-38				
014-0064-35	RUN CAP KIT									914-0037-52	
014-0006-15	CAP START KIT									914-0006-10	
014-0061-27	CAP START KIT	914-0036-03			914-0036-03		914-0036-03				
032-0359-08	CLAMP-CAPACITOR	032-0359-08			032-0359-08		032-0359-08				
032-0743-01	CLAMP-CAPACITOR	032-0743-01	032-0743-01	032-0743-01	032-0743-01	032-0743-01	032-0743-01	032-0743-01	032-0743-01	032-0743-01	032-0743-01
032-0359-09	CLAMP-CAPACITOR				032-0359-09					032-0359-09	
032-7052-00	CLAMP-HEAT EXCHANGER	032-7052-00	032-7052-00	032-7052-00	032-7052-00	032-7052-00	032-7052-00	032-7052-00	032-7052-00	032-7052-00	032-7052-00
032-0688-02	CLIP-PIPE	032-0688-02	032-0688-02	032-0688-02	032-0688-02	032-0688-02	032-0688-02	032-0688-02	032-0688-02	032-0688-02	032-0688-02
032-0731-00	CLIP-SENSOR	032-0731-00	032-0731-00	032-0731-00	032-0731-00	032-0731-00	032-0731-00	032-0731-00	032-0731-00	032-0731-00	032-0731-00
023-0068-04	EXV INJECTION COIL KIT	923-0068-00	923-0068-00	923-0068-00	923-0068-00	923-0068-00					
023-0068-00	EXV INJECTION COIL KIT						923-0068-03	923-0068-03	923-0068-03	923-0068-03	923-0068-03
012-1401-04	CONTACTOR KIT	912-1401-04			912-1401-04		912-1401-04			912-1401-04	
012-1401-06	CONTACTOR KIT		912-3040-02	912-3040-02		912-3040-02		912-3040-02	912-3040-02		912-3040-02
543-0214-00	XCM25D ELECT UNIT CONTROL- LER	943-0214-00	943-0214-00	943-0214-00	943-0214-00	943-0214-00	943-0214-00	943-0214-00	943-0214-00	943-0214-00	943-0214-00
085-7031-06	PRESSURE CONTROL KIT	985-7031-06	985-7031-06	985-7031-06	985-7031-06	985-7031-06	985-7031-06	985-7031-06	985-7031-06	985-7031-06	985-7031-06
005-7230-00	ELECT BOX COVER KIT	905-7230-00	905-7230-00	905-7230-00	905-7230-00	905-7230-00	905-7230-00	905-7230-00	905-7230-00	905-7230-00	905-7230-00
005-7193-00	HANDLE COVER KIT	905-7193-00	905-7193-00	905-7193-00	905-7193-00	905-7193-00	905-7193-00	905-7193-00	905-7193-00	905-7193-00	905-7193-00
005-1331-00	RIGHT PANEL KIT	905-1331-00	905-1331-00	905-1331-00	905-1331-00	905-1331-00					
005-1876-00	KIT-RIGHT PANEL						905-1332-00	905-1332-00	905-1332-00	905-1332-00	905-1332-00
005-1280-00	WIDE GRIP HAND KIT	905-1280-00	905-1280-00	905-1280-00	905-1280-00	905-1280-00	905-1280-00	905-1280-00	905-1280-00	905-1280-00	905-1280-00
005-1273-00	TOP PANEL KIT	905-1273-00	905-1273-00	905-1273-00	905-1273-00	905-1273-00	905-1273-00	905-1273-00	905-1273-00	905-1273-00	905-1273-00
903-1576-00	DIVIDER PLATE KIT						903-1576-00	903-1576-00	903-1576-00	903-1576-00	903-1576-00
505-7098-00	DOOR ASSEMBLY						505-7098-00	505-7098-00	505-7098-00	505-7098-00	505-7098-00
505-7099-00	DOOR ASSEMBLY	505-7099-00	505-7099-00	505-7099-00	505-7099-00	505-7099-00					
013-7000-31	FILTER DRIER KIT	913-7000-31	913-7000-31	913-7000-31	913-7000-31	913-7000-31	913-7000-31	913-7000-31	913-7000-31	913-7000-31	913-7000-31
013-7026-00	FILTER SCREEN KIT	913-7026-00	913-7026-00	913-7026-00	913-7026-00	913-7026-00	913-7026-00	913-7026-00	913-7026-00	913-7026-00	913-7026-00
024-0262-00	KIT-COIL GUARD						924-0262-00	924-0262-00	924-0262-00	924-0262-00	924-0262-00
024-0263-00	COIL GUARD KIT	924-0263-00	924-0263-00	924-0263-00	924-0263-00	924-0263-00					
024-0264-00	FAN GUARD KIT	924-0264-00	924-0264-00	924-0264-00	924-0264-00	924-0264-00	924-0264-00	924-0264-00	924-0264-00	924-0264-00	924-0264-00
005-7193-01	HANDLE COVER KIT	905-7193-01	905-7193-01	905-7193-01	905-7193-01	905-7193-01	905-7193-01	905-7193-01	905-7193-01	905-7193-01	905-7193-01
967-0025-00	HEAT EXCHANGER							967-0025-00	967-0025-00		967-0025-00
967-0025-01	HEAT EXCHANGER	967-0025-01	967-0025-01	967-0025-01							
018-0094-05	CRANKCASE HEATER KIT	918-0052-05	918-0052-05	918-0052-05							
018-0095-04	HEATER-CRANKCASE				918-0043-00	918-0043-00	918-0043-00	918-0043-00	918-0043-00	918-0043-00	918-0043-00
018-7013-00	RECEIVER HEAT KIT	918-0100-00	918-0100-00	918-0100-00	918-0100-00	918-0100-00	918-0100-00	918-0100-00	918-0100-00	918-0100-00	918-0100-00
032-0592-00	HOLDER-SENSOR	032-0592-00	032-0592-00	032-0592-00	032-0592-00	032-0592-00	032-0592-00	032-0592-00	032-0592-00	032-0592-00	032-0592-00
943-0039-00	HOTKEY PROGRAM GROUP	943-0039-00	943-0039-00	943-0039-00	943-0039-00	943-0039-00	943-0039-00	943-0039-00	943-0039-00	943-0039-00	943-0039-00
570-7003-06	MOISTURE INDICATOR KIT	970-7003-06	970-7003-06	970-7003-06	970-7003-06	970-7003-06	970-7003-06	970-7003-06	970-7003-06	970-7003-06	970-7003-06
050-0316-01	MOTOR-FAN	050-0316-01	050-0316-01	050-0316-01	050-0316-01	050-0316-01	050-0316-01	050-0316-01	050-0316-01	050-0316-01	050-0316-01
003-1487-00	DIVIDER PLATE KIT	903-1487-00	903-1487-00	903-1487-00	903-1487-00	903-1487-00					
003-1576-00	DIVIDER PLATE KIT						903-1576-00	903-1576-00	903-1576-00	903-1576-00	903-1576-00
005-7214-00	KIT-LEFT FRONT PANEL						905-7214-00	905-7214-00	905-7214-00	905-7214-00	905-7214-00
005-7215-00	LEFT FRONT PANEL KIT	905-7215-00	905-7215-00	905-7215-00	905-7215-00	905-7215-00					
529-0060-04	POWER CABLE-MOLDED PLUG	529-0060-04	529-0060-04	529-0060-04	529-0060-04	529-0060-04					
529-0060-25	POWER CABLE-MOLDED PLUG						529-0060-25	529-0060-25	529-0060-25		
577-0542-03	RECEIVER ASSEMBLY	577-0542-03	577-0542-03	577-0542-03	577-0542-03	577-0542-03					
577-0542-04	RECEIVER ASSEMBLY						577-0542-04	577-0542-04	577-0542-04		577-0542-04
577-0542-05	RECEIVER ASSEMBLY									577-0542-05	
040-0166-37	RELAY-POTENTIAL KIT	940-0001-79			940-0001-79		940-0001-79				

X-Line Service - Low Temp (2 - 6 HP)

Production Part	Description	XFAL-020Z-CFV-081	XFAL-020Z-TFC-081	XFAL-030Z-TFC-081	XFAL-035Z-CFV-081	XFAL-035Z-TFC-081	XFAL-040Z-CFV-081	XFAL-040Z-TFC-081	XFAL-050Z-TFC-081	XFAL-051Z-CFV-081	XFAL-060Z-TFC-081
040-0181-00	DEFROST RELAY KIT	940-0181-00	940-0181-00	940-0181-00	940-0181-00	940-0181-00	940-0181-00	940-0181-00	940-0181-00	940-0181-00	940-0181-00
040-0046-24	RELAY-POTENTIAL KIT									940-0046-24	
529-0220-**	SENSOR & CLIP MASTER KIT	929-0304-00	929-0304-00	929-0304-00	929-0304-00	929-0304-00	929-0304-00	929-0304-00	929-0304-00	929-0304-00	929-0304-00
077-0036-01	ACCUMULATOR TANK KIT						977-0036-01	977-0036-01	977-0036-01	977-0036-01	977-0036-01
077-0037-01	ACCUMULATOR TANK KIT	977-0037-01	977-0037-01	977-0037-01	977-0037-01	977-0037-01					
077-0057-00	OIL SEPARATOR TANK KIT	977-0057-00	977-0057-00	977-0057-00	977-0057-00	977-0057-00	977-0057-00	977-0057-00	977-0057-00	977-0057-00	977-0057-00
080-0139-08	TERMINAL BLOCK KIT	980-0139-08	980-0139-08	980-0139-08	980-0139-08	980-0139-08	980-0139-08	980-0139-08	980-0139-08	980-0139-08	980-0139-08
080-0139-09	TERMINAL BLOCK KIT	980-0139-09	980-0139-09	980-0139-09	980-0139-09	980-0139-09	980-0139-09	980-0139-09	980-0139-09	980-0139-09	980-0139-09
580-0086-00	TERMINAL BLOCK ASSM KIT	980-0086-00			980-0086-00		980-0086-00			980-0086-00	
580-0086-01	TERMINAL BLOCK ASSM KIT		980-0086-01	980-0086-01		980-0086-01		980-0086-01	980-0086-01		980-0086-01
039-0026-06	EUC SUCTION PRESSURE TRANSDUCER	929-0114-00	929-0114-00	929-0114-00	929-0114-00	929-0114-00	929-0114-00	929-0114-00	929-0114-00	929-0114-00	
037-0038-03	TRANSFORMER CONTROL	037-0038-03	037-0038-03	037-0038-03	037-0038-03	037-0038-03	037-0038-03	037-0038-03	037-0038-03	037-0038-03	037-0038-03
510-7062-00	ACCESS VALVE KIT	910-7062-00	910-7062-00	910-7062-00	910-7062-00	910-7062-00	910-7062-00	910-7062-00	910-7062-00	910-7062-00	910-7062-00
010-7003-01	CHECK VALVE KIT	910-7003-01	910-7003-01	910-7003-01	910-7003-01	910-7003-01	910-7003-01	910-7003-01	910-7003-01	910-7003-01	910-7003-01
010-0104-00	EXV INJECTION VALVE KIT	910-0104-00	910-0104-00	910-0104-00	910-0104-00	910-0104-00	910-0104-00	910-0104-00	910-0104-00	910-0104-00	910-0104-00
510-0730-01	PRESSURE VALVE KIT	910-0730-00	910-0730-00	910-0730-00	910-0730-00	910-0730-00	910-0730-00	910-0730-00	910-0730-00	910-0730-00	910-0730-00
003-1220-00	X-LINE VALVE PLATE KIT	903-1220-00	903-1220-00	903-1220-00	903-1220-00	903-1220-00	903-1220-00	903-1220-00	903-1220-00	903-1220-00	903-1220-00
010-0142-02	LIQUID LINE REC KIT-MT	910-0142-02	910-0142-02	910-0142-02	910-0142-02	910-0142-02	910-0142-02	910-0142-02	910-0142-02	910-0142-02	910-0142-02
010-0179-00	LIQUID BASE VALVE KIT	910-7009-01	910-7009-01	910-7009-01	910-7009-01	910-7009-01	910-7009-01	910-7009-01	910-7009-01	910-7009-01	910-7009-01
010-0180-00	SERVICE VALVE KIT	910-0180-00	910-0180-00	910-0180-00	910-0180-00	910-0180-00	910-0180-00	910-0180-00	910-0180-00	910-0180-00	910-0180-00
ZXI06KCE-PFV-687	WELD COMP	ZXI06KCE-PFV-887									
ZXI06KCE-TF5-687	WELD COMP		ZXI06KCE-TF5-887								
ZXI09KCE-TF5-687	WELD COMP			ZXI09KCE-TF5-887							
ZXI11KCE-PFV-647	WELD COMP				ZXI11KCE-PFV-847						
ZXI11KCE-TF5-647	WELD COMP					ZXI11KCE-TF5-847					
ZXI14KCE-PFV-647	WELD COMP						ZXI14KCE-PFV-847				
ZXI14KCE-TF5-647	WELD COMP							ZXI14KCE-TF5-847			
ZXI15KCE-TF5-647	WELD COMP								ZXI15KCE-TF5-847		
ZXI16KCE-PFV-557	WELD COMP									ZXI16KCE-PFV-957	
ZXI18KCE-TF5-557	WELD COMP										ZXI18KCE-TF5-957
Accessories											
	Master Service Kit	980-0080-00	980-0080-00	980-0080-00	980-0080-00	980-0080-00	980-0080-00	980-0080-00	980-0080-00	980-0080-00	980-0080-00
	Wall Bracket	074-7286-00	074-7286-00	074-7286-00	074-7286-00	074-7286-00	074-7286-00	074-7286-00	074-7286-00	074-7286-00	074-7286-00
	Adjustable Stand	074-7289-00	074-7289-00	074-7289-00	074-7289-00	074-7289-00	074-7289-00	074-7289-00	074-7289-00	074-7289-00	074-7289-00
	CoreSense Communications Kit (PC Interface Kit)	943-0224-00	943-0224-00	943-0224-00	943-0224-00	943-0224-00	943-0224-00	943-0224-00	943-0224-00	943-0224-00	943-0224-00
	Remote Display - Controller	943-0058-00	943-0058-00	943-0058-00	943-0058-00	943-0058-00	943-0058-00	943-0058-00	943-0058-00	943-0058-00	943-0058-00
	DI3 Cable Kit	929-0220-16	929-0220-16	929-0220-16	929-0220-16	929-0220-16	929-0220-16	929-0220-16	929-0220-16	929-0220-16	929-0220-16
	Wind Baffle Kit*	998-0877-00	998-0877-00	998-0877-00	998-0877-00	998-0877-00	998-0877-00	998-0877-00	998-0877-00	998-0877-00	998-0877-00
	External Receiver Tank	977-0033-00	977-0033-00	977-0033-00	977-0033-00	977-0033-00	977-0033-00	977-0033-00	977-0033-00	977-0033-00	977-0033-00

*Requires Quantity 2 for Dual Fan Units

X-Line Service - Medium Temp

Production Part	Description	XFAM-008Z	XFAM-008Z	XFAM-010Z	XFAM-010Z	XFAM-012Z	XFAM-012Z	XFAM-015Z	XFAM-015Z	XFAM-017Z	XFAM-017Z
		CFV-081	TFC-081	CFV-081	TFC-081	CFV-081	TFC-081	CFV-081	TFC-081	CFV-081	TFC-081
022-0644-00	BASE-PLATE	922-0644-00	922-0644-00	922-0644-00	922-0644-00	922-0644-00	922-0644-00	922-0644-00	922-0644-00	922-0644-00	922-0644-00
083-6931-00	BLADE KIT	983-6931-00	983-6931-00	983-6931-00	983-6931-00	983-6931-00	983-6931-00	983-6931-00	983-6931-00	983-6931-00	983-6931-00
062-7053-00	BOX-ELECTRICAL	062-7053-00	062-7053-00	062-7053-00	062-7053-00	062-7053-00	062-7053-00	062-7053-00	062-7053-00	062-7053-00	062-7053-00
074-1205-00	BRACKET-STABILIZER TOP	074-1205-00	074-1205-00	074-1205-00	074-1205-00	074-1205-00	074-1205-00	074-1205-00	074-1205-00	074-1205-00	074-1205-00
074-1207-01	BRACKET-EXV	074-1207-01	074-1207-01	074-1207-01	074-1207-01	074-1207-01	074-1207-01	074-1207-01	074-1207-01	074-1207-01	074-1207-01
074-1424-00	BRACKET-FAN MOTOR	074-1424-00	074-1424-00	074-1424-00	074-1424-00	074-1424-00	074-1424-00	074-1424-00	074-1424-00	074-1424-00	074-1424-00
074-1425-00	BRACKET-FAN MOTOR										
074-7284-00	BRACKET-COVER RIGHT	074-7284-00	074-7284-00	074-7284-00	074-7284-00	074-7284-00	074-7284-00	074-7284-00	074-7284-00	074-7284-00	074-7284-00
071-7018-00	CIRCUIT BREAKER KIT	971-7018-00	971-7018-00	971-7018-00	971-7018-00	971-7018-00	971-7018-00	971-7018-00	971-7018-00	971-7018-00	971-7018-00
929-0304-00	SENSOR & CLIP MASTER KIT	929-0304-00	929-0304-00	929-0304-00	929-0304-00	929-0304-00	929-0304-00	929-0304-00	929-0304-00	929-0304-00	929-0304-00
529-0222-01	CABLE-WIRE HARNESS	529-0222-01	529-0222-01	529-0222-01	529-0222-01	529-0222-01	529-0222-01	529-0222-01	529-0222-01	529-0222-01	529-0222-01
529-0222-02	CABLE-WIRE HARNESS										
029-0297-27	WIRE-ASSEMBLIES										
014-0083-00	FAN CAPACITOR KIT	914-0083-00	914-0083-00	914-0083-00	914-0083-00	914-0083-00	914-0083-00	914-0083-00	914-0083-00	914-0083-00	914-0083-00
014-0064-06	RUN CAP KIT W/CLAMP							914-0037-10		914-0037-10	
014-0064-07	RUN CAP KIT W/CLAMP	914-0037-11		914-0037-11		914-0037-11					
014-0064-08	RUN CAP KIT W/CLAMP										
014-0064-18	RUN CAP KIT										
014-0064-25	RUN CAP KIT										
014-0064-27	RUN CAP KIT										
014-0064-28	RUN CAP KIT										
014-0006-15	CAP START KIT										
014-0061-27	CAP START KIT	914-0036-03		914-0036-03		914-0036-03		914-0036-03		914-0036-03	
032-0359-07	CLAMP-CAPACITOR	032-0359-07	032-0359-07	032-0359-07	032-0359-07	032-0359-07	032-0359-07	032-0359-07		032-0359-07	
032-0359-08	CLAMP-CAPACITOR	032-0359-08	032-0359-08	032-0359-08	032-0359-08	032-0359-08	032-0359-08	032-0359-08		032-0359-08	
032-0743-01	CLAMP-CAPACITOR	032-0743-01	032-0743-01	032-0743-01	032-0743-01	032-0743-01	032-0743-01	032-0743-01	032-0743-01	032-0743-01	032-0743-01
032-7003-06	CLAMP-TUBE	032-7003-06	032-7003-06	032-7003-06	032-7003-06	032-7003-06	032-7003-06	032-7003-06	032-7003-06	032-7003-06	032-7003-06
032-0688-02	CLIP-PIPE	032-0688-02	032-0688-02	032-0688-02	032-0688-02	032-0688-02	032-0688-02	032-0688-02	032-0688-02	032-0688-02	032-0688-02
032-0731-00	CLIP-SENSOR	032-0731-00	032-0731-00	032-0731-00	032-0731-00	032-0731-00	032-0731-00	032-0731-00	032-0731-00	032-0731-00	032-0731-00
023-0068-00	EXV INJECTION COIL KIT										
023-0068-04	EXV INJECTION COIL KIT	923-0068-00	923-0068-00	923-0068-00	923-0068-00	923-0068-00	923-0068-00	923-0068-00	923-0068-00	923-0068-00	923-0068-00
012-1401-04	CONTACTOR KIT	912-1401-04		912-1401-04		912-1401-04		912-1401-04		912-1401-04	
012-1401-06	CONTACTOR KIT		912-3040-02		912-3040-02		912-3040-02		912-3040-02		912-3040-02
543-0214-00	XCM25D ELECT UNIT CONTROLLER	943-0214-00	943-0214-00	943-0214-00	943-0214-00	943-0214-00	943-0214-00	943-0214-00	943-0214-00	943-0214-00	943-0214-00
085-7031-06	PRESSURE CONTROL KIT	985-7031-06	985-7031-06	985-7031-06	985-7031-06	985-7031-06	985-7031-06	985-7031-06	985-7031-06	985-7031-06	985-7031-06
005-7230-00	ELECT BOX COVER KIT	905-7230-00	905-7230-00	905-7230-00	905-7230-00	905-7230-00	905-7230-00	905-7230-00	905-7230-00	905-7230-00	905-7230-00
005-7193-00	HANDLE COVER KIT	905-7193-00	905-7193-00	905-7193-00	905-7193-00	905-7193-00	905-7193-00	905-7193-00	905-7193-00	905-7193-00	905-7193-00
005-1331-00	RIGHT PANEL KIT	905-1331-00	905-1331-00	905-1331-00	905-1331-00	905-1331-00	905-1331-00	905-1331-00	905-1331-00	905-1331-00	905-1331-00
005-1876-00	KIT-RIGHT PANEL										
005-1280-00	WIDE GRIP HAND KIT	905-1280-00	905-1280-00	905-1280-00	905-1280-00	905-1280-00	905-1280-00	905-1280-00	905-1280-00	905-1280-00	905-1280-00
005-1273-00	TOP PANEL KIT	905-1273-00	905-1273-00	905-1273-00	905-1273-00	905-1273-00	905-1273-00	905-1273-00	905-1273-00	905-1273-00	905-1273-00
052-7287-22	DIAGRAM-WIRING										
505-7098-00	DOOR ASSEMBLY										
505-7099-00	DOOR ASSEMBLY	505-7099-00	505-7099-00	505-7099-00	505-7099-00	505-7099-00	505-7099-00	505-7099-00	505-7099-00	505-7099-00	505-7099-00
013-7000-31	FILTER DRIER KIT	913-7000-31	913-7000-31	913-7000-31	913-7000-31	913-7000-31	913-7000-31	913-7000-31	913-7000-31	913-7000-31	913-7000-31
024-0262-00	COIL GUARD KIT										
024-0263-00	COIL GUARD KIT	924-0263-00	924-0263-00	924-0263-00	924-0263-00	924-0263-00	924-0263-00	924-0263-00	924-0263-00	924-0263-00	924-0263-00
024-0264-00	FAN GUARD KIT	924-0264-00	924-0264-00	924-0264-00	924-0264-00	924-0264-00	924-0264-00	924-0264-00	924-0264-00	924-0264-00	924-0264-00
005-7193-01	HANDLE COVER KIT	905-7193-01	905-7193-01	905-7193-01	905-7193-01	905-7193-01	905-7193-01	905-7193-01	905-7193-01	905-7193-01	905-7193-01
018-0094-05	CRANKCASE HEATER KIT	918-0052-05	918-0052-05	918-0052-05	918-0052-05	918-0052-05	918-0052-05	918-0052-05	918-0052-05	918-0052-05	918-0052-05
018-0095-04	HEATER-CRANKCASE										
018-7013-00	RECEIVER HEAT KIT	918-0100-00	918-0100-00	918-0100-00	918-0100-00	918-0100-00	918-0100-00	918-0100-00	918-0100-00	918-0100-00	918-0100-00
032-0592-00	HOLDER-SENSOR	032-0592-00	032-0592-00	032-0592-00	032-0592-00	032-0592-00	032-0592-00	032-0592-00	032-0592-00	032-0592-00	032-0592-00
943-0039-00	HOTKEY PROGRAM GROUP	943-0039-00	943-0039-00	943-0039-00	943-0039-00	943-0039-00	943-0039-00	943-0039-00	943-0039-00	943-0039-00	943-0039-00
570-7003-06	MOISTURE INDICATOR KIT	970-7003-06	970-7003-06	970-7003-06	970-7003-06	970-7003-06	970-7003-06	970-7003-06	970-7003-06	970-7003-06	970-7003-06
050-0316-01	MOTOR-FAN	050-0316-01	050-0316-01	050-0316-01	050-0316-01	050-0316-01	050-0316-01	050-0316-01	050-0316-01	050-0316-01	050-0316-01
003-1487-00	PLATE-DIVIDER	903-1487-00	903-1487-00	903-1487-00	903-1487-00	903-1487-00	903-1487-00	903-1487-00	903-1487-00	903-1487-00	903-1487-00
003-1576-00	PLATE-DIVIDER										
005-7214-00	KIT-LEFT FRONT PANEL										
005-7215-00	LEFT FRONT PANEL KIT	905-7215-00	905-7215-00	905-7215-00	905-7215-00	905-7215-00	905-7215-00	905-7215-00	905-7215-00	905-7215-00	905-7215-00
529-0060-04	POWER CABLE-MOLDED PLUG	529-0060-04	529-0060-04	529-0060-04	529-0060-04	529-0060-04	529-0060-04	529-0060-04	529-0060-04	529-0060-04	529-0060-04
529-0060-25	POWER CABLE-MOLDED PLUG										
077-0052-01	RECEIVER										
577-0542-04	RECEIVER ASSEMBLY										
577-0542-03	RECEIVER ASSEMBLY	577-0542-03	577-0542-03	577-0542-03	577-0542-03	577-0542-03	577-0542-03	577-0542-03	577-0542-03	577-0542-03	577-0542-03

X-Line Service - Medium Temp

Production Part	Description	XFAM-008Z-CFV-081	XFAM-008Z-TFC-081	XFAM-010Z-CFV-081	XFAM-010Z-TFC-081	XFAM-012Z-CFV-081	XFAM-012Z-TFC-081	XFAM-015Z-CFV-081	XFAM-015Z-TFC-081	XFAM-017Z-CFV-081	XFAM-017Z-TFC-081
040-0181-00	DEFROST RELAY KIT	940-0181-00	940-0181-00	940-0181-00	940-0181-00	940-0181-00	940-0181-00	940-0181-00	940-0181-00	940-0181-00	940-0181-00
040-0166-37	RELAY-POTENTIAL KIT	940-0001-79		940-0001-79		940-0001-79		940-0001-79		940-0001-79	
080-0139-08	TERMINAL BLOCK KIT	980-0139-08	980-0139-08	980-0139-08	980-0139-08	980-0139-08	980-0139-08	980-0139-08	980-0139-08	980-0139-08	980-0139-08
080-0139-09	TERMINAL BLOCK KIT	980-0139-09	980-0139-09	980-0139-09	980-0139-09	980-0139-09	980-0139-09	980-0139-09	980-0139-09	980-0139-09	980-0139-09
080-0139-13	TERMINAL BLOCK KIT										
580-0086-00	TERMINAL BLOCK ASSM KIT	980-0086-00		980-0086-00		980-0086-00		980-0086-00		980-0086-00	
580-0086-01	TERMINAL BLOCK ASSEMBLY		980-0086-01		980-0086-01		980-0086-01		980-0086-01		980-0086-01
039-0026-06	EUC SUCTION PRESSURE TRANSDUCER	929-0114-00	929-0114-00	929-0114-00	929-0114-00	929-0114-00	929-0114-00	929-0114-00	929-0114-00	929-0114-00	929-0114-00
037-0038-03	TRANSFORMER CONTROL	037-0038-03	037-0038-03	037-0038-03	037-0038-03	037-0038-03	037-0038-03	037-0038-03	037-0038-03	037-0038-03	037-0038-03
537-0002-00	TRANSFORMER-ASSM										
510-7062-00	ACCESS VALVE KIT	910-7062-00	910-7062-00	910-7062-00	910-7062-00	910-7062-00	910-7062-00	910-7062-00	910-7062-00	910-7062-00	910-7062-00
010-7003-01	CHECK VALVE KIT	910-7003-01	910-7003-01	910-7003-01	910-7003-01	910-7003-01	910-7003-01	910-7003-01	910-7003-01	910-7003-01	910-7003-01
010-0104-00	EXV INJECTION VALVE KIT	910-0104-00	910-0104-00	910-0104-00	910-0104-00	910-0104-00	910-0104-00	910-0104-00	910-0104-00	910-0104-00	910-0104-00
510-0730-01	PRESSURE VALVE KIT	910-0730-00	910-0730-00	910-0730-00	910-0730-00	910-0730-00	910-0730-00	910-0730-00	910-0730-00	910-0730-00	910-0730-00
003-1220-00	X-LINE VALVE PLATE KIT	903-1220-00	903-1220-00	903-1220-00	903-1220-00	903-1220-00	903-1220-00	903-1220-00	903-1220-00	903-1220-00	903-1220-00
010-0142-02	LIQUID LINE RECEIVER KIT-MT	910-0142-02	910-0142-02	910-0142-02	910-0142-02	910-0142-02	910-0142-02	910-0142-02	910-0142-02	910-0142-02	910-0142-02
010-0179-00	LIQUID BASE VALVE KIT	910-7009-01	910-7009-01	910-7009-01	910-7009-01	910-7009-01	910-7009-01	910-7009-01	910-7009-01	910-7009-01	910-7009-01
010-0180-00	SERVICE VALVE KIT	910-0180-00	910-0180-00	910-0180-00	910-0180-00	910-0180-00	910-0180-00	910-0180-00	910-0180-00	910-0180-00	910-0180-00
ZB06KAE-PFV-118	WELD COMP	ZB06KAE-PFV-818									
ZB06KAE-TF5-118	WELD COMP		ZB06KAE-TF5-818								
ZB07KAE-PFV-118	WELD COMP			ZB07KAE-PFV-818							
ZB07KAE-TF5-118	WELD COMP				ZB07KAE-TF5-818						
ZB08KAE-PFV-118	WELD COMP					ZB08KAE-PFV-818					
ZB08KAE-TF5-118	WELD COMP						ZB08KAE-TF5-818				
ZS09KAE-PFV-118	WELD COMP							ZS09KAE-PFV-818			
ZS09KAE-TF5-118	WELD COMP								ZS09KAE-TF5-818		
ZS11KAE-PFV-118	WELD COMP									ZS11KAE-PFV-818	
ZS11KAE-TF5-118	WELD COMP										ZS11KAE-TF5-818
Accessories											
	Master Service Kit	980-0080-00	980-0080-00	980-0080-00	980-0080-00	980-0080-00	980-0080-00	980-0080-00	980-0080-00	980-0080-00	980-0080-00
	Wall Bracket	074-7286-00	074-7286-00	074-7286-00	074-7286-00	074-7286-00	074-7286-00	074-7286-00	074-7286-00	074-7286-00	074-7286-00
	Adjustable Stand	074-7289-00	074-7289-00	074-7289-00	074-7289-00	074-7289-00	074-7289-00	074-7289-00	074-7289-00	074-7289-00	074-7289-00
	CoreSense Communications Kit (PC Interface Kit)	943-0224-00	943-0224-00	943-0224-00	943-0224-00	943-0224-00	943-0224-00	943-0224-00	943-0224-00	943-0224-00	943-0224-00
	Remote Display - Controller	943-0058-00	943-0058-00	943-0058-00	943-0058-00	943-0058-00	943-0058-00	943-0058-00	943-0058-00	943-0058-00	943-0058-00
	D13 Cable Kit	929-0220-16	929-0220-16	929-0220-16	929-0220-16	929-0220-16	929-0220-16	929-0220-16	929-0220-16	929-0220-16	929-0220-16
	Wind Baffle Kit*	998-0877-00	998-0877-00	998-0877-00	998-0877-00	998-0877-00	998-0877-00	998-0877-00	998-0877-00	998-0877-00	998-0877-00
	External Receiver Tank	977-0033-00	977-0033-00	977-0033-00	977-0033-00	977-0033-00	977-0033-00	977-0033-00	977-0033-00	977-0033-00	977-0033-00

*Requires Quantity 2 for Dual Fan Units

X-Line Service - Medium Temp

Production Part	Description	XFAM-020Z-CFV-081	XFAM-020Z-TFC-081	XFAM-022Z-CFV-081	XFAM-022Z-TFC-081	XFAM-025Z-CFV-081	XFAM-025Z-TFC-081	XFAM-030Z-CFV-081	XFAM-030Z-TFC-081	XFAM-033Z-CFV-081	XFAM-033Z-TFC-081
022-0644-00	BASE-PLATE	922-0644-00	922-0644-00	922-0644-00	922-0644-00	922-0644-00	922-0644-00	922-0644-00	922-0644-00	922-0644-00	922-0644-00
083-6931-00	BLADE KIT	983-6931-00	983-6931-00	983-6931-00	983-6931-00	983-6931-00	983-6931-00	983-6931-00	983-6931-00	983-6931-00	983-6931-00
062-7053-00	BOX-ELECTRICAL	062-7053-00	062-7053-00	062-7053-00	062-7053-00	062-7053-00	062-7053-00	062-7053-00	062-7053-00	062-7053-00	062-7053-00
074-1205-00	BRACKET-STABILIZER TOP	074-1205-00	074-1205-00	074-1205-00	074-1205-00	074-1205-00	074-1205-00	074-1205-00	074-1205-00	074-1205-00	074-1205-00
074-1207-01	BRACKET-EXV	074-1207-01	074-1207-01	074-1207-01	074-1207-01	074-1207-01	074-1207-01	074-1207-01	074-1207-01	074-1207-01	074-1207-01
074-1424-00	BRACKET-FAN MOTOR	074-1424-00	074-1424-00	074-1424-00	074-1424-00	074-1424-00	074-1424-00	074-1424-00	074-1424-00	074-1424-00	074-1424-00
074-1425-00	BRACKET-FAN MOTOR										
074-7284-00	BRACKET-COVER RIGHT	074-7284-00	074-7284-00	074-7284-00	074-7284-00	074-7284-00	074-7284-00	074-7284-00	074-7284-00	074-7284-00	074-7284-00
071-7018-00	CIRCUIT BREAKER KIT	971-7018-00	971-7018-00	971-7018-00	971-7018-00	971-7018-00	971-7018-00	971-7018-00	971-7018-00	971-7018-00	971-7018-00
929-0304-00	SENSOR & CLIP MASTER KIT	929-0304-00	929-0304-00	929-0304-00	929-0304-00	929-0304-00	929-0304-00	929-0304-00	929-0304-00	929-0304-00	929-0304-00
529-0222-01	CABLE-WIRE HARNESS	529-0222-01	529-0222-01	529-0222-01	529-0222-01	529-0222-01	529-0222-01	529-0222-01	529-0222-01	529-0222-01	529-0222-01
529-0222-02	CABLE-WIRE HARNESS										
029-0297-27	WIRE-ASSEMBLIES										
014-0083-00	FAN CAPACITOR KIT	914-0083-00	914-0083-00	914-0083-00	914-0083-00	914-0083-00	914-0083-00	914-0083-00	914-0083-00	914-0083-00	914-0083-00
014-0064-06	RUN CAP KIT W/CLAMP										
014-0064-07	RUN CAP KIT W/CLAMP	914-0037-11									
014-0064-08	RUN CAP KIT W/CLAMP			914-0037-12							
014-0064-18	RUN CAP KIT										
014-0064-25	RUN CAP KIT					914-0037-36					
014-0064-27	RUN CAP KIT										
014-0064-28	RUN CAP KIT							914-0037-39		914-0037-39	
014-0006-15	CAP START KIT										
014-0061-27	CAP START KIT	914-0036-03		914-0036-03		914-0036-03		914-0036-03		914-0036-03	
032-0359-07	CLAMP-CAPACITOR	032-0359-07	032-0359-07	032-0359-07		032-0359-07	032-0359-07			032-0359-07	032-0359-07
032-0359-08	CLAMP-CAPACITOR	032-0359-08	032-0359-08	032-0359-08		032-0359-08	032-0359-08	032-0359-08		032-0359-08	032-0359-08
032-0743-01	CLAMP-CAPACITOR	032-0743-01	032-0743-01	032-0743-01	032-0743-01	032-0743-01	032-0743-01	032-0743-01	032-0743-01	032-0743-01	032-0743-01
032-7003-06	CLAMP-TUBE	032-7003-06	032-7003-06	032-7003-06	032-7003-06	032-7003-06	032-7003-06	032-7003-06	032-7003-06	032-7003-06	032-7003-06
032-0688-02	CLIP-PIPE	032-0688-02	032-0688-02	032-0688-02	032-0688-02	032-0688-02	032-0688-02	032-0688-02	032-0688-02	032-0688-02	032-0688-02
032-0731-00	CLIP-SENSOR	032-0731-00	032-0731-00	032-0731-00	032-0731-00	032-0731-00	032-0731-00	032-0731-00	032-0731-00	032-0731-00	032-0731-00
023-0068-00	EXV INJECTION COIL KIT										
023-0068-04	EXV INJECTION COIL KIT	923-0068-00	923-0068-00	923-0068-00	923-0068-00	923-0068-00	923-0068-00	923-0068-00	923-0068-00	923-0068-00	923-0068-00
012-1401-04	CONTACTOR KIT	912-1401-04		912-1401-04		912-1401-04		912-1401-04		912-1401-04	
012-1401-06	CONTACTOR KIT		912-3040-02		912-3040-02		912-3040-02		912-3040-02		912-3040-02
543-0214-00	XCM25D ELECT UNIT CONTROLLER	943-0214-00	943-0214-00	943-0214-00	943-0214-00	943-0214-00	943-0214-00	943-0214-00	943-0214-00	943-0214-00	943-0214-00
085-7031-06	PRESSURE CONTROL KIT	985-7031-06	985-7031-06	985-7031-06	985-7031-06	985-7031-06	985-7031-06	985-7031-06	985-7031-06	985-7031-06	985-7031-06
005-7230-00	ELECT BOX COVER KIT	905-7230-00	905-7230-00	905-7230-00	905-7230-00	905-7230-00	905-7230-00	905-7230-00	905-7230-00	905-7230-00	905-7230-00
005-7193-00	HANDLE COVER KIT	905-7193-00	905-7193-00	905-7193-00	905-7193-00	905-7193-00	905-7193-00	905-7193-00	905-7193-00	905-7193-00	905-7193-00
005-1331-00	RIGHT PANEL KIT	905-1331-00	905-1331-00	905-1331-00	905-1331-00	905-1331-00	905-1331-00	905-1331-00	905-1331-00	905-1331-00	905-1331-00
005-1876-00	KIT-RIGHT PANEL										
005-1280-00	WIDE GRIP HAND KIT	905-1280-00	905-1280-00	905-1280-00	905-1280-00	905-1280-00	905-1280-00	905-1280-00	905-1280-00	905-1280-00	905-1280-00
005-1273-00	TOP PANEL KIT	905-1273-00	905-1273-00	905-1273-00	905-1273-00	905-1273-00	905-1273-00	905-1273-00	905-1273-00	905-1273-00	905-1273-00
052-7287-22	DIAGRAM-WIRING										
505-7098-00	DOOR ASSEMBLY										
505-7099-00	DOOR ASSEMBLY	505-7099-00	505-7099-00	505-7099-00	505-7099-00	505-7099-00	505-7099-00	505-7099-00	505-7099-00	505-7099-00	505-7099-00
013-7000-31	FILTER DRIER KIT	913-7000-31	913-7000-31	913-7000-31	913-7000-31	913-7000-31	913-7000-31	913-7000-31	913-7000-31	913-7000-31	913-7000-31
024-0262-00	COIL GUARD KIT										
024-0263-00	COIL GUARD KIT	924-0263-00	924-0263-00	924-0263-00	924-0263-00	924-0263-00	924-0263-00	924-0263-00	924-0263-00	924-0263-00	924-0263-00
024-0264-00	FAN GUARD KIT	924-0264-00	924-0264-00	924-0264-00	924-0264-00	924-0264-00	924-0264-00	924-0264-00	924-0264-00	924-0264-00	924-0264-00
005-7193-01	HANDLE COVER KIT	905-7193-01	905-7193-01	905-7193-01	905-7193-01	905-7193-01	905-7193-01	905-7193-01	905-7193-01	905-7193-01	905-7193-01
018-0094-05	CRANKCASE HEATER KIT	918-0052-05	918-0052-05	918-0052-05	918-0052-05	918-0052-05	918-0052-05				
018-0095-04	HEATER-CRANKCASE							918-0043-00	918-0043-00	918-0043-00	918-0043-00
018-7013-00	RECEIVER HEAT KIT	918-0100-00	918-0100-00	918-0100-00	918-0100-00	918-0100-00	918-0100-00	918-0100-00	918-0100-00	918-0100-00	918-0100-00
032-0592-00	HOLDER-SENSOR	032-0592-00	032-0592-00	032-0592-00	032-0592-00	032-0592-00	032-0592-00	032-0592-00	032-0592-00	032-0592-00	032-0592-00
943-0039-00	HOTKEY PROGRAM GROUP	943-0039-00	943-0039-00	943-0039-00	943-0039-00	943-0039-00	943-0039-00	943-0039-00	943-0039-00	943-0039-00	943-0039-00
570-7003-06	MOISTURE INDICATOR KIT	970-7003-06	970-7003-06	970-7003-06	970-7003-06	970-7003-06	970-7003-06	970-7003-06	970-7003-06	970-7003-06	970-7003-06
050-0316-01	MOTOR-FAN	050-0316-01	050-0316-01	050-0316-01	050-0316-01	050-0316-01	050-0316-01	050-0316-01	050-0316-01	050-0316-01	050-0316-01
003-1487-00	PLATE-DIVIDER	903-1487-00	903-1487-00	903-1487-00	903-1487-00	903-1487-00	903-1487-00	903-1487-00	903-1487-00	903-1487-00	903-1487-00
003-1576-00	PLATE-DIVIDER										
005-7214-00	KIT-LEFT FRONT PANEL										
005-7215-00	LEFT FRONT PANEL KIT	905-7215-00	905-7215-00	905-7215-00	905-7215-00	905-7215-00	905-7215-00	905-7215-00	905-7215-00	905-7215-00	905-7215-00
529-0060-04	POWER CABLE-MOLDED PLUG	529-0060-04	529-0060-04	529-0060-04	529-0060-04	529-0060-04	529-0060-04	529-0060-04	529-0060-04	529-0060-04	529-0060-04
529-0060-25	POWER CABLE-MOLDED PLUG										
077-0052-01	RECEIVER										
577-0542-04	RECEIVER ASSEMBLY										
577-0542-03	RECEIVER ASSEMBLY	577-0542-03	577-0542-03	577-0542-03	577-0542-03	577-0542-03	577-0542-03	577-0542-03	577-0542-03	577-0542-03	577-0542-03

X-Line Service - Medium Temp

Production Part	Description	XFAM-020Z-CFV-081	XFAM-020Z-TFC-081	XFAM-022Z-CFV-081	XFAM-022Z-TFC-081	XFAM-025Z-CFV-081	XFAM-025Z-TFC-081	XFAM-030Z-CFV-081	XFAM-030Z-TFC-081	XFAM-033Z-CFV-081	XFAM-033Z-TFC-081
040-0181-00	DEFROST RELAY KIT	940-0181-00	940-0181-00	940-0181-00	940-0181-00	940-0181-00	940-0181-00	940-0181-00	940-0181-00	940-0181-00	940-0181-00
040-0166-37	RELAY-POTENTIAL KIT	940-0001-79		940-0001-79		940-0001-79		940-0001-79		940-0001-79	
080-0139-08	TERMINAL BLOCK KIT	980-0139-08	980-0139-08	980-0139-08	980-0139-08	980-0139-08	980-0139-08	980-0139-08	980-0139-08	980-0139-08	980-0139-08
080-0139-09	TERMINAL BLOCK KIT	980-0139-09	980-0139-09	980-0139-09	980-0139-09	980-0139-09	980-0139-09	980-0139-09	980-0139-09	980-0139-09	980-0139-09
080-0139-13	TERMINAL BLOCK KIT										
580-0086-00	TERMINAL BLOCK ASSM KIT	980-0086-00		980-0086-00		980-0086-00		980-0086-00		980-0086-00	
580-0086-01	TERMINAL BLOCK ASSEMBLY	980-0086-01	980-0086-01	980-0086-01	980-0086-01	980-0086-01	980-0086-01	980-0086-01	980-0086-01	980-0086-01	980-0086-01
039-0026-06	EUC SUCTION PRESSURE TRANSDUCER	929-0114-00	929-0114-00	929-0114-00	929-0114-00	929-0114-00	929-0114-00	929-0114-00	929-0114-00	929-0114-00	929-0114-00
037-0038-03	TRANSFORMER CONTROL	037-0038-03	037-0038-03	037-0038-03	037-0038-03	037-0038-03	037-0038-03	037-0038-03	037-0038-03	037-0038-03	037-0038-03
537-0002-00	TRANSFORMER-ASSM										
510-7062-00	ACCESS VALVE KIT	910-7062-00	910-7062-00	910-7062-00	910-7062-00	910-7062-00	910-7062-00	910-7062-00	910-7062-00	910-7062-00	910-7062-00
010-7003-01	CHECK VALVE KIT	910-7003-01	910-7003-01	910-7003-01	910-7003-01	910-7003-01	910-7003-01	910-7003-01	910-7003-01	910-7003-01	910-7003-01
010-0104-00	EXV INJECTION VALVE KIT	910-0104-00	910-0104-00	910-0104-00	910-0104-00	910-0104-00	910-0104-00	910-0104-00	910-0104-00	910-0104-00	910-0104-00
510-0730-01	PRESSURE VALVE KIT	910-0730-00	910-0730-00	910-0730-00	910-0730-00	910-0730-00	910-0730-00	910-0730-00	910-0730-00	910-0730-00	910-0730-00
003-1220-00	X-LINE VALVE PLATE KIT	903-1220-00	903-1220-00	903-1220-00	903-1220-00	903-1220-00	903-1220-00	903-1220-00	903-1220-00	903-1220-00	903-1220-00
010-0142-02	LIQUID LINE RECEIVER KIT-MT	910-0142-02	910-0142-02	910-0142-02	910-0142-02	910-0142-02	910-0142-02	910-0142-02	910-0142-02	910-0142-02	910-0142-02
010-0179-00	LIQUID BASE VALVE KIT	910-7009-01	910-7009-01	910-7009-01	910-7009-01	910-7009-01	910-7009-01	910-7009-01	910-7009-01	910-7009-01	910-7009-01
010-0180-00	SERVICE VALVE KIT	910-0180-00	910-0180-00	910-0180-00	910-0180-00	910-0180-00	910-0180-00	910-0180-00	910-0180-00	910-0180-00	910-0180-00
ZS13KAE-PFV-118	WELD COMP	ZS13KAE-PFV-818									
ZS13KAE-TF5-118	WELD COMP		ZS13KAE-TF5-818			ZS13KAE-TF5-818					
ZS15KAE-PFV-118	WELD COMP			ZS15KAE-PFV-818							
ZS15KAE-TF5-118	WELD COMP				ZS15KAE-TF5-818						
ZS19KAE-TF5-118	WELD COMP						ZS19KAE-TF5-818				
ZS21KAE-PFV-118	WELD COMP							ZS21KAE-PFV-818			
ZS21KAE-TF5-118	WELD COMP								ZS21KAE-TF5-818		
ZS26KAE-PFV-118	WELD COMP									ZS26KAE-PFV-818	
ZS26KAE-TF5-118	WELD COMP										ZS26KAE-TF5-818
ZS11KAE-TF5-118	WELD COMP										
Accessories											
	Master Service Kit	980-0080-00	980-0080-00	980-0080-00	980-0080-00	980-0080-00	980-0080-00	980-0080-00	980-0080-00	980-0080-00	980-0080-00
	Wall Bracket	074-7286-00	074-7286-00	074-7286-00	074-7286-00	074-7286-00	074-7286-00	074-7286-00	074-7286-00	074-7286-00	074-7286-00
	Adjustable Stand	074-7289-00	074-7289-00	074-7289-00	074-7289-00	074-7289-00	074-7289-00	074-7289-00	074-7289-00	074-7289-00	074-7289-00
	"CoreSense Communications Kit (PC Interface Kit)"	943-0224-00	943-0224-00	943-0224-00	943-0224-00	943-0224-00	943-0224-00	943-0224-00	943-0224-00	943-0224-00	943-0224-00
	Remote Display - Controller	943-0058-00	943-0058-00	943-0058-00	943-0058-00	943-0058-00	943-0058-00	943-0058-00	943-0058-00	943-0058-00	943-0058-00
	DI3 Cable Kit	929-0220-16	929-0220-16	929-0220-16	929-0220-16	929-0220-16	929-0220-16	929-0220-16	929-0220-16	929-0220-16	929-0220-16
	Wind Baffle Kit*	998-0877-00	998-0877-00	998-0877-00	998-0877-00	998-0877-00	998-0877-00	998-0877-00	998-0877-00	998-0877-00	998-0877-00
	External Receiver Tank	977-0033-00	977-0033-00	977-0033-00	977-0033-00	977-0033-00	977-0033-00	977-0033-00	977-0033-00	977-0033-00	977-0033-00

*Requires Quantity 2 for Dual Fan Units

X-Line Service - Medium Temp

Production Part	Description	XFAM-037Z-CFV-081	XFAM-037Z-TFC-081	XFAM-045Z-CFV-081	XFAM-045Z-TFC-081	XFAM-045Z-TFD-080	XFAM-050Z-CFV-081	XFAM-050Z-TFC-081	XFAM-050Z-TFD-080	XFAM-060Z-TFC-081	XFAM-060Z-TFD-080
022-0644-00	BASE-PLATE	922-0644-00	922-0644-00	922-0644-00	922-0644-00	022-0644-00	922-0644-00	922-0644-00	022-0644-00	922-0644-00	022-0644-00
083-6931-00	BLADE KIT	983-6931-00	983-6931-00	983-6931-00	983-6931-00	983-6931-00	983-6931-00	983-6931-00	983-6931-00	983-6931-00	983-6931-00
062-7053-00	BOX-ELECTRICAL	062-7053-00	062-7053-00	062-7053-00	062-7053-00	062-7053-00	062-7053-00	062-7053-00	062-7053-00	062-7053-00	062-7053-00
074-1205-00	BRACKET-STABILIZER TOP	074-1205-00	074-1205-00	074-1205-00	074-1205-00	074-1205-00	074-1205-00	074-1205-00	074-1205-00	074-1205-00	074-1205-00
074-1207-01	BRACKET-EXV	074-1207-01	074-1207-01	074-1207-01	074-1207-01	074-1207-01	074-1207-01	074-1207-01	074-1207-01	074-1207-01	074-1207-01
074-1424-00	BRACKET-FAN MOTOR	074-1424-00	074-1424-00								
074-1425-00	BRACKET-FAN MOTOR			074-1425-00	074-1425-00	074-1425-00	074-1425-00	074-1425-00	074-1425-00	074-1425-00	074-1425-00
074-7284-00	BRACKET-COVER RIGHT	074-7284-00	074-7284-00	074-7284-00	074-7284-00	074-7284-00	074-7284-00	074-7284-00	074-7284-00	074-7284-00	074-7284-00
071-7018-00	CIRCUIT BREAKER KIT	971-7018-00	971-7018-00	971-7018-00	971-7018-00	971-7018-00	971-7018-00	971-7018-00	971-7018-00	971-7018-00	971-7018-00
929-0304-00	SENSOR & CLIP MASTER KIT	929-0304-00	929-0304-00	929-0304-00	929-0304-00	929-0304-00	929-0304-00	929-0304-00	929-0304-00	929-0304-00	929-0304-00
529-0222-01	CABLE-WIRE HARNESS	529-0222-01	529-0222-01								
529-0222-02	CABLE-WIRE HARNESS			529-0222-02	529-0222-02	529-0222-02	529-0222-02	529-0222-02	529-0222-02	529-0222-02	529-0222-02
029-0297-27	WIRE-ASSEMBLIES					029-0297-27		029-0297-27		029-0297-27	
014-0083-00	FAN CAPACITOR KIT	914-0083-00	914-0083-00	914-0083-00	914-0083-00	914-0083-00	914-0083-00	914-0083-00	914-0083-00	914-0083-00	914-0083-00
014-0064-06	RUN CAP KIT W/CLAMP										
014-0064-07	RUN CAP KIT W/CLAMP										
014-0064-08	RUN CAP KIT W/CLAMP										
014-0064-18	RUN CAP KIT	914-0037-22									
014-0064-25	RUN CAP KIT										
014-0064-27	RUN CAP KIT			914-0037-38			914-0037-38				
014-0064-28	RUN CAP KIT										
014-0006-15	CAP START KIT						914-0006-10				
014-0061-27	CAP START KIT	914-0036-03		914-0036-03							
032-0359-07	CLAMP-CAPACITOR	032-0359-07	032-0359-07								
032-0359-08	CLAMP-CAPACITOR	032-0359-08	032-0359-08								
032-0743-01	CLAMP-CAPACITOR	032-0743-01	032-0743-01	032-0743-01	032-0743-01	032-0743-01	032-0743-01	032-0743-01	032-0743-01	032-0743-01	032-0743-01
032-7003-06	CLAMP-TUBE	032-7003-06	032-7003-06	032-7003-06	032-7003-06	032-7003-06	032-7003-06	032-7003-06	032-7003-06	032-7003-06	032-7003-06
032-0688-02	CLIP-PIPE	032-0688-02	032-0688-02	032-0688-02	032-0688-02	032-0688-02	032-0688-02	032-0688-02	032-0688-02	032-0688-02	032-0688-02
032-0731-00	CLIP-SENSOR	032-0731-00	032-0731-00	032-0731-00	032-0731-00	032-0731-00	032-0731-00	032-0731-00	032-0731-00	032-0731-00	032-0731-00
023-0068-00	EXV INJECTION COIL KIT			923-0068-03	923-0068-03	923-0068-03	923-0068-03	923-0068-03	923-0068-03	923-0068-03	923-0068-03
023-0068-04	EXV INJECTION COIL KIT	923-0068-00	923-0068-00								
012-1401-04	CONTACTOR KIT	912-1401-04		912-1401-04			912-1401-04				
012-1401-06	CONTACTOR KIT		912-3040-02		912-3040-02	912-3040-02		912-3040-02	912-3040-02	912-3040-02	912-3040-02
543-0214-00	XCM25D ELECT UNIT CONTROLLER	943-0214-00	943-0214-00	943-0214-00	943-0214-00	943-0214-00	943-0214-00	943-0214-00	943-0214-00	943-0214-00	943-0214-00
085-7031-06	PRESSURE CONTROL KIT	985-7031-06	985-7031-06	985-7031-06	985-7031-06	985-7031-06	985-7031-06	985-7031-06	985-7031-06	985-7031-06	985-7031-06
005-7230-00	ELECT BOX COVER KIT	905-7230-00	905-7230-00	905-7230-00	905-7230-00	905-7230-00	905-7230-00	905-7230-00	905-7230-00	905-7230-00	905-7230-00
005-7193-00	HANDLE COVER KIT	905-7193-00	905-7193-00	905-7193-00	905-7193-00	905-7193-00	905-7193-00	905-7193-00	905-7193-00	905-7193-00	905-7193-00
005-1331-00	RIGHT PANEL KIT	905-1331-00	905-1331-00								
005-1876-00	KIT-RIGHT PANEL			905-1332-00	905-1332-00		905-1332-00	905-1332-00		905-1332-00	
005-1280-00	WIDE GRIP HAND KIT	905-1280-00	905-1280-00	905-1280-00	905-1280-00	905-1280-00	905-1280-00	905-1280-00	905-1280-00	905-1280-00	905-1280-00
005-1273-00	TOP PANEL KIT	905-1273-00	905-1273-00	905-1273-00	905-1273-00	905-1273-00	905-1273-00	905-1273-00	905-1273-00	905-1273-00	905-1273-00
052-7287-22	DIAGRAM-WIRING					052-7287-22		052-7287-22		052-7287-22	
505-7098-00	DOOR ASSEMBLY			505-7098-00	505-7098-00	505-7098-00	505-7098-00	505-7098-00	505-7098-00	505-7098-00	505-7098-00
505-7099-00	DOOR ASSEMBLY	505-7099-00	505-7099-00								
013-7000-31	FILTER DRIER KIT	913-7000-31	913-7000-31	913-7000-31	913-7000-31	913-7000-31	913-7000-31	913-7000-31	913-7000-31	913-7000-31	913-7000-31
024-0262-00	COIL GUARD KIT			924-0262-00	924-0262-00	924-0262-00	924-0262-00	924-0262-00	924-0262-00	924-0262-00	924-0262-00
024-0263-00	COIL GUARD KIT	924-0263-00	924-0263-00								
024-0264-00	FAN GUARD KIT	924-0264-00	924-0264-00	924-0264-00	924-0264-00	924-0264-00	924-0264-00	924-0264-00	924-0264-00	924-0264-00	924-0264-00
005-7193-01	HANDLE COVER KIT	905-7193-01	905-7193-01	905-7193-01	905-7193-01	905-7193-01	905-7193-01	905-7193-01	905-7193-01	905-7193-01	905-7193-01
018-0094-05	CRANKCASE HEATER KIT										
018-0095-04	HEATER-CRANKCASE	918-0043-00	918-0043-00	918-0043-00	918-0043-00	918-0043-00	918-0043-00	918-0043-00	918-0043-00	918-0043-00	918-0043-00
018-7013-00	RECEIVER HEAT KIT	918-0100-00	918-0100-00	918-0100-00	918-0100-00	918-0100-00	918-0100-00	918-0100-00	918-0100-00	918-0100-00	918-0100-00
032-0592-00	HOLDER-SENSOR	032-0592-00	032-0592-00	032-0592-00	032-0592-00	032-0592-00	032-0592-00	032-0592-00	032-0592-00		032-0592-00
943-0039-00	HOTKEY PROGRAM GROUP	943-0039-00	943-0039-00	943-0039-00	943-0039-00	943-0039-00	943-0039-00	943-0039-00	943-0039-00	943-0039-00	943-0039-00
570-7003-06	MOISTURE INDICATOR KIT	970-7003-06	970-7003-06	970-7003-06	970-7003-06	970-7003-06	970-7003-06	970-7003-06	970-7003-06	970-7003-06	970-7003-06
050-0316-01	MOTOR-FAN	050-0316-01	050-0316-01	050-0316-01	050-0316-01	050-0316-01	050-0316-01	050-0316-01	050-0316-01	050-0316-01	050-0316-01
003-1487-00	PLATE-DIVIDER	903-1487-00	903-1487-00								
003-1576-00	PLATE-DIVIDER			903-1576-00	903-1576-00	903-1576-00	903-1576-00	903-1576-00	903-1576-00	903-1576-00	903-1576-00
005-7214-00	KIT-LEFT FRONT PANEL			905-7214-00	905-7214-00	905-7214-00	905-7214-00	905-7214-00	905-7214-00	905-7214-00	905-7214-00
005-7215-00	LEFT FRONT PANEL KIT	905-7215-00	905-7215-00								
529-0060-04	POWER CABLE-MOLDED PLUG	529-0060-04	529-0060-04								
529-0060-25	POWER CABLE-MOLDED PLUG			529-0060-25	529-0060-25	529-0060-25					
077-0052-01	RECEIVER					077-0052-01			077-0052-01		077-0052-01
577-0542-04	RECEIVER ASSEMBLY			577-0542-04	577-0542-04	577-0542-04		577-0542-04	577-0542-04	577-0542-04	577-0542-04
577-0542-03	RECEIVER ASSEMBLY	577-0542-03	577-0542-03								

X-Line Service - Medium Temp

Production Part	Description	XFAM-037Z-CFV-081	XFAM-037Z-TFC-081	XFAM-045Z-CFV-081	XFAM-045Z-TFC-081	XFAM-045Z-TFD-080	XFAM-050Z-CFV-081	XFAM-050Z-TFC-081	XFAM-050Z-TFD-080	XFAM-060Z-TFC-081	XFAM-060Z-TFD-080
040-0181-00	DEFROST RELAY KIT	940-0181-00	940-0181-00	940-0181-00	940-0181-00	940-0181-00	940-0181-00	940-0181-00	940-0181-00	940-0181-00	940-0181-00
040-0166-37	RELAY-POTENTIAL KIT	940-0001-79		940-0001-79			940-0001-79				
080-0139-08	TERMINAL BLOCK KIT	980-0139-08	980-0139-08	980-0139-08	980-0139-08	980-0139-08	980-0139-08	980-0139-08	980-0139-08	980-0139-08	980-0139-08
080-0139-09	TERMINAL BLOCK KIT	980-0139-09	980-0139-09	980-0139-09	980-0139-09	980-0139-09	980-0139-09	980-0139-09	980-0139-09	980-0139-09	980-0139-09
080-0139-13	TERMINAL BLOCK KIT					980-0139-13			980-0139-13		980-0139-13
580-0086-00	TERMINAL BLOCK ASSM KIT	980-0086-00		980-0086-00			980-0086-00				
580-0086-01	TERMINAL BLOCK ASSEMBLY	980-0086-01	980-0086-01		980-0086-01	980-0086-01		980-0086-01	980-0086-01	980-0086-01	980-0086-01
039-0026-06	EUC SUCTION PRESSURE TRANSDUCER	929-0114-00	929-0114-00	929-0114-00	929-0114-00	929-0114-00	929-0114-00	929-0114-00	929-0114-00		929-0114-00
037-0038-03	TRANSFORMER CONTROL	037-0038-03	037-0038-03	037-0038-03	037-0038-03	037-0038-03	037-0038-03	037-0038-03	037-0038-03	037-0038-03	037-0038-03
537-0002-00	TRANSFORMER-ASSM					937-0002-00		937-0002-00			937-0002-00
510-7062-00	ACCESS VALVE KIT	910-7062-00	910-7062-00	910-7062-00	910-7062-00	910-7062-00	910-7062-00	910-7062-00	910-7062-00	910-7062-00	910-7062-00
010-7003-01	CHECK VALVE KIT	910-7003-01	910-7003-01	910-7003-01	910-7003-01	910-7003-01	910-7003-01	910-7003-01	910-7003-01	910-7003-01	910-7003-01
010-0104-00	EXV INJECTION VALVE KIT	910-0104-00	910-0104-00	910-0104-00	910-0104-00	910-0104-00	910-0104-00	910-0104-00	910-0104-00	910-0104-00	910-0104-00
510-0730-01	PRESSURE VALVE KIT	910-0730-00	910-0730-00	910-0730-00	910-0730-00	910-0730-00	910-0730-00	910-0730-00	910-0730-00	910-0730-00	910-0730-00
003-1220-00	X-LINE VALVE PLATE KIT	903-1220-00	903-1220-00	903-1220-00	903-1220-00	903-1220-00	903-1220-00	903-1220-00	903-1220-00	903-1220-00	903-1220-00
010-0142-02	LIQUID LINE RECEIVER KIT-MT	910-0142-02	910-0142-02	910-0142-02	910-0142-02	910-0142-02	910-0142-02	910-0142-02	910-0142-02	910-0142-02	910-0142-02
010-0179-00	LIQUID BASE VALVE KIT	910-7009-01	910-7009-01	910-7009-01	910-7009-01	910-7009-01	910-7009-01	910-7009-01	910-7009-01	910-7009-01	910-7009-01
010-0180-00	SERVICE VALVE KIT	910-0180-00	910-0180-00	910-0180-00	910-0180-00	910-0180-00	910-0180-00	910-0180-00	910-0180-00	910-0180-00	910-0180-00
ZS29KAE-PFV-118		ZS29KAE-PFV-818									
ZS29KAE-TF5-118			ZS29KAE-TF5-818								
ZS33KAE-PFV-118				ZS33KAE-PFV-818							
ZS33KAE-TF5-118					ZS33KAE-TF5-818						
ZS33KAE-TFD-118						ZS33KAE-TFD-818					
ZS38K4E-PFV-250							ZS38K4E-PFV-950				
ZS38K4E-TF5-250								ZS38K4E-TF5-950			
ZS38K4E-TFD-250									ZS38K4E-TFD-950		
ZS45K4E-TF5-250										ZS45K4E-TF5-950	
ZS45K4E-TFD-250											ZS45K4E-TFD-950
Accessories											
	Master Service Kit	980-0080-00	980-0080-00	980-0080-00	980-0080-00	980-0080-00	980-0080-00	980-0080-00	980-0080-00	980-0080-00	980-0080-00
	Wall Bracket	074-7286-00	074-7286-00	074-7286-00	074-7286-00	074-7286-00	074-7286-00	074-7286-00	074-7286-00	074-7286-00	074-7286-00
	Adjustable Stand	074-7289-00	074-7289-00	074-7289-00	074-7289-00	074-7289-00	074-7289-00	074-7289-00	074-7289-00	074-7289-00	074-7289-00
	"CoreSense Communications Kit (PC Interface Kit)"	943-0224-00	943-0224-00	943-0224-00	943-0224-00	943-0224-00	943-0224-00	943-0224-00	943-0224-00	943-0224-00	943-0224-00
	Remote Display - Controller	943-0058-00	943-0058-00	943-0058-00	943-0058-00	943-0058-00	943-0058-00	943-0058-00	943-0058-00	943-0058-00	943-0058-00
	DI3 Cable Kit	929-0220-16	929-0220-16	929-0220-16	929-0220-16	929-0220-16	929-0220-16	929-0220-16	929-0220-16	929-0220-16	929-0220-16
	Wind Baffle Kit*	998-0877-00	998-0877-00	998-0877-00	998-0877-00	998-0877-00	998-0877-00	998-0877-00	998-0877-00	998-0877-00	998-0877-00
	External Receiver Tank	977-0033-00	977-0033-00	977-0033-00	977-0033-00	977-0033-00	977-0033-00	977-0033-00	977-0033-00	977-0033-00	977-0033-00

*Requires Quantity 2 for Dual Fan Units

X-Line Service - Extended Medium Temp

Production Part	Description	XFAP-015Z-CFV-081	XFAP-015Z-TFC-081	XFAP-017Z-CFV-081	XFAP-017Z-TFC-081	XFAP-020Z-CFV-081	XFAP-020Z-TFC-081	XFAP-022Z-CFV-081	XFAP-022Z-TFC-081
022-0644-00	BASE PLATE KIT	922-0644-00	922-0644-00	922-0644-00	922-0644-00	922-0644-00	922-0644-00	922-0644-00	922-0644-00
083-6931-00	BLADE KIT	983-6931-00	983-6931-00	983-6931-00	983-6931-00	983-6931-00	983-6931-00	983-6931-00	983-6931-00
062-7053-00	BOX-ELECTRICAL	062-7053-00	062-7053-00	062-7053-00	062-7053-00	062-7053-00	062-7053-00	062-7053-00	062-7053-00
074-1207-01	BRACKET-EXV	074-1207-01	074-1207-01	074-1207-01	074-1207-01	074-1207-01	074-1207-01	074-1207-01	074-1207-01
074-1205-00	BRACKET-STABILIZER TOP	074-1205-00	074-1205-00	074-1205-00	074-1205-00	074-1205-00	074-1205-00	074-1205-00	074-1205-00
074-1424-00	BRACKET-FAN MOTOR	074-1424-00	074-1424-00	074-1424-00	074-1424-00	074-1424-00	074-1424-00	074-1424-00	074-1424-00
074-1425-00	BRACKET-FAN MOTOR								
074-7284-00	BRACKET-COVER RIGHT	074-7284-00	074-7284-00	074-7284-00	074-7284-00	074-7284-00	074-7284-00	074-7284-00	074-7284-00
074-7282-00	BRACKET-MOUNTING	074-7282-00	074-7282-00	074-7282-00	074-7282-00	074-7282-00	074-7282-00	074-7282-00	074-7282-00
071-7018-00	CIRCUIT BREAKER KIT	971-7018-00	971-7018-00	971-7018-00	971-7018-00	971-7018-00	971-7018-00	971-7018-00	971-7018-00
529-0222-01	CABLE-WIRE HARNESS	529-0222-01	529-0222-01	529-0222-01	529-0222-01	529-0222-01	529-0222-01	529-0222-01	529-0222-01
529-0222-02	CABLE-WIRE HARNESS								
014-0083-00	FAN CAPACITOR KIT	914-0083-00	914-0083-00	914-0083-00	914-0083-00	914-0083-00	914-0083-00	914-0083-00	914-0083-00
014-0064-06	RUN CAP KIT W/CLAMP	914-0037-10		914-0037-10					
014-0064-07	RUN CAP KIT W/CLAMP					914-0037-11			
014-0064-08	RUN CAP KIT W/CLAMP						914-0037-12		
014-0064-18	RUN CAP KIT								
014-0064-25	RUN CAP KIT								
014-0064-27	RUN CAP KIT								
014-0064-28	RUN CAP KIT								
014-0006-15	CAP START KIT								
014-0061-27	CAP START KIT	914-0036-03		914-0036-03		914-0036-03		914-0036-03	
032-0359-07	CLAMP-CAPACITOR	032-0359-07		032-0359-07		032-0359-07		032-0359-07	
032-0359-08	CLAMP-CAPACITOR	032-0359-08		032-0359-08		032-0359-08		032-0359-08	
032-0359-09	CLAMP-CAPACITOR								
032-0359-11	CLAMP-CAPACITOR								
032-0743-01	CLAMP-CAPACITOR	032-0743-01	032-0743-01	032-0743-01	032-0743-01	032-0743-01	032-0743-01	032-0743-01	032-0743-01
032-7003-06	CLAMP-TUBE	032-7003-06	032-7003-06	032-7003-06	032-7003-06	032-7003-06	032-7003-06	032-7003-06	032-7003-06
032-0688-02	CLIP-PIPE	032-0688-02	032-0688-02	032-0688-02	032-0688-02	032-0688-02	032-0688-02	032-0688-02	032-0688-02
032-0731-00	CLIP-SENSOR	032-0731-00	032-0731-00	032-0731-00	032-0731-00	032-0731-00	032-0731-00	032-0731-00	032-0731-00
023-0068-00	EXV INJECTION COIL KIT								
023-0068-04	EXV INJECTION COIL KIT	923-0068-00	923-0068-00	923-0068-00	923-0068-00	923-0068-00	923-0068-00	923-0068-00	923-0068-00
012-1401-04	CONTACTOR KIT	912-1401-04		912-1401-04		912-1401-04		912-1401-04	
012-1401-06	CONTACTOR KIT		912-3040-02		912-3040-02		912-3040-02		912-3040-02
543-0214-00	XCM25D ELECT UNIT CONTROLLER	943-0214-00	943-0214-00	943-0214-00	943-0214-00	943-0214-00	943-0214-00	943-0214-00	943-0214-00
085-7031-06	PRESSURE CONTROL KIT	985-7031-06	985-7031-06	985-7031-06	985-7031-06	985-7031-06	985-7031-06	985-7031-06	985-7031-06
005-7230-00	COVER-ELECTRICAL BOX	905-7230-00	905-7230-00	905-7230-00	905-7230-00	905-7230-00	905-7230-00	905-7230-00	905-7230-00
005-7193-00	HANDLE COVER KIT	905-7193-00	905-7193-00	905-7193-00	905-7193-00	905-7193-00	905-7193-00	905-7193-00	905-7193-00
005-1331-00	RIGHT PANEL KIT	905-1331-00	905-1331-00	905-1331-00	905-1331-00	905-1331-00	905-1331-00	905-1331-00	905-1331-00
005-1876-00	KIT-RIGHT PANEL								
005-1280-00	COVER-SENSOR	905-1280-00	905-1280-00	905-1280-00	905-1280-00	905-1280-00	905-1280-00	905-1280-00	905-1280-00
005-1273-00	TOP PANEL KIT	905-1273-00	905-1273-00	905-1273-00	905-1273-00	905-1273-00	905-1273-00	905-1273-00	905-1273-00
505-7098-00	DOOR ASSEMBLY								
505-7099-00	DOOR ASSEMBLY	505-7099-00	505-7099-00	505-7099-00	505-7099-00	505-7099-00	505-7099-00	505-7099-00	505-7099-00
013-7000-31	FILTER DRIER KIT	913-7000-31	913-7000-31	913-7000-31	913-7000-31	913-7000-31	913-7000-31	913-7000-31	913-7000-31
024-0262-00	KIT-COIL GUARD								
024-0263-00	COIL GUARD KIT	924-0263-00	924-0263-00	924-0263-00	924-0263-00	924-0263-00	924-0263-00	924-0263-00	924-0263-00
024-0264-00	FAN GUARD KIT	924-0264-00	924-0264-00	924-0264-00	924-0264-00	924-0264-00	924-0264-00	924-0264-00	924-0264-00
005-7193-01	HANDLE COVER KIT	905-7193-01	905-7193-01	905-7193-01	905-7193-01	905-7193-01	905-7193-01	905-7193-01	905-7193-01
905-1280-00	WIDE GRIP HAND KIT	905-1280-00	905-1280-00	905-1280-00	905-1280-00	905-1280-00	905-1280-00	905-1280-00	905-1280-00
018-0094-05	CRANKCASE HEATER KIT	918-0052-05	918-0052-05	918-0052-05	918-0052-05			918-0052-05	918-0052-05
018-0095-04	HEATER-CRANKCASE					918-0043-00	918-0043-00		
018-7013-00	RECEIVER HEAT KIT	918-0100-00	918-0100-00	918-0100-00	918-0100-00	918-0100-00	918-0100-00	918-0100-00	918-0100-00
032-0592-00	HOLDER-SENSOR	032-0592-00	032-0592-00	032-0592-00	032-0592-00	032-0592-00	032-0592-00	032-0592-00	032-0592-00
943-0039-00	HOTKEY PROGRAM GROUP	943-0039-00	943-0039-00	943-0039-00	943-0039-00	943-0039-00	943-0039-00	943-0039-00	943-0039-00
570-7003-06	MOISTURE INDICATOR KIT	970-7003-06	970-7003-06	970-7003-06	970-7003-06	970-7003-06	970-7003-06	970-7003-06	970-7003-06
050-0316-01	MOTOR-FAN	050-0316-01	050-0316-01	050-0316-01	050-0316-01	050-0316-01	050-0316-01	050-0316-01	050-0316-01
005-7214-00	KIT-LEFT FRONT PANEL								
005-7215-00	LEFT FRONT PANEL KIT	905-7215-00	905-7215-00	905-7215-00	905-7215-00	905-7215-00	905-7215-00	905-7215-00	905-7215-00
529-0060-04	POWER CABLE-MOLDED PLUG	529-0060-04	529-0060-04	529-0060-04	529-0060-04	529-0060-04	529-0060-04	529-0060-04	529-0060-04
529-0060-25	POWER CABLE-MOLDED PLUG								

X-Line Service - Extended Medium Temp

Production Part	Description	XFAP-015Z-CFV-081	XFAP-015Z-TFC-081	XFAP-017Z-CFV-081	XFAP-017Z-TFC-081	XFAP-020Z-CFV-081	XFAP-020Z-TFC-081	XFAP-022Z-CFV-081	XFAP-022Z-TFC-081
577-0542-03	RECEIVER ASSEMBLY	577-0542-03	577-0542-03	577-0542-03	577-0542-03	577-0542-03	577-0542-03	577-0542-03	577-0542-03
577-0542-04	RECEIVER ASSEMBLY								
040-0181-00	DEFROST RELAY KIT	940-0181-00	940-0181-00	940-0181-00	940-0181-00	940-0181-00	940-0181-00	940-0181-00	940-0181-00
040-0166-37	RELAY-POTENTIAL KIT	940-0001-79		940-0001-79		940-0001-79		940-0001-79	
529-0220-**	SENSOR & CLIP MASTER KIT	929-0304-00	929-0304-00	929-0304-00	929-0304-00	929-0304-00	929-0304-00	929-0304-00	929-0304-00
077-0036-01	ACCUMULATOR TANK KIT								
077-0037-01	ACCUMULATOR TANK KIT	977-0037-01	977-0037-01	977-0037-01	977-0037-01	977-0037-01	977-0037-01	977-0037-01	977-0037-01
080-0139-08	TERMINAL BLOCK KIT	980-0139-08	980-0139-08	980-0139-08	980-0139-08	980-0139-08	980-0139-08	980-0139-08	980-0139-08
080-0139-09	TERMINAL BLOCK KIT	980-0139-09	980-0139-09	980-0139-09	980-0139-09	980-0139-09	980-0139-09	980-0139-09	980-0139-09
580-0086-00	TERMINAL BLOCK ASSM KIT	980-0086-00		980-0086-00		980-0086-00		980-0086-00	
580-0086-01	TERMINAL BLOCK ASSEMBLY		980-0086-01		980-0086-01		980-0086-01		980-0086-01
039-0026-06	EUC SUCTION PRESSURE TRANSDUCER	929-0114-00	929-0114-00	929-0114-00	929-0114-00	929-0114-00	929-0114-00	929-0114-00	929-0114-00
037-0038-03	TRANSFORMER CONTROL	037-0038-03	037-0038-03	037-0038-03	037-0038-03	037-0038-03	037-0038-03	037-0038-03	037-0038-03
510-7062-00	ACCESS VALVE KIT	910-7062-00	910-7062-00	910-7062-00	910-7062-00	910-7062-00	910-7062-00	910-7062-00	910-7062-00
010-7003-01	CHECK VALVE KIT	910-7003-01	910-7003-01	910-7003-01	910-7003-01	910-7003-01	910-7003-01	910-7003-01	910-7003-01
010-0104-00	EXV INJECTION VALVE KIT	910-0104-00	910-0104-00	910-0104-00	910-0104-00	910-0104-00	910-0104-00	910-0104-00	910-0104-00
510-0730-01	PRESSURE VALVE KIT	910-0730-00	910-0730-00	910-0730-00	910-0730-00	910-0730-00	910-0730-00	910-0730-00	910-0730-00
003-1220-00	X-LINE VALVE PLATE KIT	903-1220-00	903-1220-00	903-1220-00	903-1220-00	903-1220-00	903-1220-00	903-1220-00	903-1220-00
010-0142-02	LIQUID LINE REC KIT-MT	910-0142-02	910-0142-02	910-0142-02	910-0142-02	910-0142-02	910-0142-02	910-0142-02	910-0142-02
010-0179-00	LIQUID BASE VALVE KIT	910-7009-01	910-7009-01	910-7009-01	910-7009-01	910-7009-01	910-7009-01	910-7009-01	910-7009-01
010-0180-00	SERVICE VALVE KIT	910-0180-00	910-0180-00	910-0180-00	910-0180-00	910-0180-00	910-0180-00	910-0180-00	910-0180-00
ZS09KAE-PFV-118	WELD COMP	ZS09KAE-PFV-818							
ZS09KAE-TF5-118	WELD COMP		ZS09KAE-TF5-818						
ZS11KAE-PFV-118	WELD COMP			ZS11KAE-PFV-818					
ZS11KAE-TF5-118	WELD COMP				ZS11KAE-TF5-818				
ZS13KAE-PFV-118	WELD COMP					ZS13KAE-PFV-818			
ZS13KAE-TF5-118	WELD COMP						ZS13KAE-TF5-818		
ZS15KAE-PFV-118	WELD COMP							ZS15KAE-PFV-818	
ZS15KAE-TF5-118	WELD COMP								ZS15KAE-TF5-818
Accessories									
	Master Service Kit	980-0080-00	980-0080-00	980-0080-00	980-0080-00	980-0080-00	980-0080-00	980-0080-00	980-0080-00
	Wall Bracket	074-7286-00	074-7286-00	074-7286-00	074-7286-00	074-7286-00	074-7286-00	074-7286-00	074-7286-00
	Adjustable Stand	074-7289-00	074-7289-00	074-7289-00	074-7289-00	074-7289-00	074-7289-00	074-7289-00	074-7289-00
	"CoreSense Communications Kit (PC Interface Kit)"	943-0224-00	943-0224-00	943-0224-00	943-0224-00	943-0224-00	943-0224-00	943-0224-00	943-0224-00
	Remote Display - Controller	943-0058-00	943-0058-00	943-0058-00	943-0058-00	943-0058-00	943-0058-00	943-0058-00	943-0058-00
	DI3 Cable Kit	929-0220-16	929-0220-16	929-0220-16	929-0220-16	929-0220-16	929-0220-16	929-0220-16	929-0220-16
	Wind Baffle Kit*	998-0877-00	998-0877-00	998-0877-00	998-0877-00	998-0877-00	998-0877-00	998-0877-00	998-0877-00
	External Receiver Tank	977-0033-00	977-0033-00	977-0033-00	977-0033-00	977-0033-00	977-0033-00	977-0033-00	977-0033-00

*Requires quantity 2 for Dual Fan Units

X-Line Service - Extended Medium Temp

Production Part	Description	XFAP-025Z-CFV-081	XFAP-025Z-TFC-081	XFAP-030Z-CFV-081	XFAP-030Z-TFC-081	XFAP-033Z-CFV-081	XFAP-033Z-TFC-081	XFAP-037Z-CFV-081	XFAP-037Z-TFC-081
022-0644-00	BASE PLATE KIT	922-0644-00	922-0644-00	922-0644-00	922-0644-00	922-0644-00	922-0644-00	922-0644-00	922-0644-00
083-6931-00	BLADE KIT	983-6931-00	983-6931-00	983-6931-00	983-6931-00	983-6931-00	983-6931-00	983-6931-00	983-6931-00
062-7053-00	BOX-ELECTRICAL	062-7053-00	062-7053-00	062-7053-00	062-7053-00	062-7053-00	062-7053-00	062-7053-00	062-7053-00
074-1207-01	BRACKET-EXV	074-1207-01	074-1207-01	074-1207-01	074-1207-01	074-1207-01	074-1207-01	074-1207-01	074-1207-01
074-1205-00	BRACKET-STABILIZER TOP	074-1205-00	074-1205-00	074-1205-00	074-1205-00	074-1205-00	074-1205-00	074-1205-00	074-1205-00
074-1424-00	BRACKET-FAN MOTOR	074-1424-00	074-1424-00	074-1424-00	074-1424-00	074-1424-00	074-1424-00	074-1424-00	074-1424-00
074-1425-00	BRACKET-FAN MOTOR								
074-7284-00	BRACKET-COVER RIGHT	074-7284-00	074-7284-00	074-7284-00	074-7284-00	074-7284-00	074-7284-00	074-7284-00	074-7284-00
074-7282-00	BRACKET-MOUNTING	074-7282-00	074-7282-00	074-7282-00	074-7282-00	074-7282-00	074-7282-00	074-7282-00	074-7282-00
071-7018-00	CIRCUIT BREAKER KIT	971-7018-00	971-7018-00	971-7018-00	971-7018-00	971-7018-00	971-7018-00	971-7018-00	971-7018-00
529-0222-01	CABLE-WIRE HARNESS	529-0222-01	529-0222-01	529-0222-01	529-0222-01	529-0222-01	529-0222-01	529-0222-01	529-0222-01
529-0222-02	CABLE-WIRE HARNESS								
014-0083-00	FAN CAPACITOR KIT	914-0083-00	914-0083-00	914-0083-00	914-0083-00	914-0083-00	914-0083-00	914-0083-00	914-0083-00
014-0064-06	RUN CAP KIT W/CLAMP								
014-0064-07	RUN CAP KIT W/CLAMP								
014-0064-08	RUN CAP KIT W/CLAMP								
014-0064-18	RUN CAP KIT							914-0037-22	
014-0064-25	RUN CAP KIT	914-0037-36							
014-0064-27	RUN CAP KIT								
014-0064-28	RUN CAP KIT			914-0037-39		914-0037-39			
014-0006-15	CAP START KIT								
014-0061-27	CAP START KIT	914-0036-03		914-0036-03		914-0036-03		914-0036-03	
032-0359-07	CLAMP-CAPACITOR								
032-0359-08	CLAMP-CAPACITOR	032-0359-08		032-0359-08		032-0359-08		032-0359-08	
032-0359-09	CLAMP-CAPACITOR							032-0359-09	
032-0359-11	CLAMP-CAPACITOR	032-0359-11							
032-0743-01	CLAMP-CAPACITOR	032-0743-01	032-0743-01	032-0743-01	032-0743-01	032-0743-01	032-0743-01	032-0743-01	
032-7003-06	CLAMP-TUBE	032-7003-06	032-7003-06	032-7003-06	032-7003-06	032-7003-06	032-7003-06	032-7003-06	032-7003-06
032-0688-02	CLIP-PIPE	032-0688-02	032-0688-02	032-0688-02	032-0688-02	032-0688-02	032-0688-02	032-0688-02	
032-0731-00	CLIP-SENSOR	032-0731-00	032-0731-00	032-0731-00	032-0731-00	032-0731-00	032-0731-00	032-0731-00	
023-0068-00	EXV INJECTION COIL KIT								
023-0068-04	EXV INJECTION COIL KIT	923-0068-00	923-0068-00	923-0068-00	923-0068-00	923-0068-00	923-0068-00	923-0068-00	923-0068-00
012-1401-04	CONTACTOR KIT	912-1401-04		912-1401-04		912-1401-04		912-1401-04	
012-1401-06	CONTACTOR KIT		912-3040-02		912-3040-02		912-3040-02		912-3040-02
543-0214-00	XCM25D ELECT UNIT CONTROLLER	943-0214-00	943-0214-00	943-0214-00	943-0214-00	943-0214-00	943-0214-00	943-0214-00	943-0214-00
085-7031-06	PRESSURE CONTROL KIT	985-7031-06	985-7031-06	985-7031-06	985-7031-06	985-7031-06	985-7031-06	985-7031-06	985-7031-06
005-7230-00	COVER-ELECTRICAL BOX	905-7230-00	905-7230-00	905-7230-00	905-7230-00	905-7230-00	905-7230-00	905-7230-00	905-7230-00
005-7193-00	HANDLE COVER KIT	905-7193-00	905-7193-00	905-7193-00	905-7193-00	905-7193-00	905-7193-00	905-7193-00	905-7193-00
005-1331-00	RIGHT PANEL KIT	905-1331-00	905-1331-00	905-1331-00	905-1331-00	905-1331-00	905-1331-00	905-1331-00	905-1331-00
005-1876-00	KIT-RIGHT PANEL								
005-1280-00	COVER-SENSOR	905-1280-00	905-1280-00	905-1280-00	905-1280-00	905-1280-00	905-1280-00	905-1280-00	905-1280-00
005-1273-00	TOP PANEL KIT	905-1273-00	905-1273-00	905-1273-00	905-1273-00	905-1273-00	905-1273-00	905-1273-00	905-1273-00
505-7098-00	DOOR ASSEMBLY								
505-7099-00	DOOR ASSEMBLY	505-7099-00	505-7099-00	505-7099-00	505-7099-00	505-7099-00	505-7099-00	505-7099-00	505-7099-00
013-7000-31	FILTER DRIER KIT	913-7000-31	913-7000-31	913-7000-31	913-7000-31	913-7000-31	913-7000-31	913-7000-31	913-7000-31
024-0262-00	KIT-COIL GUARD								
024-0263-00	COIL GUARD KIT	924-0263-00	924-0263-00	924-0263-00	924-0263-00	924-0263-00	924-0263-00	924-0263-00	924-0263-00
024-0264-00	FAN GUARD KIT	924-0264-00	924-0264-00	924-0264-00	924-0264-00	924-0264-00	924-0264-00	924-0264-00	924-0264-00
005-7193-01	HANDLE COVER KIT	905-7193-01	905-7193-01	905-7193-01	905-7193-01	905-7193-01	905-7193-01	905-7193-01	905-7193-01
905-1280-00	WIDE GRIP HAND KIT	905-1280-00	905-1280-00	905-1280-00	905-1280-00	905-1280-00	905-1280-00	905-1280-00	905-1280-00
018-0094-05	CRANKCASE HEATER KIT								
018-0095-04	HEATER-CRANKCASE	918-0043-00	918-0043-00	918-0043-00	918-0043-00	918-0043-00	918-0043-00	918-0043-00	918-0043-00
018-7013-00	RECEIVER HEAT KIT	918-0100-00	918-0100-00	918-0100-00	918-0100-00	918-0100-00	918-0100-00	918-0100-00	918-0100-00
032-0592-00	HOLDER-SENSOR	032-0592-00	032-0592-00	032-0592-00	032-0592-00	032-0592-00	032-0592-00	032-0592-00	
943-0039-00	HOTKEY PROGRAM GROUP	943-0039-00	943-0039-00	943-0039-00	943-0039-00	943-0039-00	943-0039-00	943-0039-00	943-0039-00
570-7003-06	MOISTURE INDICATOR KIT	970-7003-06	970-7003-06	970-7003-06	970-7003-06	970-7003-06	970-7003-06	970-7003-06	970-7003-06
050-0316-01	MOTOR-FAN	050-0316-01	050-0316-01	050-0316-01	050-0316-01	050-0316-01	050-0316-01	050-0316-01	050-0316-01
005-7214-00	KIT-LEFT FRONT PANEL								
005-7215-00	LEFT FRONT PANEL KIT	905-7215-00	905-7215-00	905-7215-00	905-7215-00	905-7215-00	905-7215-00	905-7215-00	905-7215-00
529-0060-04	POWER CABLE-MOLDED PLUG	529-0060-04	529-0060-04	529-0060-04	529-0060-04	529-0060-04	529-0060-04	529-0060-04	529-0060-04
529-0060-25	POWER CABLE-MOLDED PLUG								

X-Line Service - Extended Medium Temp

Production Part	Description	XFAP-025Z-CFV-081	XFAP-025Z-TFC-081	XFAP-030Z-CFV-081	XFAP-030Z-TFC-081	XFAP-033Z-CFV-081	XFAP-033Z-TFC-081	XFAP-037Z-CFV-081	XFAP-037Z-TFC-081
577-0542-03	RECEIVER ASSEMBLY	577-0542-03	577-0542-03	577-0542-03	577-0542-03	577-0542-03	577-0542-03	577-0542-03	577-0542-03
577-0542-04	RECEIVER ASSEMBLY								
040-0181-00	DEFROST RELAY KIT	940-0181-00	940-0181-00	940-0181-00	940-0181-00	940-0181-00	940-0181-00	940-0181-00	940-0181-00
040-0166-37	RELAY-POTENTIAL KIT	940-0001-79		940-0001-79		940-0001-79		940-0001-79	
529-0220-**	SENSOR & CLIP MASTER KIT	929-0304-00	929-0304-00	929-0304-00	929-0304-00	929-0304-00	929-0304-00	929-0304-00	929-0304-00
077-0036-01	ACCUMULATOR TANK KIT								
077-0037-01	ACCUMULATOR TANK KIT	977-0037-01	977-0037-01	977-0037-01	977-0037-01	977-0037-01	977-0037-01	977-0037-01	977-0037-01
080-0139-08	TERMINAL BLOCK KIT	980-0139-08	980-0139-08	980-0139-08	980-0139-08	980-0139-08	980-0139-08	980-0139-08	980-0139-08
080-0139-09	TERMINAL BLOCK KIT	980-0139-09	980-0139-09	980-0139-09	980-0139-09	980-0139-09	980-0139-09	980-0139-09	980-0139-09
580-0086-00	TERMINAL BLOCK ASSM KIT	980-0086-00		980-0086-00		980-0086-00		980-0086-00	
580-0086-01	TERMINAL BLOCK ASSEMBLY		980-0086-01		980-0086-01		980-0086-01		980-0086-01
039-0026-06	EUC SUCTION PRESSURE TRANSDUCER	929-0114-00	929-0114-00	929-0114-00	929-0114-00	929-0114-00	929-0114-00	929-0114-00	929-0114-00
037-0038-03	TRANSFORMER CONTROL	037-0038-03	037-0038-03	037-0038-03	037-0038-03	037-0038-03	037-0038-03	037-0038-03	037-0038-03
510-7062-00	ACCESS VALVE KIT	910-7062-00	910-7062-00	910-7062-00	910-7062-00	910-7062-00	910-7062-00	910-7062-00	910-7062-00
010-7003-01	CHECK VALVE KIT	910-7003-01	910-7003-01	910-7003-01	910-7003-01	910-7003-01	910-7003-01	910-7003-01	910-7003-01
010-0104-00	EXV INJECTION VALVE KIT	910-0104-00	910-0104-00	910-0104-00	910-0104-00	910-0104-00	910-0104-00	910-0104-00	910-0104-00
510-0730-01	PRESSURE VALVE KIT	910-0730-00	910-0730-00	910-0730-00	910-0730-00	910-0730-00	910-0730-00	910-0730-00	910-0730-00
903-1220-00	X-LINE VALVE PLATE KIT	903-1220-00	903-1220-00	903-1220-00	903-1220-00	903-1220-00	903-1220-00	903-1220-00	903-1220-00
010-0142-02	LIQUID LINE REC KIT-MT	910-0142-02	910-0142-02	910-0142-02	910-0142-02	910-0142-02	910-0142-02	910-0142-02	910-0142-02
010-0179-00	LIQUID BASE VALVE KIT	910-7009-01	910-7009-01	910-7009-01	910-7009-01	910-7009-01	910-7009-01	910-7009-01	910-7009-01
010-0180-00	SERVICE VALVE KIT	910-0180-00	910-0180-00	910-0180-00	910-0180-00	910-0180-00	910-0180-00	910-0180-00	910-0180-00
ZS19KAE-PFV-118		ZS19KAE-PFV-818							
ZS19KAE-TF5-118			ZS19KAE-TF5-818						
ZS21KAE-PFV-118				ZS21KAE-PFV-818					
ZS21KAE-TF5-118					ZS21KAE-TF5-818				
ZS26KAE-PFV-118						ZS26KAE-PFV-818			
ZS26KAE-TF5-118							ZS26KAE-TF5-818		
ZS29KAE-PFV-118								ZS29KAE-PFV-818	
ZS29KAE-TF5-118									ZS29KAE-TF5-818
Accessories									
	Master Service Kit	980-0080-00	980-0080-00	980-0080-00	980-0080-00	980-0080-00	980-0080-00	980-0080-00	980-0080-00
	Wall Bracket	074-7286-00	074-7286-00	074-7286-00	074-7286-00	074-7286-00	074-7286-00	074-7286-00	074-7286-00
	Adjustable Stand	074-7289-00	074-7289-00	074-7289-00	074-7289-00	074-7289-00	074-7289-00	074-7289-00	074-7289-00
	"CoreSense Communications Kit (PC Interface Kit)"	943-0224-00	943-0224-00	943-0224-00	943-0224-00	943-0224-00	943-0224-00	943-0224-00	943-0224-00
	Remote Display - Controller	943-0058-00	943-0058-00	943-0058-00	943-0058-00	943-0058-00	943-0058-00	943-0058-00	943-0058-00
	DI3 Cable Kit	929-0220-16	929-0220-16	929-0220-16	929-0220-16	929-0220-16	929-0220-16	929-0220-16	929-0220-16
	Wind Baffle Kit*	998-0877-00	998-0877-00	998-0877-00	998-0877-00	998-0877-00	998-0877-00	998-0877-00	998-0877-00
	External Receiver Tank	977-0033-00	977-0033-00	977-0033-00	977-0033-00	977-0033-00	977-0033-00	977-0033-00	977-0033-00

*Requires quantity 2 for Dual Fan Units

X-Line Service - Extended Medium Temp

Production Part	Description	XFAP-045Z-CFV-081	XFAP-045Z-TFC-081	XFAP-050Z-CFV-081	XFAP-050Z-TFC-081	XFAP-060Z-TFC-081
022-0644-00	BASE PLATE KIT	922-0644-00	922-0644-00	922-0644-00	922-0644-00	922-0644-00
083-6931-00	BLADE KIT	983-6931-00	983-6931-00	983-6931-00	983-6931-00	983-6931-00
062-7053-00	BOX-ELECTRICAL	062-7053-00	062-7053-00	062-7053-00	062-7053-00	062-7053-00
074-1207-01	BRACKET-EXV	074-1207-01	074-1207-01	074-1207-01	074-1207-01	074-1207-01
074-1205-00	BRACKET-STABILIZER TOP	074-1205-00	074-1205-00	074-1205-00	074-1205-00	074-1205-00
074-1424-00	BRACKET-FAN MOTOR					
074-1425-00	BRACKET-FAN MOTOR	074-1425-00	074-1425-00	074-1425-00	074-1425-00	074-1425-00
074-7284-00	BRACKET-COVER RIGHT	074-7284-00	074-7284-00	074-7284-00	074-7284-00	074-7284-00
074-7282-00	BRACKET-MOUNTING	074-7282-00	074-7282-00	074-7282-00	074-7282-00	074-7282-00
071-7018-00	CIRCUIT BREAKER KIT	971-7018-00	971-7018-00	971-7018-00	971-7018-00	971-7018-00
529-0222-01	CABLE-WIRE HARNESS					
529-0222-02	CABLE-WIRE HARNESS	529-0222-02	529-0222-02	529-0222-02	529-0222-02	529-0222-02
014-0083-00	FAN CAPACITOR KIT	914-0083-00	914-0083-00	914-0083-00	914-0083-00	914-0083-00
014-0064-06	RUN CAP KIT W/CLAMP					
014-0064-07	RUN CAP KIT W/CLAMP					
014-0064-08	RUN CAP KIT W/CLAMP					
014-0064-18	RUN CAP KIT					
014-0064-25	RUN CAP KIT					
014-0064-27	RUN CAP KIT	914-0037-38		914-0037-38		
014-0064-28	RUN CAP KIT					
014-0006-15	CAP START KIT			914-0006-10		
014-0061-27	CAP START KIT	914-0036-03				
032-0359-07	CLAMP-CAPACITOR					
032-0359-08	CLAMP-CAPACITOR					
032-0359-09	CLAMP-CAPACITOR			032-0359-09		
032-0359-11	CLAMP-CAPACITOR	032-0359-11		032-0359-11		
032-0743-01	CLAMP-CAPACITOR	032-0743-01	032-0743-01	032-0743-01	032-0743-01	032-0743-01
032-7003-06	CLAMP-TUBE	032-7003-06	032-7003-06	032-7003-06	032-7003-06	032-7003-06
032-0688-02	CLIP-PIPE	032-0688-02	032-0688-02	032-0688-02	032-0688-02	032-0688-02
032-0731-00	CLIP-SENSOR	032-0731-00	032-0731-00	032-0731-00	032-0731-00	032-0731-00
023-0068-00	EXV INJECTION COIL KIT	923-0068-03	923-0068-03	923-0068-03	923-0068-03	923-0068-03
023-0068-04	EXV INJECTION COIL KIT					
012-1401-04	CONTACTOR KIT	912-1401-04		912-1401-04		
012-1401-06	CONTACTOR KIT		912-3040-02		912-3040-02	912-3040-02
543-0214-00	XCM25D ELECT UNIT CONTROLLER	943-0214-00	943-0214-00	943-0214-00	943-0214-00	943-0214-00
085-7031-06	PRESSURE CONTROL KIT	985-7031-06	985-7031-06	985-7031-06	985-7031-06	985-7031-06
005-7230-00	COVER-ELECTRICAL BOX	905-7230-00	905-7230-00	905-7230-00	905-7230-00	905-7230-00
005-7193-00	HANDLE COVER KIT	905-7193-00	905-7193-00	905-7193-00	905-7193-00	905-7193-00
005-1331-00	RIGHT PANEL KIT					
005-1876-00	KIT-RIGHT PANEL	005-1876-00	005-1876-00	005-1876-00	005-1876-00	005-1876-00
005-1280-00	COVER-SENSOR	905-1280-00	905-1280-00	905-1280-00	905-1280-00	905-1280-00
005-1273-00	TOP PANEL KIT	905-1273-00	905-1273-00	905-1273-00	905-1273-00	905-1273-00
505-7098-00	DOOR ASSEMBLY	505-7098-00	505-7098-00	505-7098-00	505-7098-00	505-7098-00
505-7099-00	DOOR ASSEMBLY					
013-7000-31	FILTER DRIER KIT	913-7000-31	913-7000-31	913-7000-31	913-7000-31	913-7000-31
024-0262-00	KIT-COIL GUARD	924-0262-00	924-0262-00	924-0262-00	924-0262-00	924-0262-00
024-0263-00	COIL GUARD KIT					
024-0264-00	FAN GUARD KIT	924-0264-00	924-0264-00	924-0264-00	924-0264-00	924-0264-00
005-7193-01	HANDLE COVER KIT	905-7193-01	905-7193-01	905-7193-01	905-7193-01	905-7193-01
905-1280-00	WIDE GRIP HAND KIT	905-1280-00	905-1280-00	905-1280-00	905-1280-00	905-1280-00
018-0094-05	CRANKCASE HEATER KIT					
018-0095-04	HEATER-CRANKCASE	918-0043-00	918-0043-00	918-0043-00	918-0043-00	918-0043-00
018-7013-00	RECEIVER HEAT KIT	918-0100-00	918-0100-00	918-0100-00	918-0100-00	918-0100-00
032-0592-00	HOLDER-SENSOR	032-0592-00	032-0592-00	032-0592-00	032-0592-00	032-0592-00
943-0039-00	HOTKEY PROGRAM GROUP	943-0039-00	943-0039-00	943-0039-00	943-0039-00	943-0039-00
570-7003-06	MOISTURE INDICATOR KIT	970-7003-06	970-7003-06	970-7003-06	970-7003-06	970-7003-06
050-0316-01	MOTOR-FAN	050-0316-01	050-0316-01	050-0316-01	050-0316-01	050-0316-01
005-7214-00	KIT-LEFT FRONT PANEL	905-7214-00	905-7214-00	905-7214-00	905-7214-00	905-7214-00
005-7215-00	LEFT FRONT PANEL KIT					
529-0060-04	POWER CABLE-MOLDED PLUG					529-0060-04
529-0060-25	POWER CABLE-MOLDED PLUG	529-0060-25	529-0060-25			

X-Line Service - Extended Medium Temp

Production Part	Description	XFAP-045Z-CFV-081	XFAP-045Z-TFC-081	XFAP-050Z-CFV-081	XFAP-050Z-TFC-081	XFAP-060Z-TFC-081
577-0542-03	RECEIVER ASSEMBLY					
577-0542-04	RECEIVER ASSEMBLY	577-0542-04	577-0542-04		577-0542-04	577-0542-04
040-0181-00	DEFROST RELAY KIT	940-0181-00	940-0181-00	940-0181-00	940-0181-00	940-0181-00
040-0166-37	RELAY-POTENTIAL KIT	940-0001-79		940-0001-79		
529-0220-**	SENSOR & CLIP MASTER KIT	929-0304-00	929-0304-00	929-0304-00	929-0304-00	929-0304-00
077-0036-01	ACCUMULATOR TANK KIT	977-0036-01	977-0036-01	977-0036-01	977-0036-01	977-0036-01
077-0037-01	ACCUMULATOR TANK KIT					
080-0139-08	TERMINAL BLOCK KIT	980-0139-08	980-0139-08	980-0139-08	980-0139-08	980-0139-08
080-0139-09	TERMINAL BLOCK KIT	980-0139-09	980-0139-09	980-0139-09	980-0139-09	980-0139-09
580-0086-00	TERMINAL BLOCK ASSM KIT	980-0086-00		980-0086-00		
580-0086-01	TERMINAL BLOCK ASSEMBLY		980-0086-01		980-0086-01	980-0086-01
039-0026-06	EUC SUCTION PRESSURE TRANSDUCER	929-0114-00	929-0114-00	929-0114-00	929-0114-00	929-0114-00
037-0038-03	TRANSFORMER CONTROL	037-0038-03	037-0038-03	037-0038-03	037-0038-03	037-0038-03
510-7062-00	ACCESS VALVE KIT	910-7062-00	910-7062-00	910-7062-00	910-7062-00	910-7062-00
010-7003-01	CHECK VALVE KIT	910-7003-01	910-7003-01	910-7003-01	910-7003-01	910-7003-01
010-0104-00	EXV INJECTION VALVE KIT	910-0104-00	910-0104-00	910-0104-00	910-0104-00	910-0104-00
510-0730-01	PRESSURE VALVE KIT	910-0730-00	910-0730-00	910-0730-00	910-0730-00	910-0730-00
903-1220-00	X-LINE VALVE PLATE KIT	903-1220-00	903-1220-00	903-1220-00	903-1220-00	903-1220-00
010-0142-02	LIQUID LINE REC KIT-MT	910-0142-02	910-0142-02	910-0142-02	910-0142-02	910-0142-02
010-0179-00	LIQUID BASE VALVE KIT	910-7009-01	910-7009-01	910-7009-01	010-0179-00	910-7009-01
010-0180-00	SERVICE VALVE KIT	910-0180-00	910-0180-00	910-0180-00	910-0180-00	910-0180-00
ZS33KAE-PFV-118	WELD COMP	ZS33KAE-PFV-818				
ZS33KAE-TF5-118	WELD COMP		ZS33KAE-TF5-818			
ZS38K4E-PFV-250	WELD COMP			ZS38K4E-PFV-950		
ZS38K4E-TF5-250	WELD COMP				ZS38K4E-TF5-950	
ZS45K4E-TF5-250	WELD COMP					ZS45K4E-TF5-950

Accessories

Master Service Kit	980-0080-00	980-0080-00	980-0080-00	980-0080-00	980-0080-00	980-0080-00
Wall Bracket	074-7286-00	074-7286-00	074-7286-00	074-7286-00	074-7286-00	074-7286-00
Adjustable Stand	074-7289-00	074-7289-00	074-7289-00	074-7289-00	074-7289-00	074-7289-00
"CoreSense Communications Kit (PC Interface Kit)"	943-0224-00	943-0224-00	943-0224-00	943-0224-00	943-0224-00	943-0224-00
Remote Display - Controller	943-0058-00	943-0058-00	943-0058-00	943-0058-00	943-0058-00	943-0058-00
DI3 Cable Kit	929-0220-16	929-0220-16	929-0220-16	929-0220-16	929-0220-16	929-0220-16
Wind Baffle Kit*	998-0877-00	998-0877-00	998-0877-00	998-0877-00	998-0877-00	998-0877-00
External Receiver Tank	977-0033-00	977-0033-00	977-0033-00	977-0033-00	977-0033-00	977-0033-00

*Requires quantity 2 for Dual Fan Units

980-0080-00 Master Service Kit

Component	Description
037-0038-01	TRANSFORMER CONTROL
039-0026-06	TRANSDUCER - PRESSURE
529-0060-04	POWER CABLE - MOLDED PLUG
529-0060-25	POWER CABLE - MOLDED PLUG
529-0222-01	CABLE-WIRE HARNESS
529-0222-02	CABLE-WIRE HARNESS
912-1401-04	CONTACTOR
912-3040-02	CONTACTOR
914-0083-00	CAPACITOR-FAN
923-0068-00	COIL-EXV
929-0304-00	CABLE-SENSOR ASSEMBLY
940-0181-00	RELAY-DEFROST
943-0214-00	CONTROLLER - ELECT. UNIT
971-7018-00	BREAKER-CURCUIT
980-0086-00	TERMINAL BLOCK ASSEMBLY
980-0086-01	TERMINAL BLOCK ASSEMBLY
980-0086-00	TERMINAL BLOCK ASSEMBLY
980-0086-01	TERMINAL BLOCK ASSEMBLY

About Emerson

Emerson (NYSE: EMR), headquartered in St. Louis, Missouri (USA), is a global technology and engineering company providing innovative solutions for customers in industrial, commercial, and residential markets. Our Emerson Automation Solutions business helps process, hybrid, and discrete manufacturers maximize production, protect personnel and the environment while optimizing their energy and operating costs. Our Emerson Commercial and Residential Solutions business helps ensure human comfort and health, protect food quality and safety, advance energy efficiency, and create sustainable infrastructure. For more information visit [Emerson.com](https://www.emerson.com).

Connect with Emerson
Commercial & Residential Solutions



[Climate.Emerson.com](https://www.Climate.Emerson.com)

2020ECT-1_X-Line R4 (7/22) Emerson and Copeland are trademarks of Emerson Electric Co. or one of its affiliated companies.
©2022 Emerson Climate Technologies, Inc. All rights reserved.

EMERSON. CONSIDER IT SOLVED.™