



D A T A S H E E T

Electronic Expansion Valves (EXV) provide precise control of refrigerant flow and system superheat in air-conditioning, refrigeration and heat pump application for various ambient conditions. Emerson DX1 series EXV is a highly reliable stepper motor driven expansion valve that offers precise control for a wide range of applications like condensing units, heat pumps, precision cooling, and transport air conditioning among others.

Key Features

- Compact and lightweight with hermetic valve body design
- Highly reliable under extreme applications, 100k full cycle qualified
- Precise expansion process control to enable stable system super heat
- Bi-directional flow characteristics applicable for heat pump system
- Optimum wide modulation range enables higher integrated part load efficiency



General Specifications

- Applicable for all common HFC, HFO mixture refrigerants such as R404A, R134a, R22, R32, R448A, R449A, R410A and R407C.
- Cooling Capacity: 6.2 to 34.0 kW (R410A nominal capacity)
- Certifications: UL
- **Valve Parameters**

Flow Direction	Bi-directional
Flow Characteristic	Non-linear
MWP	47 Bar
MPOD	Normal direction: 35 Bar Reverse direction: Up to 25 Bar (model specific)
Burst Pressure	188 Bar (1 minute without rupture)
Inlet Refrigerant Temperature	-30 ~ 70 °C
Ambient Temperature	-30 ~ 60 °C
Total Pulse	500 (560 ≤ for valve closing fully ≤ 600)
Opening Pulse	30 ± 20
Durability	Tested for 100K times full opening and closing
Weight	48 grams

- **Stator Parameters**

Type	5 wires uni-polar stepper motor
Excitation Speed	30~90 pps, 81.3 Hz recommended (1 pps = 1 pulse per second)
Supply Voltage	12 VDC (+/- 10%)
Nominal Opening Current @ 12 VDC	260 mA/phase
Resistance	46 Ω/phase (+/- 10%)
Insulation Class	E
Cable Length	1.5m, integrated with stator
Electrical Connection	JST XHP-5
Protection Level	IP67
Weight	129 grams



D A T A S H E E T

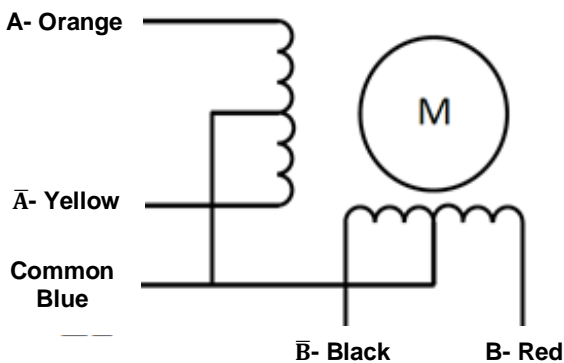
Ordering Information

	PCN	Model	Connection Solder Type		Direct MOPD (Bar)	Reverse MOPD (Bar)	Nominal Cooling Capacity* (kW)						
			A (mm)	B (mm)			R22	R410A	R134a	R407C	R32	R404A	
Valve Body	098370	DX1-A13	6.35	6.35	35	25	5.3	6.2	4.1	5.6	9.1	3.8	
	098371	DX1-A16					8.5	10.0	6.6	9.0	14.8	6.0	
	098372	DX1-A18					10.3	12.1	8.0	11.0	17.8	7.3	
	098373	DX1-A20					12.6	14.8	9.8	13.4	21.8	8.9	
	098374	DX1-A22					15.2	17.8	11.9	16.2	26.3	10.8	
	098375	DX1-A24					18.0	21.2	14.1	19.2	31.3	12.7	
	098376	DX1-A28	8.00	8.00			15	24.6	28.9	19.2	26.2	42.6	17.4
	098377	DX1-A30						26.8	31.5	20.9	28.5	46.5	19.0
098378	DX1-A32	28.9	34.0	22.6	30.7	50.0	20.5						
Stator	098379	DX1-SU157J	IP67, Cable length 1.5M, XHP-5 terminal										

*The nominal capacity is based upon the following standard ASERCOM conditions:

Refrigerant	Evaporating Temperature	Condensing Temperature	Sub-cooling (K)
R404A, R134a, R22, R32, R448A, R449A, R410A	+4°C	+38°C	1
R407C	+4°C dew point	+38°C bubble /+43°C dew point	1

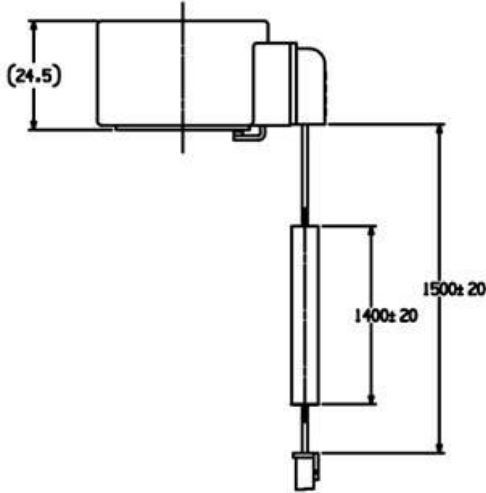
Stepper Motor Wiring and Valve Movement



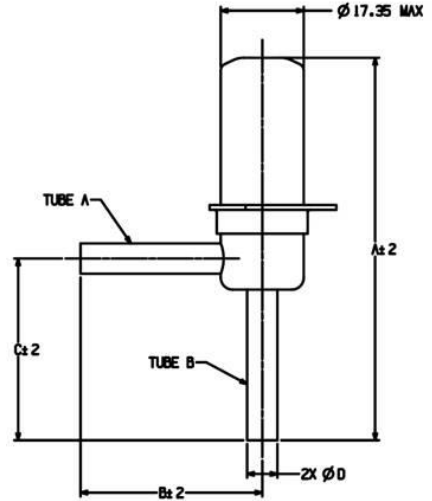
Wires	Valve Movement							
	Open: \rightarrow				Close: \leftarrow			
A: Orange	ON	ON	OFF	OFF	OFF	OFF	OFF	ON
B: Red	OFF	ON	ON	ON	OFF	OFF	OFF	OFF
A-bar Yellow	OFF	OFF	OFF	ON	ON	ON	OFF	OFF
B-bar Black	OFF	OFF	OFF	OFF	OFF	ON	ON	ON
Common: Blue	ON	ON	ON	ON	ON	ON	ON	ON

D A T A S H E E T

Stator Dimensions (mm)



Valve Dimensions (mm)

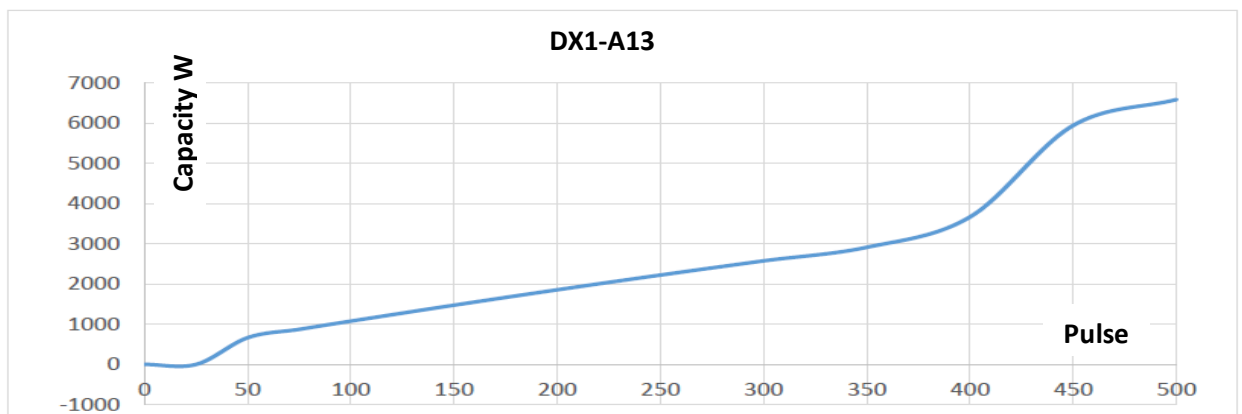


Normal Flow Direction: Tube A to Tube B

Reverse Flow Direction: Tube B to Tube A

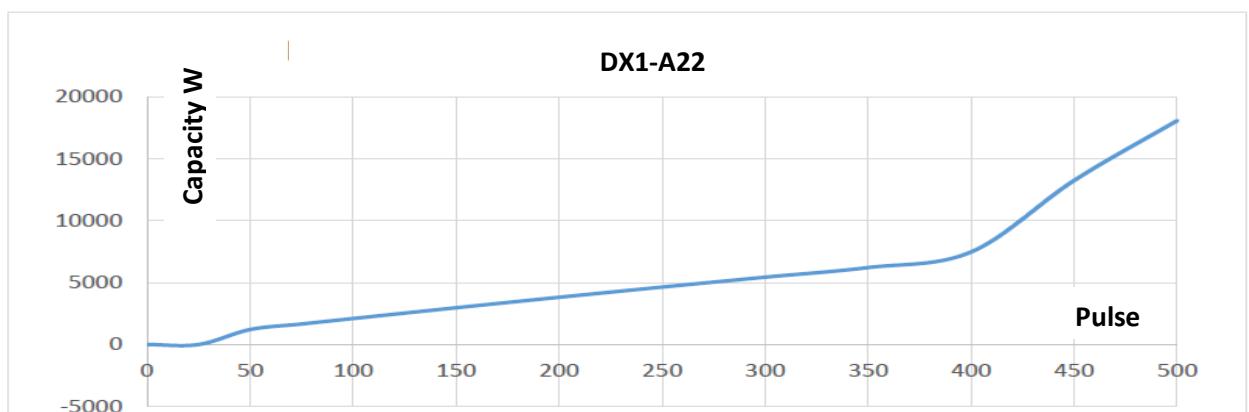
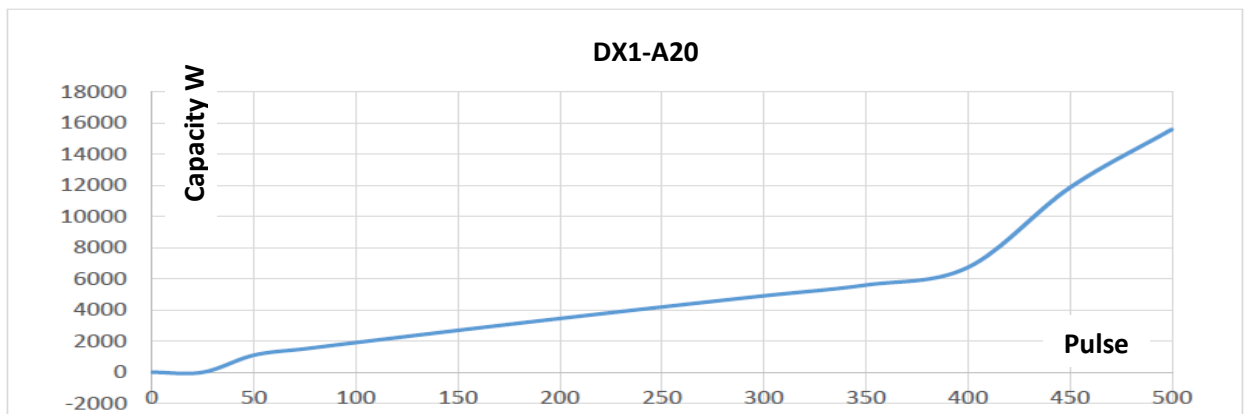
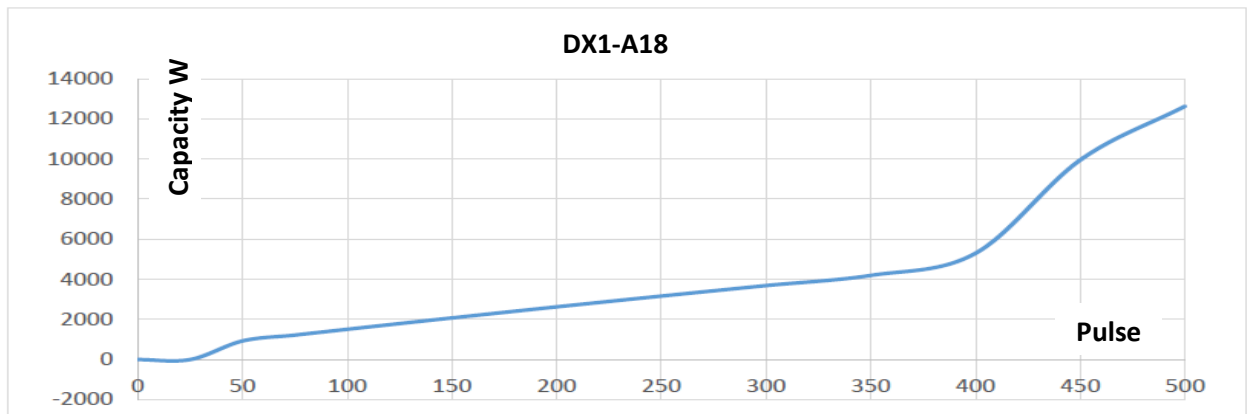
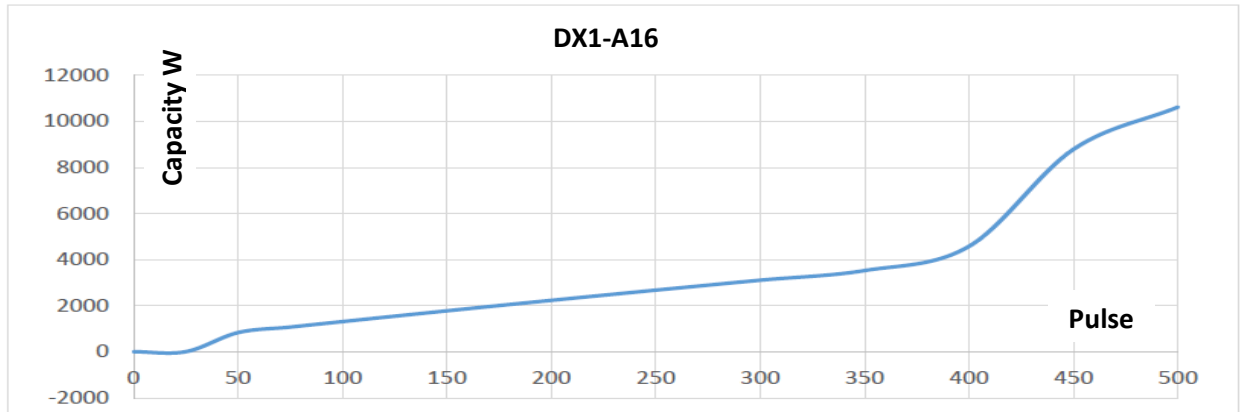
Model	Orifice(mm)	A(mm)	B(mm)	C(mm)	D(mm)
DX1-A13	1.30	80	38	38	6.35 +0/- 0.15
DX1-A16	1.65				
DX1-A18	1.80				
DX1-A20	2.00				
DX1-A22	2.20				
DX1-A24	2.40	89	50	47	8.0 +0/-0.15
DX1-A28	2.80				
DX1-A30	3.00				
DX1-A32	3.20				

Flow Curve: R410A @ ASERCOM Condition



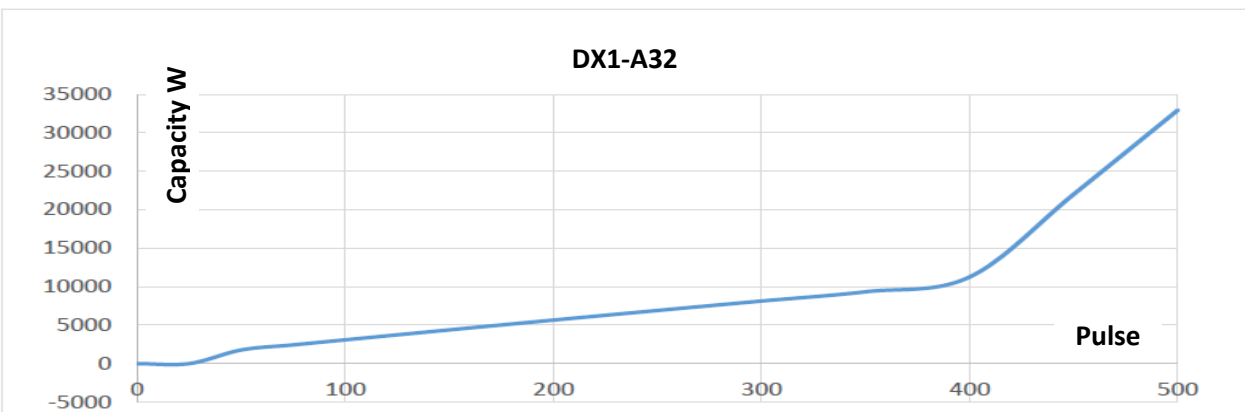
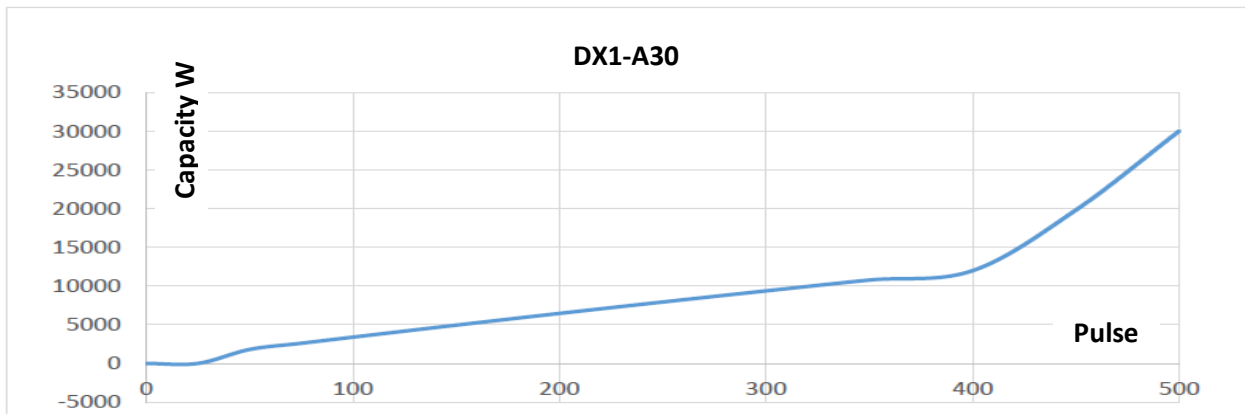
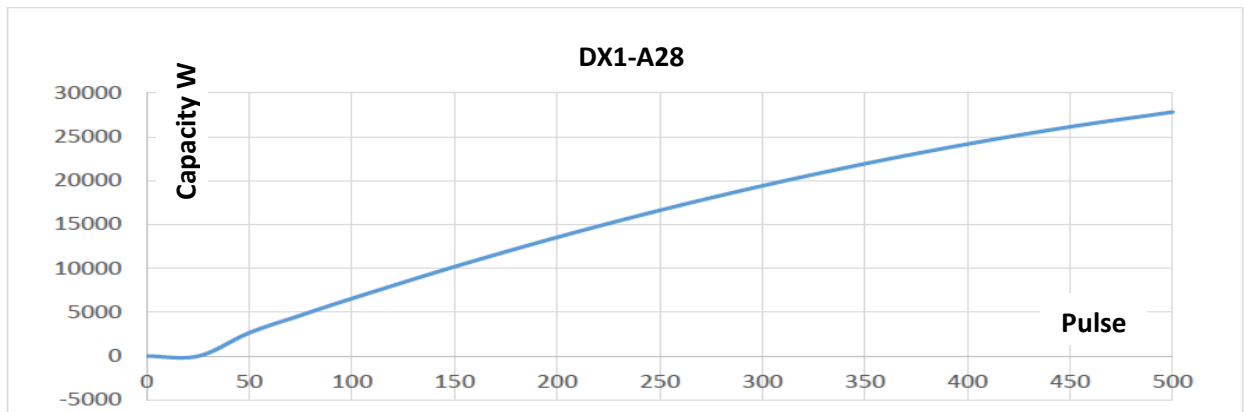
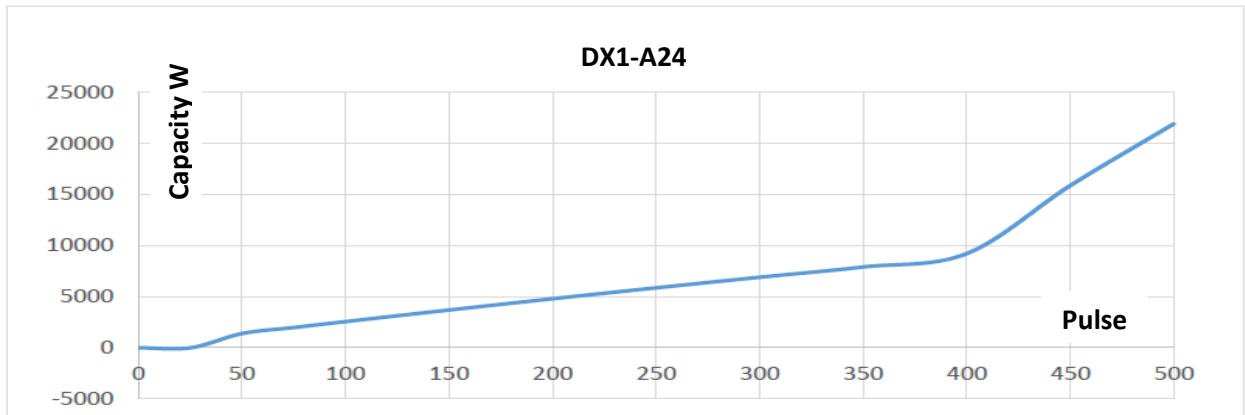


D A T A S H E E T





D A T A S H E E T





D A T A S H E E T

Extended Capacity Table

Condensing Temperature (°C)	R22			Extended Capacity (kW)									Valve Model
				Evaporating Temperature (°C)									
	15	10	5	0	-5	-10	-15	-20	-25	-30	-35	-40	
65	5.5	5.6	5.7	5.7	5.7	5.7	5.6	5.6	5.6	5.5	5.4	5.3	DX1-A13
	8.8	9.0	9.1	9.1	9.1	9.1	9.1	9.0	8.9	8.8	8.7	8.6	DX1-A16
	10.6	10.9	11.0	11.1	11.0	11.1	11.0	11.0	10.8	10.7	10.5	10.4	DX1-A18
	13.0	13.3	13.4	13.5	13.5	13.5	13.4	13.4	13.3	13.0	12.9	12.7	DX1-A20
	15.7	16.0	16.2	16.3	16.3	16.3	16.2	16.2	16.0	15.7	15.5	15.3	DX1-A22
	18.6	19.0	19.2	19.3	19.3	19.3	19.2	19.1	18.9	18.6	18.4	18.2	DX1-A24
	25.4	26.0	26.3	26.4	26.4	26.4	26.2	26.2	25.9	25.4	25.1	24.8	DX1-A28
	27.7	28.3	28.6	28.8	28.7	28.8	28.6	28.5	28.2	27.7	27.4	27.0	DX1-A30
	29.8	30.5	30.8	31.1	31.0	31.0	30.8	30.7	30.4	29.9	29.5	29.1	DX1-A32
60	5.4	5.5	5.7	5.7	5.7	5.8	5.7	5.7	5.7	5.6	5.5	5.5	DX1-A13
	8.7	8.9	9.1	9.2	9.2	9.2	9.2	9.2	9.1	9.0	8.9	8.8	DX1-A16
	10.5	10.8	11.0	11.1	11.2	11.2	11.1	11.1	11.1	10.9	10.8	10.6	DX1-A18
	12.9	13.2	13.4	13.6	13.6	13.7	13.6	13.6	13.5	13.4	13.2	13.0	DX1-A20
	15.6	15.9	16.2	16.4	16.5	16.5	16.4	16.4	16.3	16.1	15.9	15.7	DX1-A22
	18.4	18.8	19.2	19.4	19.5	19.6	19.4	19.4	19.3	19.1	18.8	18.6	DX1-A24
	25.2	25.7	26.2	26.5	26.6	26.7	26.5	26.5	26.4	26.1	25.7	25.4	DX1-A28
	27.4	28.0	28.6	28.9	29.0	29.1	28.9	28.9	28.8	28.4	28.1	27.7	DX1-A30
	29.6	30.2	30.8	31.1	31.3	31.4	31.2	31.1	31.0	30.6	30.2	29.8	DX1-A32
55	5.3	5.4	5.6	5.6	5.7	5.7	5.8	5.8	5.7	5.7	5.6	5.5	DX1-A13
	8.5	8.7	8.9	9.0	9.2	9.2	9.2	9.2	9.2	9.1	9.0	8.9	DX1-A16
	10.3	10.5	10.8	10.9	11.1	11.2	11.2	11.2	11.1	11.0	10.9	10.8	DX1-A18
	12.6	12.9	13.2	13.4	13.6	13.7	13.7	13.7	13.6	13.5	13.4	13.2	DX1-A20
	15.1	15.5	15.9	16.2	16.4	16.5	16.5	16.5	16.4	16.2	16.1	15.9	DX1-A22
	17.9	18.4	18.9	19.1	19.4	19.5	19.6	19.5	19.5	19.2	19.1	18.8	DX1-A24
	24.5	25.1	25.8	26.1	26.6	26.7	26.7	26.7	26.6	26.3	26.1	25.7	DX1-A28
	26.7	27.4	28.1	28.5	28.9	29.1	29.1	29.1	29.0	28.6	28.5	28.1	DX1-A30
	28.8	29.5	30.3	30.7	31.2	31.4	31.4	31.4	31.3	30.9	30.7	30.3	DX1-A32
50	5.1	5.3	5.4	5.5	5.6	5.7	5.7	5.7	5.7	5.7	5.6	5.6	DX1-A13
	8.1	8.5	8.7	8.9	9.0	9.1	9.2	9.2	9.1	9.1	9.1	8.9	DX1-A16
	9.8	10.3	10.5	10.8	10.9	11.1	11.1	11.1	11.1	11.0	11.0	10.8	DX1-A18
	12.0	12.5	12.9	13.2	13.3	13.5	13.6	13.6	13.6	13.5	13.4	13.2	DX1-A20
	14.5	15.1	15.5	15.9	16.1	16.3	16.4	16.4	16.4	16.3	16.2	15.9	DX1-A22
	17.2	17.9	18.4	18.8	19.1	19.3	19.4	19.4	19.4	19.3	19.2	18.9	DX1-A24
	23.5	24.5	25.1	25.7	26.0	26.4	26.5	26.5	26.5	26.4	26.2	25.8	DX1-A28
	25.6	26.7	27.3	28.0	28.4	28.8	28.9	28.9	28.8	28.7	28.5	28.1	DX1-A30
	27.6	28.8	29.5	30.2	30.6	31.1	31.2	31.2	31.1	31.0	30.8	30.3	DX1-A32



DX1 Electronic Expansion Valve

Cooling Controls

D A T A S H E E T

Condensing Temperature (°C)	R22			Extended Capacity (kW)									Valve Model
				Evaporating Temperature (°C)									
	15	10	5	0	-5	-10	-15	-20	-25	-30	-35	-40	
45	4.7	5.0	5.2	5.3	5.5	5.5	5.6	5.6	5.6	5.7	5.6	5.5	DX1-A13
	7.6	8.0	8.4	8.6	8.8	8.9	9.0	9.0	9.0	9.1	9.0	8.9	DX1-A16
	9.2	9.7	10.2	10.4	10.7	10.8	10.9	10.9	10.9	11.0	10.9	10.8	DX1-A18
	11.3	11.9	12.4	12.7	13.0	13.2	13.4	13.4	13.4	13.4	13.4	13.2	DX1-A20
	13.6	14.4	15.0	15.3	15.7	15.9	16.1	16.1	16.1	16.2	16.1	15.9	DX1-A22
	16.1	17.0	17.7	18.2	18.6	18.8	19.1	19.1	19.1	19.2	19.1	18.8	DX1-A24
	22.0	23.3	24.3	24.8	25.4	25.7	26.1	26.1	26.1	26.2	26.1	25.7	DX1-A28
	24.0	25.3	26.4	27.0	27.7	28.0	28.4	28.5	28.4	28.6	28.4	28.0	DX1-A30
25.9	27.3	28.5	29.2	29.9	30.2	30.6	30.7	30.7	30.8	30.6	30.2	DX1-A32	
40	4.3	4.7	4.9	5.1	5.3	5.4	5.5	5.5	5.5	5.5	5.5	5.5	DX1-A13
	6.9	7.5	7.9	8.2	8.5	8.6	8.8	8.8	8.9	8.9	8.8	8.8	DX1-A16
	8.4	9.0	9.5	10.0	10.3	10.4	10.6	10.7	10.8	10.7	10.7	10.7	DX1-A18
	10.3	11.1	11.7	12.2	12.6	12.8	13.0	13.0	13.2	13.1	13.1	13.1	DX1-A20
	12.4	13.3	14.1	14.7	15.2	15.4	15.7	15.7	15.9	15.9	15.8	15.8	DX1-A22
	14.7	15.8	16.7	17.4	18.0	18.2	18.6	18.6	18.8	18.8	18.7	18.7	DX1-A24
	20.1	21.6	22.8	23.8	24.5	24.9	25.4	25.5	25.7	25.7	25.5	25.6	DX1-A28
	21.9	23.5	24.8	25.9	26.7	27.1	27.6	27.7	28.0	27.9	27.8	27.9	DX1-A30
23.6	25.4	26.8	27.9	28.8	29.2	29.8	29.9	30.2	30.1	30.0	30.1	DX1-A32	
35	3.8	4.2	4.6	4.8	5.0	5.2	5.2	5.3	5.4	5.4	5.4	5.4	DX1-A13
	6.1	6.8	7.3	7.7	8.0	8.3	8.4	8.5	8.7	8.7	8.6	8.6	DX1-A16
	7.4	8.2	8.8	9.3	9.7	10.0	10.2	10.4	10.5	10.5	10.4	10.5	DX1-A18
	9.0	10.0	10.8	11.4	11.9	12.3	12.5	12.7	12.8	12.8	12.8	12.8	DX1-A20
	10.9	12.1	13.1	13.8	14.4	14.8	15.0	15.3	15.5	15.5	15.4	15.5	DX1-A22
	12.9	14.4	15.5	16.3	17.0	17.6	17.8	18.1	18.3	18.3	18.3	18.3	DX1-A24
	17.7	19.6	21.1	22.3	23.3	24.0	24.3	24.7	25.1	25.0	25.0	25.0	DX1-A28
	19.2	21.4	23.0	24.3	25.3	26.1	26.5	27.0	27.3	27.3	27.2	27.3	DX1-A30
20.7	23.0	24.8	26.2	27.3	28.2	28.6	29.1	29.4	29.4	29.3	29.4	DX1-A32	
30	3.1	3.7	4.1	4.4	4.7	4.8	5.0	5.1	5.2	5.2	5.2	5.2	DX1-A13
	5.0	5.9	6.6	7.1	7.5	7.8	8.0	8.2	8.3	8.3	8.4	8.4	DX1-A16
	6.0	7.2	8.0	8.6	9.1	9.4	9.7	9.9	10.1	10.1	10.2	10.1	DX1-A18
	7.4	8.8	9.8	10.6	11.2	11.5	11.9	12.1	12.3	12.4	12.5	12.4	DX1-A20
	8.9	10.6	11.8	12.7	13.5	13.9	14.3	14.6	14.9	14.9	15.0	15.0	DX1-A22
	10.5	12.6	14.0	15.1	15.9	16.4	16.9	17.3	17.6	17.7	17.8	17.7	DX1-A24
	14.4	17.2	19.1	20.6	21.8	22.5	23.2	23.7	24.1	24.1	24.3	24.2	DX1-A28
	15.7	18.7	20.8	22.5	23.7	24.5	25.2	25.8	26.2	26.3	26.5	26.4	DX1-A30
16.9	20.2	22.5	24.2	25.6	26.4	27.2	27.8	28.3	28.4	28.6	28.4	DX1-A32	



DX1 Electronic Expansion Valve

Cooling Controls

D A T A S H E E T

Condensing Temperature (°C)	R22			Extended Capacity (kW)									Valve Model
				Evaporating Temperature (°C)									
	15	10	5	0	-5	-10	-15	-20	-25	-30	-35	-40	
25	2.1	2.9	3.5	4.0	4.3	4.5	4.7	4.9	4.9	5.0	5.0	5.0	DX1-A13
	3.3	4.7	5.7	6.4	6.9	7.3	7.6	7.8	7.9	8.0	8.1	8.1	DX1-A16
	4.1	5.7	6.9	7.7	8.3	8.8	9.2	9.4	9.5	9.7	9.8	9.8	DX1-A18
	5.0	7.0	8.4	9.4	10.2	10.8	11.2	11.5	11.7	11.9	12.0	12.0	DX1-A20
	6.0	8.4	10.2	11.4	12.3	13.0	13.5	13.9	14.1	14.3	14.5	14.4	DX1-A22
	7.1	10.0	12.0	13.5	14.5	15.4	16.0	16.5	16.7	16.9	17.1	17.1	DX1-A24
	9.7	13.6	16.5	18.4	19.9	21.0	21.9	22.5	22.8	23.2	23.4	23.3	DX1-A28
	10.5	14.9	17.9	20.0	21.6	22.9	23.8	24.5	24.8	25.2	25.5	25.4	DX1-A30
11.4	16.0	19.3	21.6	23.3	24.7	25.7	26.5	26.8	27.2	27.5	27.4	DX1-A32	
20	1.9	2.8	3.3	3.8	4.1	4.3	4.5	4.6	4.7	4.8	4.8	4.8	DX1-A13
	3.0	4.4	5.4	6.1	6.6	7.0	7.2	7.4	7.5	7.7	7.7	7.7	DX1-A16
	3.6	5.4	6.5	7.4	8.0	8.4	8.8	8.9	9.1	9.3	9.4	9.4	DX1-A18
	4.5	6.6	7.9	9.0	9.8	10.3	10.7	10.9	11.2	11.4	11.5	11.5	DX1-A20
	5.4	7.9	9.6	10.9	11.8	12.4	13.0	13.2	13.5	13.7	13.8	13.8	DX1-A22
	6.4	9.4	11.3	12.9	13.9	14.7	15.3	15.6	16.0	16.2	16.4	16.4	DX1-A24
	8.7	12.8	15.5	17.6	19.0	20.1	21.0	21.4	21.8	22.2	22.4	22.4	DX1-A28
	9.5	14.0	16.9	19.2	20.7	21.9	22.8	23.3	23.8	24.2	24.4	24.4	DX1-A30
10.2	15.1	18.2	20.7	22.4	23.7	24.6	25.1	25.7	26.0	26.3	26.3	DX1-A32	
15	1.6	2.6	3.1	3.6	3.9	4.1	4.3	4.4	4.5	4.6	4.6	4.6	DX1-A13
	2.6	4.1	5.1	5.7	6.2	6.6	6.8	7.0	7.2	7.3	7.3	7.3	DX1-A16
	3.2	5.0	6.1	6.9	7.5	8.0	8.3	8.5	8.7	8.8	8.8	8.8	DX1-A18
	3.9	6.1	7.5	8.5	9.2	9.7	10.1	10.4	10.7	10.8	10.8	10.8	DX1-A20
	4.7	7.4	9.0	10.2	11.1	11.7	12.2	12.6	12.9	13.1	13.1	13.1	DX1-A22
	5.5	8.7	10.7	12.1	13.1	13.9	14.5	14.9	15.2	15.5	15.5	15.5	DX1-A24
	7.5	11.9	14.6	16.5	17.9	19.0	19.8	20.4	20.8	21.1	21.1	21.1	DX1-A28
	8.2	13.0	15.9	18.0	19.5	20.7	21.6	22.2	22.7	23.0	23.0	23.0	DX1-A30
8.9	14.0	17.2	19.4	21.1	22.3	23.2	23.9	24.5	24.8	24.8	24.8	DX1-A32	
10	1.3	2.3	2.9	3.4	3.7	3.9	4.0	4.2	4.3	4.3	4.3	4.3	DX1-A13
	2.1	3.7	4.7	5.4	5.9	6.2	6.5	6.7	6.8	6.8	6.8	6.8	DX1-A16
	2.5	4.5	5.6	6.5	7.1	7.5	7.9	8.1	8.3	8.3	8.3	8.3	DX1-A18
	3.1	5.5	6.9	8.0	8.7	9.2	9.6	9.9	10.1	10.1	10.1	10.1	DX1-A20
	3.7	6.6	8.3	9.6	10.5	11.1	11.6	11.9	12.2	12.2	12.2	12.2	DX1-A22
	4.4	7.9	9.9	11.4	12.4	13.2	13.7	14.1	14.4	14.4	14.4	14.4	DX1-A24
	6.0	10.7	13.5	15.6	17.0	18.0	18.8	19.3	19.7	19.7	19.7	19.7	DX1-A28
	6.5	11.7	14.7	17.0	18.5	19.6	20.4	21.1	21.5	21.5	21.5	21.5	DX1-A30
7.0	12.6	15.8	18.3	19.9	21.1	22.0	22.7	23.2	23.2	23.2	23.2	DX1-A32	



D A T A S H E E T

Condensing Temperature (°C)	R134a			Extended Capacity (kW)									Valve Model
				Evaporating Temperature (°C)									
	15	10	5	0	-5	-10	-15	-20	-25	-30	-35	-40	
65	4.1	4.1	4.1	4.1	4.0	3.9	3.9	3.8	3.7	3.6			DX1-A13
	6.7	6.7	6.7	6.7	6.6	6.4	6.3	6.2	6.0	5.8			DX1-A16
	8.1	8.1	8.1	8.1	7.9	7.8	7.7	7.5	7.3	7.0			DX1-A18
	9.8	9.8	9.8	9.7	9.6	9.4	9.3	9.0	8.8	8.5			DX1-A20
	11.8	11.8	11.8	11.7	11.6	11.4	11.1	10.9	10.6	10.3			DX1-A22
	14.1	14.2	14.1	14.0	13.8	13.6	13.3	13.0	12.7	12.3			DX1-A24
	19.3	19.3	19.2	19.1	18.8	18.5	18.1	17.7	17.2	16.7			DX1-A28
	21.1	21.1	21.0	20.9	20.6	20.2	19.8	19.3	18.9	18.3			DX1-A30
	22.7	22.7	22.6	22.5	22.1	21.8	21.4	20.8	20.3	19.7			DX1-A32
60	4.1	4.1	4.1	4.1	4.1	4.0	4.0	3.9	3.8	3.7	3.6	3.5	DX1-A13
	6.7	6.7	6.8	6.7	6.7	6.6	6.5	6.4	6.2	6.1	6.0	5.8	DX1-A16
	8.1	8.1	8.2	8.1	8.1	8.0	7.9	7.7	7.5	7.3	7.2	7.0	DX1-A18
	9.8	9.8	9.9	9.9	9.8	9.7	9.5	9.3	9.1	8.9	8.7	8.4	DX1-A20
	11.8	11.9	11.9	11.9	11.8	11.6	11.5	11.2	11.0	10.7	10.5	10.2	DX1-A22
	14.1	14.2	14.3	14.2	14.1	13.9	13.7	13.4	13.1	12.8	12.5	12.1	DX1-A24
	19.2	19.3	19.4	19.3	19.1	18.9	18.7	18.3	17.9	17.4	17.1	16.5	DX1-A28
	21.0	21.1	21.2	21.1	20.9	20.7	20.4	20.0	19.6	19.0	18.7	18.1	DX1-A30
	22.6	22.7	22.8	22.7	22.5	22.3	22.0	21.5	21.1	20.5	20.1	19.5	DX1-A32
55	4.0	4.1	4.1	4.1	4.1	4.1	4.0	4.0	3.9	3.8	3.7	3.6	DX1-A13
	6.5	6.7	6.7	6.7	6.7	6.7	6.6	6.5	6.4	6.2	6.1	6.0	DX1-A16
	7.9	8.1	8.2	8.1	8.1	8.1	8.0	7.9	7.7	7.5	7.4	7.2	DX1-A18
	9.5	9.8	9.9	9.8	9.8	9.8	9.7	9.5	9.3	9.1	9.0	8.7	DX1-A20
	11.5	11.8	11.9	11.8	11.8	11.8	11.6	11.5	11.2	10.9	10.8	10.5	DX1-A22
	13.7	14.1	14.2	14.2	14.2	14.1	13.9	13.7	13.4	13.1	12.9	12.5	DX1-A24
	18.7	19.2	19.3	19.3	19.3	19.2	19.0	18.7	18.2	17.8	17.5	17.1	DX1-A28
	20.4	21.0	21.2	21.1	21.1	21.0	20.7	20.4	19.9	19.5	19.2	18.7	DX1-A30
	22.0	22.6	22.8	22.7	22.7	22.6	22.3	22.0	21.5	20.9	20.7	20.1	DX1-A32
50	3.8	3.9	4.0	4.1	4.1	4.1	4.1	4.0	3.9	3.9	3.8	3.7	DX1-A13
	6.2	6.4	6.6	6.7	6.7	6.7	6.6	6.5	6.4	6.3	6.2	6.1	DX1-A16
	7.5	7.8	8.0	8.1	8.1	8.1	8.0	7.9	7.8	7.6	7.5	7.3	DX1-A18
	9.1	9.4	9.7	9.7	9.8	9.7	9.7	9.6	9.4	9.2	9.1	8.9	DX1-A20
	11.0	11.4	11.6	11.7	11.8	11.7	11.7	11.5	11.3	11.1	10.9	10.7	DX1-A22
	13.1	13.6	13.9	14.0	14.1	14.0	14.0	13.7	13.5	13.3	13.1	12.8	DX1-A24
	17.9	18.5	18.9	19.1	19.1	19.1	19.0	18.7	18.4	18.1	17.8	17.4	DX1-A28
	19.5	20.2	20.7	20.9	20.9	20.9	20.8	20.5	20.1	19.7	19.5	19.0	DX1-A30
	21.0	21.8	22.3	22.5	22.5	22.5	22.4	22.0	21.6	21.2	21.0	20.5	DX1-A32



DX1 Electronic Expansion Valve

Cooling Controls

D A T A S H E E T

Condensing Temperature (°C)	R134a			Extended Capacity (kW)									Valve Model
				Evaporating Temperature (°C)									
	15	10	5	0	-5	-10	-15	-20	-25	-30	-35	-40	
45	3.6	3.8	3.9	4.0	4.0	4.0	4.0	4.0	3.9	3.9	3.8	3.7	DX1-A13
	5.9	6.2	6.3	6.5	6.5	6.6	6.5	6.5	6.4	6.3	6.2	6.1	DX1-A16
	7.1	7.5	7.6	7.8	7.9	7.9	7.9	7.9	7.7	7.6	7.5	7.4	DX1-A18
	8.6	9.0	9.2	9.5	9.5	9.6	9.6	9.5	9.3	9.2	9.1	8.9	DX1-A20
	10.4	10.9	11.1	11.4	11.5	11.6	11.5	11.5	11.3	11.1	11.0	10.8	DX1-A22
	12.4	13.0	13.3	13.6	13.7	13.8	13.8	13.7	13.4	13.3	13.1	12.9	DX1-A24
	16.9	17.7	18.1	18.5	18.6	18.8	18.8	18.6	18.3	18.1	17.9	17.5	DX1-A28
	18.4	19.3	19.8	20.3	20.4	20.6	20.5	20.4	20.0	19.8	19.5	19.1	DX1-A30
19.8	20.8	21.3	21.8	21.9	22.2	22.1	21.9	21.6	21.3	21.0	20.6	DX1-A32	
40	3.3	3.5	3.7	3.8	3.9	3.9	3.9	3.9	3.9	3.8	3.8	3.7	DX1-A13
	5.3	5.7	6.0	6.2	6.3	6.3	6.4	6.4	6.3	6.2	6.2	6.1	DX1-A16
	6.4	6.9	7.2	7.5	7.6	7.7	7.7	7.7	7.6	7.5	7.5	7.3	DX1-A18
	7.8	8.3	8.7	9.0	9.2	9.3	9.4	9.3	9.2	9.1	9.0	8.9	DX1-A20
	9.4	10.0	10.5	10.9	11.1	11.2	11.3	11.2	11.1	11.0	10.9	10.7	DX1-A22
	11.2	12.0	12.6	13.0	13.3	13.3	13.5	13.4	13.3	13.1	13.0	12.8	DX1-A24
	15.2	16.3	17.1	17.7	18.1	18.2	18.3	18.2	18.1	17.9	17.7	17.4	DX1-A28
	16.7	17.9	18.7	19.3	19.8	19.9	20.1	20.0	19.8	19.6	19.4	19.0	DX1-A30
17.9	19.2	20.1	20.8	21.3	21.4	21.6	21.5	21.3	21.1	20.9	20.5	DX1-A32	
35	2.8	3.1	3.4	3.5	3.6	3.7	3.8	3.8	3.8	3.7	3.7	3.7	DX1-A13
	4.5	5.1	5.5	5.8	6.0	6.1	6.2	6.2	6.2	6.1	6.1	6.0	DX1-A16
	5.5	6.2	6.6	7.0	7.2	7.4	7.5	7.4	7.5	7.4	7.3	7.2	DX1-A18
	6.6	7.5	8.0	8.4	8.7	8.9	9.0	9.0	9.0	8.9	8.9	8.7	DX1-A20
	8.0	9.0	9.7	10.1	10.5	10.7	10.9	10.8	10.9	10.8	10.7	10.5	DX1-A22
	9.6	10.8	11.6	12.1	12.5	12.8	13.0	13.0	13.0	12.9	12.8	12.6	DX1-A24
	13.0	14.7	15.7	16.5	17.1	17.4	17.7	17.6	17.7	17.5	17.4	17.1	DX1-A28
	14.2	16.0	17.2	18.1	18.7	19.1	19.3	19.3	19.3	19.2	19.0	18.7	DX1-A30
	15.3	17.3	18.5	19.4	20.1	20.5	20.8	20.8	20.8	20.6	20.4	20.2	DX1-A32
30	2.1	2.6	3.0	3.2	3.4	3.5	3.6	3.6	3.6	3.6	3.6	3.6	DX1-A13
	3.5	4.3	4.8	5.2	5.5	5.7	5.8	5.9	5.9	5.9	5.9	5.8	DX1-A16
	4.2	5.2	5.9	6.3	6.7	6.9	7.1	7.1	7.1	7.1	7.1	7.0	DX1-A18
	5.1	6.3	7.1	7.6	8.1	8.4	8.5	8.6	8.6	8.6	8.6	8.5	DX1-A20
	6.2	7.6	8.5	9.2	9.7	10.1	10.3	10.3	10.4	10.4	10.3	10.2	DX1-A22
	7.4	9.1	10.2	11.0	11.6	12.0	12.3	12.3	12.4	12.4	12.4	12.2	DX1-A24
	10.0	12.4	13.9	14.9	15.9	16.4	16.7	16.8	16.9	16.9	16.8	16.7	DX1-A28
	11.0	13.5	15.2	16.3	17.3	17.9	18.3	18.4	18.5	18.5	18.4	18.2	DX1-A30
	11.8	14.6	16.3	17.6	18.7	19.3	19.7	19.8	19.9	19.9	19.8	19.6	DX1-A32



DX1 Electronic Expansion Valve

Cooling Controls

D A T A S H E E T

Condensing Temperature (°C)	R134a			Extended Capacity (kW)									Valve Model
				Evaporating Temperature (°C)									
	15	10	5	0	-5	-10	-15	-20	-25	-30	-35	-40	
25	1.0	1.9	2.5	2.8	3.0	3.2	3.3	3.4	3.4	3.4	3.4	3.4	DX1-A13
	1.7	3.2	4.0	4.5	5.0	5.2	5.4	5.5	5.6	5.6	5.6	5.6	DX1-A16
	2.0	3.8	4.8	5.5	6.0	6.3	6.5	6.7	6.8	6.8	6.8	6.7	DX1-A18
	2.5	4.6	5.9	6.6	7.3	7.6	7.9	8.1	8.2	8.2	8.2	8.2	DX1-A20
	3.0	5.6	7.1	8.0	8.7	9.2	9.5	9.7	9.8	9.9	9.9	9.8	DX1-A22
	3.5	6.7	8.4	9.6	10.4	11.0	11.4	11.6	11.8	11.8	11.8	11.7	DX1-A24
	4.8	9.1	11.5	13.0	14.2	15.0	15.5	15.8	16.0	16.1	16.1	16.0	DX1-A28
	5.3	9.9	12.6	14.2	15.6	16.4	16.9	17.3	17.5	17.6	17.6	17.5	DX1-A30
5.7	10.7	13.5	15.3	16.7	17.6	18.2	18.6	18.8	19.0	18.9	18.8	DX1-A32	
20	0.5	1.7	2.2	2.6	2.8	3.0	3.1	3.2	3.2	3.2	3.2	3.2	DX1-A13
	0.9	2.8	3.7	4.2	4.6	4.9	5.1	5.2	5.2	5.3	5.3	5.3	DX1-A16
	1.1	3.4	4.4	5.1	5.5	5.9	6.1	6.3	6.3	6.4	6.4	6.4	DX1-A18
	1.3	4.1	5.4	6.2	6.7	7.1	7.4	7.6	7.7	7.7	7.7	7.7	DX1-A20
	1.6	4.9	6.5	7.4	8.1	8.6	8.9	9.1	9.2	9.3	9.3	9.3	DX1-A22
	1.9	5.8	7.7	8.9	9.6	10.3	10.6	10.9	11.0	11.1	11.1	11.1	DX1-A24
	2.5	7.9	10.5	12.1	13.1	14.0	14.5	14.8	15.0	15.1	15.1	15.1	DX1-A28
	2.8	8.7	11.5	13.2	14.4	15.3	15.9	16.2	16.4	16.6	16.6	16.5	DX1-A30
3.0	9.4	12.4	14.2	15.4	16.5	17.1	17.4	17.7	17.8	17.8	17.8	DX1-A32	
15	1.4	2.0	2.3	2.6	2.8	2.9	2.9	2.9	3.0	3.0	3.0	3.0	DX1-A13
	2.3	3.2	3.8	4.2	4.5	4.7	4.8	4.8	4.9	4.9	4.9	4.9	DX1-A16
	2.7	3.9	4.6	5.1	5.5	5.7	5.8	5.8	5.9	5.9	5.9	5.9	DX1-A18
	3.3	4.7	5.6	6.2	6.6	6.9	7.0	7.0	7.1	7.1	7.1	7.1	DX1-A20
	4.0	5.7	6.8	7.4	8.0	8.3	8.4	8.4	8.6	8.6	8.6	8.6	DX1-A22
	4.8	6.8	8.1	8.9	9.5	9.9	10.1	10.3	10.3	10.3	10.3	10.3	DX1-A24
	6.5	9.2	11.0	12.1	13.0	13.4	13.7	14.0	14.0	14.1	14.1	14.1	DX1-A28
	7.1	10.1	12.0	13.2	14.2	14.7	15.0	15.3	15.3	15.4	15.4	15.4	DX1-A30
7.6	10.9	12.9	14.2	15.2	15.8	16.2	16.4	16.4	16.5	16.5	16.5	DX1-A32	
10	1.0	1.7	2.1	2.3	2.5	2.6	2.7	2.7	2.7	2.7	2.7	2.7	DX1-A13
	1.6	2.7	3.4	3.8	4.1	4.2	4.4	4.4	4.4	4.4	4.4	4.4	DX1-A16
	1.9	3.3	4.1	4.6	4.9	5.1	5.3	5.4	5.4	5.4	5.4	5.4	DX1-A18
	2.3	4.0	4.9	5.6	5.9	6.2	6.4	6.5	6.5	6.5	6.5	6.5	DX1-A20
	2.8	4.8	5.9	6.7	7.2	7.5	7.7	7.8	7.8	7.8	7.8	7.8	DX1-A22
	3.4	5.7	7.1	8.0	8.5	8.9	9.2	9.4	9.4	9.4	9.4	9.4	DX1-A24
	4.6	7.8	9.6	10.9	11.6	12.1	12.5	12.7	12.7	12.7	12.7	12.7	DX1-A28
	5.0	8.5	10.5	11.9	12.7	13.3	13.7	13.9	13.9	13.9	13.9	13.9	DX1-A30
5.4	9.2	11.3	12.8	13.7	14.3	14.8	15.0	15.0	15.0	15.0	15.0	DX1-A32	



DX1 Electronic Expansion Valve

Cooling Controls

D A T A S H E E T

Condensing Temperature (°C)	R404A			Extended Capacity (kW)									Valve Model
				Evaporating Temperature (°C)									
	15	10	5	0	-5	-10	-15	-20	-25	-30	-35	-40	
60	3.0	3.0	3.0	3.0	2.9	2.8	2.8	2.7	2.6	2.5	2.3	2.2	DX1-A13
	4.8	4.9	4.9	4.8	4.7	4.6	4.5	4.3	4.2	4.0	3.8	3.6	DX1-A16
	5.9	5.9	5.9	5.8	5.7	5.6	5.5	5.3	5.1	4.8	4.6	4.4	DX1-A18
	7.2	7.2	7.2	7.1	7.0	6.8	6.6	6.4	6.2	5.9	5.6	5.3	DX1-A20
	8.6	8.7	8.7	8.6	8.4	8.2	8.0	7.7	7.4	7.1	6.8	6.4	DX1-A22
	10.3	10.3	10.3	10.2	10.0	9.8	9.5	9.2	8.8	8.4	8.0	7.6	DX1-A24
	14.0	14.0	14.0	13.8	13.6	13.3	12.9	12.5	12.0	11.5	10.9	10.3	DX1-A28
	15.3	15.3	15.3	15.1	14.9	14.5	14.1	13.6	13.1	12.5	11.9	11.3	DX1-A30
	16.4	16.5	16.4	16.2	16.0	15.6	15.2	14.7	14.1	13.5	12.8	12.1	DX1-A32
55	3.2	3.2	3.3	3.2	3.2	3.2	3.1	3.0	2.9	2.8	2.7	2.6	DX1-A13
	5.2	5.3	5.3	5.3	5.2	5.2	5.0	4.9	4.8	4.6	4.4	4.2	DX1-A16
	6.3	6.4	6.4	6.4	6.3	6.3	6.1	6.0	5.8	5.6	5.4	5.1	DX1-A18
	7.6	7.8	7.8	7.8	7.7	7.6	7.4	7.3	7.1	6.8	6.5	6.3	DX1-A20
	9.2	9.4	9.4	9.4	9.3	9.2	9.0	8.8	8.5	8.2	7.9	7.5	DX1-A22
	10.9	11.1	11.2	11.1	11.0	10.9	10.6	10.4	10.1	9.7	9.3	8.9	DX1-A24
	14.9	15.1	15.2	15.2	15.0	14.9	14.5	14.2	13.7	13.3	12.7	12.2	DX1-A28
	16.2	16.5	16.6	16.6	16.4	16.2	15.8	15.5	15.0	14.5	13.9	13.3	DX1-A30
	17.4	17.8	17.9	17.8	17.6	17.4	17.0	16.6	16.1	15.6	14.9	14.3	DX1-A32
50	3.3	3.4	3.4	3.4	3.4	3.4	3.3	3.3	3.2	3.1	3.0	2.9	DX1-A13
	5.3	5.4	5.5	5.6	5.5	5.5	5.4	5.3	5.2	5.1	4.9	4.7	DX1-A16
	6.5	6.6	6.7	6.8	6.7	6.7	6.6	6.5	6.3	6.2	6.0	5.8	DX1-A18
	7.9	8.1	8.2	8.2	8.2	8.2	8.0	7.9	7.7	7.5	7.3	7.0	DX1-A20
	9.5	9.7	9.9	9.9	9.9	9.8	9.7	9.5	9.3	9.0	8.7	8.5	DX1-A22
	11.2	11.5	11.7	11.7	11.7	11.7	11.5	11.3	11.0	10.7	10.4	10.0	DX1-A24
	15.3	15.7	16.0	16.0	16.0	15.9	15.6	15.4	15.0	14.6	14.1	13.7	DX1-A28
	16.7	17.1	17.4	17.5	17.4	17.3	17.1	16.8	16.4	15.9	15.4	14.9	DX1-A30
	18.0	18.4	18.7	18.8	18.7	18.6	18.3	18.0	17.6	17.1	16.6	16.0	DX1-A32
45	3.2	3.4	3.5	3.5	3.5	3.5	3.5	3.5	3.4	3.3	3.2	3.1	DX1-A13
	5.2	5.5	5.6	5.7	5.7	5.8	5.7	5.6	5.5	5.4	5.3	5.1	DX1-A16
	6.4	6.7	6.8	6.9	7.0	7.0	6.9	6.9	6.7	6.6	6.4	6.2	DX1-A18
	7.8	8.1	8.3	8.4	8.5	8.5	8.5	8.4	8.2	8.1	7.8	7.6	DX1-A20
	9.4	9.8	10.0	10.2	10.2	10.3	10.2	10.1	9.8	9.7	9.4	9.1	DX1-A22
	11.1	11.6	11.9	12.0	12.1	12.2	12.1	11.9	11.7	11.5	11.1	10.8	DX1-A24
	15.1	15.8	16.2	16.4	16.5	16.6	16.4	16.3	15.9	15.7	15.2	14.7	DX1-A28
	16.5	17.3	17.7	17.9	18.1	18.1	18.0	17.8	17.4	17.1	16.6	16.1	DX1-A30
	17.8	18.6	19.0	19.3	19.4	19.5	19.3	19.1	18.7	18.4	17.8	17.3	DX1-A32



DX1 Electronic Expansion Valve

Cooling Controls

D A T A S H E E T

Condensing Temperature (°C)	R404A			Extended Capacity (kW)									Valve Model
				Evaporating Temperature (°C)									
	15	10	5	0	-5	-10	-15	-20	-25	-30	-35	-40	
40	3.1	3.3	3.4	3.5	3.6	3.6	3.6	3.6	3.5	3.5	3.4	3.3	DX1-A13
	5.0	5.4	5.6	5.7	5.8	5.9	5.9	5.8	5.8	5.7	5.6	5.4	DX1-A16
	6.1	6.5	6.8	6.9	7.1	7.1	7.1	7.1	7.0	6.9	6.8	6.6	DX1-A18
	7.5	7.9	8.3	8.5	8.6	8.7	8.7	8.7	8.5	8.4	8.2	8.0	DX1-A20
	9.0	9.6	10.0	10.2	10.4	10.4	10.5	10.4	10.3	10.1	9.9	9.6	DX1-A22
	10.7	11.3	11.8	12.1	12.3	12.4	12.4	12.4	12.2	12.0	11.8	11.4	DX1-A24
	14.5	15.4	16.1	16.4	16.8	16.9	16.9	16.8	16.6	16.3	16.0	15.6	DX1-A28
	15.9	16.9	17.6	18.0	18.4	18.5	18.5	18.4	18.1	17.8	17.5	17.0	DX1-A30
17.1	18.1	18.9	19.3	19.7	19.8	19.8	19.8	19.5	19.1	18.8	18.3	DX1-A32	
35	2.9	3.1	3.3	3.5	3.6	3.6	3.6	3.6	3.6	3.6	3.5	3.5	DX1-A13
	4.6	5.1	5.4	5.6	5.8	5.9	5.9	5.9	5.8	5.8	5.7	5.6	DX1-A16
	5.6	6.2	6.5	6.8	7.0	7.1	7.2	7.2	7.1	7.1	7.0	6.8	DX1-A18
	6.9	7.5	8.0	8.3	8.5	8.7	8.7	8.7	8.7	8.6	8.5	8.3	DX1-A20
	8.3	9.0	9.6	10.0	10.3	10.5	10.5	10.5	10.4	10.3	10.2	10.0	DX1-A22
	9.8	10.7	11.4	11.8	12.2	12.4	12.5	12.5	12.4	12.3	12.1	11.9	DX1-A24
	13.4	14.6	15.5	16.1	16.6	16.9	17.0	17.0	16.9	16.7	16.5	16.2	DX1-A28
	14.6	15.9	16.9	17.6	18.1	18.5	18.6	18.5	18.4	18.3	18.1	17.7	DX1-A30
15.7	17.1	18.2	18.9	19.5	19.9	19.9	19.9	19.8	19.6	19.4	19.0	DX1-A32	
30	2.5	2.8	3.1	3.3	3.5	3.6	3.6	3.6	3.6	3.6	3.6	3.5	DX1-A13
	4.0	4.6	5.1	5.4	5.6	5.8	5.9	5.9	5.9	5.9	5.8	5.7	DX1-A16
	4.9	5.6	6.2	6.6	6.8	7.0	7.1	7.1	7.2	7.1	7.1	7.0	DX1-A18
	6.0	6.8	7.5	8.0	8.3	8.5	8.7	8.7	8.8	8.7	8.6	8.5	DX1-A20
	7.2	8.2	9.1	9.6	10.0	10.3	10.5	10.5	10.5	10.5	10.3	10.2	DX1-A22
	8.5	9.7	10.8	11.4	11.9	12.2	12.4	12.4	12.5	12.4	12.3	12.1	DX1-A24
	11.6	13.3	14.6	15.5	16.2	16.6	16.9	16.9	17.0	16.9	16.7	16.5	DX1-A28
	12.6	14.5	16.0	17.0	17.7	18.2	18.5	18.5	18.6	18.5	18.3	18.0	DX1-A30
13.6	15.6	17.2	18.2	19.0	19.5	19.9	19.9	20.0	19.8	19.6	19.4	DX1-A32	
25	1.8	2.4	2.8	3.1	3.3	3.4	3.5	3.6	3.6	3.6	3.6	3.5	DX1-A13
	3.0	3.9	4.6	5.0	5.3	5.6	5.7	5.8	5.9	5.8	5.8	5.7	DX1-A16
	3.6	4.8	5.5	6.1	6.5	6.8	6.9	7.1	7.1	7.1	7.1	7.0	DX1-A18
	4.4	5.8	6.8	7.4	7.9	8.2	8.5	8.6	8.7	8.6	8.6	8.5	DX1-A20
	5.3	7.0	8.1	8.9	9.5	9.9	10.2	10.3	10.4	10.4	10.4	10.2	DX1-A22
	6.3	8.3	9.7	10.5	11.3	11.8	12.1	12.3	12.4	12.3	12.3	12.2	DX1-A24
	8.5	11.3	13.2	14.4	15.4	16.0	16.4	16.7	16.9	16.8	16.8	16.6	DX1-A28
	9.3	12.3	14.4	15.7	16.8	17.5	18.0	18.3	18.4	18.3	18.3	18.1	DX1-A30
10.0	13.2	15.4	16.8	18.1	18.8	19.3	19.6	19.8	19.7	19.7	19.4	DX1-A32	



D A T A S H E E T

Condensing Temperature (°C)	R404A			Extended Capacity (kW)									Valve Model
				Evaporating Temperature (°C)									
	15	10	5	0	-5	-10	-15	-20	-25	-30	-35	-40	
20		1.7	2.3	2.7	3.0	3.2	3.4	3.4	3.5	3.5	3.5	3.5	DX1-A13
		2.8	3.8	4.5	4.9	5.2	5.4	5.6	5.7	5.7	5.7	5.7	DX1-A16
		3.4	4.6	5.4	5.9	6.4	6.6	6.8	6.9	6.9	7.0	7.0	DX1-A18
		4.2	5.6	6.6	7.2	7.8	8.1	8.3	8.4	8.5	8.5	8.5	DX1-A20
		5.0	6.8	7.9	8.7	9.3	9.7	9.9	10.1	10.2	10.2	10.2	DX1-A22
		6.0	8.0	9.4	10.3	11.1	11.5	11.8	12.0	12.1	12.1	12.1	DX1-A24
		8.1	10.9	12.8	14.0	15.1	15.7	16.1	16.3	16.5	16.5	16.5	DX1-A28
		8.9	11.9	14.0	15.3	16.5	17.1	17.6	17.8	18.0	18.0	18.0	DX1-A30
	9.5	12.8	15.1	16.5	17.7	18.4	18.9	19.2	19.3	19.4	19.3	DX1-A32	
15		1.6	2.2	2.6	2.9	3.1	3.3	3.3	3.4	3.4	3.4	3.4	DX1-A13
		2.6	3.6	4.3	4.7	5.0	5.3	5.4	5.5	5.5	5.6	5.6	DX1-A16
		3.2	4.4	5.2	5.8	6.1	6.5	6.6	6.7	6.8	6.8	6.8	DX1-A18
		3.9	5.4	6.3	7.0	7.5	7.9	8.1	8.2	8.2	8.2	8.2	DX1-A20
		4.7	6.4	7.6	8.5	9.0	9.5	9.7	9.8	9.9	9.9	9.9	DX1-A22
		5.6	7.6	9.0	10.0	10.7	11.2	11.5	11.7	11.7	11.8	11.8	DX1-A24
		7.6	10.4	12.3	13.7	14.5	15.3	15.7	15.9	16.0	16.0	16.0	DX1-A28
		8.3	11.4	13.5	15.0	15.9	16.7	17.1	17.4	17.5	17.5	17.5	DX1-A30
	8.9	12.2	14.4	16.1	17.0	17.9	18.4	18.6	18.8	18.8	18.8	DX1-A32	
10		1.4	2.1	2.5	2.8	3.0	3.1	3.2	3.3	3.3	3.3	3.3	DX1-A13
		2.3	3.4	4.1	4.5	4.8	5.1	5.2	5.3	5.3	5.4	5.4	DX1-A16
		2.8	4.1	5.0	5.5	5.9	6.2	6.3	6.4	6.4	6.5	6.5	DX1-A18
		3.5	5.0	6.0	6.7	7.2	7.5	7.7	7.8	7.8	8.0	8.0	DX1-A20
		4.2	6.1	7.3	8.1	8.6	9.1	9.3	9.4	9.4	9.6	9.6	DX1-A22
		4.9	7.2	8.6	9.6	10.2	10.8	11.0	11.2	11.2	11.4	11.4	DX1-A24
		6.7	9.8	11.7	13.1	13.9	14.7	15.0	15.2	15.2	15.5	15.5	DX1-A28
		7.4	10.7	12.8	14.3	15.2	16.0	16.4	16.6	16.6	16.9	16.9	DX1-A30
	7.9	11.5	13.8	15.4	16.3	17.2	17.6	17.9	17.9	18.2	18.2	DX1-A32	



DX1 Electronic Expansion Valve

Cooling Controls

D A T A S H E E T

Condensing Temperature (°C)	R32			Extended Capacity (kW)									Valve Model
				Evaporating Temperature (°C)									
	15	10	5	0	-5	-10	-15	-20	-25	-30	-35	-40	
65	9.8	10.1	10.3	10.4	10.6	10.7	10.7	10.7	10.7	10.7	10.6	10.5	DX1-A13
	15.8	16.2	16.6	16.8	17.0	17.2	17.3	17.3	17.3	17.2	17.1	17.0	DX1-A16
	19.2	19.7	20.1	20.4	20.7	20.8	20.9	21.0	21.0	20.9	20.8	20.6	DX1-A18
	23.4	24.0	24.5	24.9	25.2	25.4	25.5	25.6	25.6	25.5	25.3	25.1	DX1-A20
	28.1	28.9	29.5	30.0	30.3	30.6	30.7	30.8	30.7	30.6	30.5	30.2	DX1-A22
	33.5	34.4	35.1	35.7	36.1	36.4	36.6	36.7	36.6	36.5	36.3	36.0	DX1-A24
	45.7	46.9	48.0	48.7	49.3	49.7	49.9	50.0	50.0	49.8	49.5	49.1	DX1-A28
	49.8	51.2	52.3	53.1	53.7	54.2	54.4	54.5	54.5	54.3	54.0	53.6	DX1-A30
	53.6	55.1	56.2	57.2	57.8	58.3	58.6	58.7	58.6	58.4	58.1	57.6	DX1-A32
60	9.7	10.0	10.3	10.5	10.6	10.8	10.8	10.9	10.9	10.9	10.8	10.8	DX1-A13
	15.6	16.2	16.6	16.9	17.2	17.3	17.5	17.5	17.5	17.5	17.5	17.3	DX1-A16
	19.0	19.6	20.1	20.5	20.8	21.0	21.2	21.3	21.3	21.3	21.2	21.0	DX1-A18
	23.2	23.9	24.5	25.0	25.4	25.7	25.8	25.9	26.0	25.9	25.8	25.7	DX1-A20
	27.9	28.8	29.5	30.1	30.5	30.9	31.1	31.2	31.2	31.2	31.1	30.9	DX1-A22
	33.2	34.3	35.1	35.8	36.4	36.8	37.0	37.2	37.2	37.1	37.0	36.8	DX1-A24
	45.3	46.8	48.0	48.9	49.6	50.2	50.5	50.7	50.8	50.7	50.5	50.2	DX1-A28
	49.3	51.0	52.3	53.3	54.1	54.7	55.1	55.3	55.3	55.2	55.0	54.7	DX1-A30
	53.1	54.8	56.3	57.4	58.2	58.9	59.3	59.5	59.5	59.5	59.2	58.9	DX1-A32
55	9.4	9.8	10.1	10.4	10.6	10.7	10.8	10.9	10.9	10.9	10.9	10.8	DX1-A13
	15.2	15.8	16.3	16.7	17.0	17.3	17.4	17.5	17.6	17.6	17.5	17.5	DX1-A16
	18.5	19.2	19.8	20.3	20.7	20.9	21.1	21.3	21.3	21.3	21.3	21.2	DX1-A18
	22.5	23.4	24.1	24.7	25.2	25.5	25.8	25.9	26.0	26.0	26.0	25.9	DX1-A20
	27.1	28.2	29.0	29.7	30.3	30.7	31.0	31.2	31.3	31.3	31.2	31.1	DX1-A22
	32.3	33.6	34.6	35.4	36.1	36.6	36.9	37.2	37.3	37.3	37.2	37.0	DX1-A24
	44.1	45.8	47.2	48.4	49.2	49.9	50.4	50.7	50.9	50.9	50.8	50.5	DX1-A28
	48.0	49.9	51.5	52.7	53.7	54.4	54.9	55.3	55.4	55.4	55.3	55.1	DX1-A30
	51.7	53.7	55.4	56.7	57.8	58.6	59.1	59.5	59.7	59.7	59.5	59.3	DX1-A32
50	9.0	9.5	9.8	10.1	10.3	10.5	10.7	10.7	10.8	10.8	10.8	10.8	DX1-A13
	14.6	15.3	15.8	16.3	16.7	17.0	17.2	17.3	17.4	17.5	17.5	17.4	DX1-A16
	17.7	18.5	19.2	19.8	20.2	20.6	20.8	21.0	21.1	21.2	21.2	21.1	DX1-A18
	21.5	22.6	23.4	24.1	24.7	25.1	25.4	25.7	25.8	25.8	25.8	25.8	DX1-A20
	25.9	27.2	28.2	29.0	29.7	30.2	30.6	30.9	31.0	31.1	31.1	31.0	DX1-A22
	30.9	32.4	33.6	34.6	35.4	36.0	36.4	36.7	36.9	37.0	37.0	36.9	DX1-A24
	42.1	44.2	45.8	47.2	48.3	49.1	49.7	50.1	50.4	50.5	50.5	50.4	DX1-A28
	45.9	48.1	49.9	51.4	52.6	53.5	54.2	54.7	54.9	55.1	55.0	54.9	DX1-A30
	49.4	51.8	53.8	55.3	56.6	57.6	58.3	58.8	59.1	59.3	59.2	59.1	DX1-A32



DX1 Electronic Expansion Valve

Cooling Controls

D A T A S H E E T

Condensing Temperature (°C)	R32			Extended Capacity (kW)									Valve Model
				Evaporating Temperature (°C)									
	15	10	5	0	-5	-10	-15	-20	-25	-30	-35	-40	
45	8.5	9.0	9.4	9.7	10.0	10.2	10.4	10.5	10.6	10.7	10.7	10.7	DX1-A13
	13.7	14.5	15.2	15.7	16.2	16.5	16.8	17.0	17.1	17.2	17.2	17.2	DX1-A16
	16.6	17.6	18.4	19.1	19.6	20.0	20.4	20.6	20.8	20.8	20.9	20.9	DX1-A18
	20.2	21.4	22.5	23.3	23.9	24.4	24.8	25.1	25.3	25.4	25.5	25.4	DX1-A20
	24.3	25.8	27.0	28.0	28.8	29.4	29.9	30.2	30.5	30.6	30.6	30.6	DX1-A22
	29.0	30.7	32.2	33.3	34.3	35.0	35.6	36.0	36.3	36.4	36.5	36.4	DX1-A24
	39.5	41.9	43.9	45.5	46.8	47.8	48.6	49.1	49.5	49.7	49.8	49.7	DX1-A28
	43.1	45.7	47.8	49.6	51.0	52.1	52.9	53.5	54.0	54.2	54.3	54.2	DX1-A30
	46.4	49.2	51.5	53.4	54.9	56.0	57.0	57.6	58.1	58.3	58.4	58.3	DX1-A32
40	7.8	8.4	8.9	9.3	9.6	9.9	10.1	10.2	10.3	10.4	10.4	10.4	DX1-A13
	12.5	13.5	14.3	15.0	15.5	15.9	16.2	16.5	16.7	16.8	16.8	16.8	DX1-A16
	15.2	16.4	17.4	18.2	18.8	19.3	19.7	20.0	20.2	20.4	20.4	20.4	DX1-A18
	18.5	20.0	21.2	22.2	22.9	23.6	24.0	24.4	24.7	24.8	24.9	24.9	DX1-A20
	22.3	24.1	25.5	26.6	27.6	28.3	28.9	29.3	29.7	29.9	30.0	30.0	DX1-A22
	26.6	28.7	30.4	31.7	32.8	33.7	34.4	34.9	35.3	35.6	35.7	35.7	DX1-A24
	36.3	39.1	41.4	43.3	44.8	46.0	47.0	47.7	48.2	48.5	48.7	48.7	DX1-A28
	39.5	42.6	45.1	47.2	48.9	50.2	51.2	52.0	52.5	52.9	53.1	53.1	DX1-A30
	42.5	45.9	48.6	50.8	52.6	54.0	55.1	55.9	56.5	56.9	57.1	57.2	DX1-A32
35	6.9	7.6	8.2	8.7	9.1	9.4	9.6	9.8	10.0	10.1	10.1	10.2	DX1-A13
	11.1	12.3	13.3	14.0	14.7	15.2	15.6	15.9	16.1	16.2	16.3	16.4	DX1-A16
	13.5	14.9	16.1	17.0	17.8	18.4	18.9	19.3	19.5	19.7	19.8	19.9	DX1-A18
	16.5	18.2	19.6	20.8	21.7	22.5	23.0	23.5	23.8	24.0	24.2	24.3	DX1-A20
	19.8	21.9	23.6	25.0	26.1	27.0	27.7	28.2	28.6	28.9	29.1	29.2	DX1-A22
	23.6	26.1	28.1	29.8	31.1	32.2	33.0	33.6	34.1	34.4	34.6	34.7	DX1-A24
	32.2	35.6	38.4	40.6	42.4	43.9	45.0	45.9	46.6	47.0	47.3	47.4	DX1-A28
	35.1	38.8	41.9	44.3	46.3	47.8	49.1	50.0	50.7	51.2	51.5	51.7	DX1-A30
	37.7	41.8	45.0	47.7	49.8	51.5	52.8	53.8	54.6	55.1	55.5	55.6	DX1-A32
30	5.8	6.7	7.5	8.0	8.5	8.9	9.2	9.4	9.6	9.7	9.8	9.8	DX1-A13
	9.4	10.9	12.0	13.0	13.7	14.3	14.8	15.1	15.4	15.6	15.8	15.8	DX1-A16
	11.3	13.2	14.6	15.7	16.6	17.3	17.9	18.4	18.7	18.9	19.1	19.2	DX1-A18
	13.8	16.1	17.8	19.2	20.3	21.2	21.8	22.4	22.8	23.1	23.3	23.4	DX1-A20
	16.7	19.3	21.4	23.1	24.4	25.4	26.3	26.9	27.4	27.8	28.0	28.2	DX1-A22
	19.8	23.0	25.5	27.5	29.0	30.3	31.3	32.1	32.7	33.1	33.4	33.6	DX1-A24
	27.1	31.4	34.8	37.5	39.6	41.3	42.7	43.8	44.6	45.2	45.6	45.8	DX1-A28
	29.5	34.2	37.9	40.8	43.2	45.1	46.6	47.7	48.6	49.2	49.7	49.9	DX1-A30
	31.7	36.8	40.8	44.0	46.5	48.5	50.1	51.3	52.3	53.0	53.4	53.7	DX1-A32



DX1 Electronic Expansion Valve

Cooling Controls

D A T A S H E E T

Condensing Temperature (°C)	R32			Extended Capacity (kW)									Valve Model
				Evaporating Temperature (°C)									
	15	10	5	0	-5	-10	-15	-20	-25	-30	-35	-40	
25	4.3	5.6	6.5	7.2	7.8	8.2	8.6	8.9	9.1	9.2	9.3	9.4	DX1-A13
	7.0	9.0	10.5	11.7	12.6	13.3	13.8	14.3	14.6	14.9	15.1	15.2	DX1-A16
	8.5	11.0	12.8	14.2	15.2	16.1	16.8	17.3	17.7	18.1	18.3	18.4	DX1-A18
	10.4	13.4	15.6	17.3	18.6	19.6	20.5	21.1	21.6	22.0	22.3	22.5	DX1-A20
	12.5	16.1	18.7	20.8	22.4	23.6	24.6	25.4	26.0	26.5	26.8	27.0	DX1-A22
	14.8	19.2	22.3	24.7	26.6	28.1	29.3	30.3	31.0	31.5	31.9	32.2	DX1-A24
	20.3	26.2	30.5	33.7	36.3	38.4	40.0	41.3	42.3	43.1	43.6	43.9	DX1-A28
	22.1	28.5	33.2	36.8	39.6	41.9	43.6	45.0	46.1	46.9	47.5	47.9	DX1-A30
23.8	30.7	35.7	39.6	42.6	45.0	47.0	48.5	49.6	50.5	51.1	51.5	DX1-A32	
20	4.1	5.4	6.3	7.0	7.5	7.9	8.3	8.5	8.7	8.9	9.0	DX1-A13	
	6.6	8.7	10.1	11.2	12.1	12.8	13.3	13.7	14.1	14.3	14.4	DX1-A16	
	8.1	10.5	12.3	13.6	14.7	15.5	16.2	16.7	17.0	17.3	17.5	DX1-A18	
	9.8	12.8	15.0	16.6	17.9	18.9	19.7	20.3	20.8	21.1	21.4	DX1-A20	
	11.8	15.4	18.0	20.0	21.5	22.8	23.7	24.4	25.0	25.4	25.7	DX1-A22	
	14.1	18.4	21.5	23.8	25.7	27.1	28.2	29.1	29.8	30.3	30.6	DX1-A24	
	19.2	25.1	29.3	32.5	35.0	37.0	38.5	39.7	40.7	41.3	41.8	DX1-A28	
	20.9	27.4	31.9	35.4	38.2	40.3	42.0	43.3	44.3	45.0	45.6	DX1-A30	
22.5	29.4	34.4	38.1	41.1	43.4	45.2	46.6	47.7	48.5	49.0	DX1-A32		
15	3.9	5.1	6.0	6.7	7.2	7.6	7.9	8.1	8.3	8.5	DX1-A13		
	6.2	8.2	9.7	10.7	11.6	12.2	12.7	13.1	13.4	13.6	DX1-A16		
	7.5	10.0	11.7	13.0	14.1	14.8	15.5	15.9	16.3	16.5	DX1-A18		
	9.2	12.2	14.3	15.9	17.1	18.1	18.9	19.4	19.9	20.2	DX1-A20		
	11.1	14.7	17.2	19.1	20.6	21.8	22.7	23.4	23.9	24.3	DX1-A22		
	13.2	17.5	20.5	22.8	24.6	25.9	27.0	27.8	28.4	28.9	DX1-A24		
	18.0	23.9	28.0	31.1	33.5	35.4	36.9	38.0	38.8	39.4	DX1-A28		
	19.6	26.0	30.5	33.9	36.5	38.6	40.2	41.4	42.3	43.0	DX1-A30		
21.1	28.0	32.8	36.5	39.3	41.5	43.2	44.5	45.5	46.3	DX1-A32			
10	3.6	4.8	5.7	6.3	6.8	7.2	7.5	7.7	7.9	DX1-A13			
	5.7	7.8	9.2	10.2	11.0	11.6	12.1	12.5	12.7	DX1-A16			
	6.9	9.4	11.1	12.4	13.4	14.1	14.7	15.1	15.4	DX1-A18			
	8.5	11.5	13.6	15.1	16.3	17.2	17.9	18.4	18.8	DX1-A20			
	10.2	13.8	16.3	18.2	19.6	20.7	21.5	22.2	22.7	DX1-A22			
	12.1	16.5	19.4	21.6	23.3	24.6	25.7	26.4	27.0	DX1-A24			
	16.6	22.5	26.5	29.5	31.8	33.6	35.0	36.1	36.8	DX1-A28			
	18.1	24.5	28.9	32.2	34.7	36.7	38.2	39.3	40.2	DX1-A30			
19.4	26.3	31.1	34.6	37.3	39.4	41.1	42.3	43.2	DX1-A32				



DX1 Electronic Expansion Valve

Cooling Controls

D A T A S H E E T

Condensing Temperature (°C)	R407C			Extended Capacity (kW)									Valve Model
				Evaporating Temperature (°C)									
	15	10	5	0	-5	-10	-15	-20	-25	-30	-35	-40	
55	5.0	5.1	5.2	5.2	5.2	5.1	4.5	3.7	3.1				DX1-A13
	8.2	8.4	8.4	8.4	8.4	8.4	7.3	6.1	5.0				DX1-A16
	9.9	10.1	10.1	10.1	10.1	10.1	8.8	7.3	6.0				DX1-A18
	12.1	12.3	12.3	12.4	12.3	12.3	10.7	8.9	7.3				DX1-A20
	14.6	14.8	14.9	14.9	14.9	14.8	12.9	10.8	8.9				DX1-A22
	17.3	17.6	17.7	17.7	17.7	17.6	15.3	12.8	10.5				DX1-A24
	23.6	24.0	24.1	24.1	24.1	23.9	20.9	17.4	14.4				DX1-A28
	25.7	26.2	26.3	26.3	26.3	26.1	22.8	19.0	15.7				DX1-A30
	27.7	28.2	28.3	28.3	28.3	28.1	24.5	20.4	16.9				DX1-A32
50	5.0	5.2	5.2	5.3	5.3	5.3	4.6	3.9	3.2				DX1-A13
	8.2	8.4	8.6	8.6	8.6	8.6	7.5	6.3	5.2				DX1-A16
	9.9	10.1	10.3	10.3	10.4	10.3	9.0	7.6	6.3				DX1-A18
	12.0	12.3	12.5	12.6	12.7	12.6	11.0	9.2	7.6				DX1-A20
	14.6	14.9	15.2	15.2	15.3	15.2	13.3	11.1	9.2				DX1-A22
	17.3	17.7	18.0	18.0	18.1	18.1	15.7	13.2	11.0				DX1-A24
	23.5	24.1	24.5	24.6	24.7	24.6	21.4	18.0	14.9				DX1-A28
	25.7	26.3	26.7	26.8	27.0	26.8	23.4	19.6	16.3				DX1-A30
	27.6	28.3	28.8	28.8	29.0	28.9	25.2	21.1	17.5				DX1-A32
45	4.9	5.1	5.2	5.3	5.3	5.3	4.7	3.9	3.3				DX1-A13
	8.0	8.3	8.5	8.6	8.7	8.6	7.6	6.4	5.3				DX1-A16
	9.7	10.0	10.2	10.4	10.5	10.4	9.2	7.7	6.4				DX1-A18
	11.8	12.2	12.4	12.6	12.7	12.7	11.2	9.4	7.8				DX1-A20
	14.3	14.7	15.0	15.2	15.4	15.3	13.5	11.3	9.4				DX1-A22
	16.9	17.4	17.8	18.1	18.2	18.2	16.1	13.4	11.1				DX1-A24
	23.0	23.8	24.3	24.6	24.9	24.8	21.9	18.3	15.2				DX1-A28
	25.1	25.9	26.5	26.9	27.1	27.0	23.9	19.9	16.6				DX1-A30
	27.1	27.9	28.5	28.9	29.2	29.1	25.7	21.5	17.8				DX1-A32
40	4.7	4.9	5.1	5.2	5.3	5.3	4.7	3.9	3.3				DX1-A13
	7.7	8.0	8.3	8.5	8.6	8.6	7.6	6.4	5.4				DX1-A16
	9.2	9.6	10.0	10.2	10.3	10.4	9.2	7.7	6.5				DX1-A18
	11.2	11.7	12.2	12.4	12.6	12.7	11.2	9.4	7.9				DX1-A20
	13.6	14.2	14.7	15.0	15.2	15.3	13.5	11.3	9.5				DX1-A22
	16.1	16.8	17.5	17.8	18.0	18.2	16.0	13.4	11.3				DX1-A24
	21.9	22.9	23.8	24.3	24.6	24.8	21.9	18.3	15.3				DX1-A28
	23.9	24.9	25.9	26.5	26.8	27.0	23.9	20.0	16.7				DX1-A30
	25.8	26.9	27.9	28.5	28.9	29.1	25.7	21.5	18.0				DX1-A32



DX1 Electronic Expansion Valve

Cooling Controls

D A T A S H E E T

Condensing Temperature (°C)	R407C			Extended Capacity (kW)									Valve Model
				Evaporating Temperature (°C)									
	15	10	5	0	-5	-10	-15	-20	-25	-30	-35	-40	
35	4.4	4.7	4.9	5.0	5.1	5.2	4.6	3.9	3.3				DX1-A13
	7.1	7.6	7.9	8.1	8.4	8.5	7.5	6.4	5.3				DX1-A16
	8.5	9.2	9.5	9.8	10.1	10.2	9.0	7.7	6.4				DX1-A18
	10.4	11.1	11.6	11.9	12.3	12.4	11.0	9.3	7.8				DX1-A20
	12.6	13.5	14.0	14.4	14.9	15.0	13.3	11.3	9.5				DX1-A22
	14.9	16.0	16.6	17.1	17.6	17.8	15.8	13.4	11.2				DX1-A24
	20.3	21.8	22.7	23.3	24.0	24.3	21.5	18.2	15.3				DX1-A28
	22.2	23.8	24.7	25.4	26.2	26.5	23.5	19.9	16.7				DX1-A30
	23.9	25.6	26.6	27.4	28.2	28.5	25.2	21.4	17.9				DX1-A32
30	3.9	4.3	4.6	4.8	4.9	5.0	4.5	3.8	3.2				DX1-A13
	6.3	7.0	7.5	7.8	8.1	8.2	7.3	6.2	5.3				DX1-A16
	7.6	8.4	9.0	9.4	9.7	9.9	8.8	7.5	6.3				DX1-A18
	9.3	10.2	10.9	11.4	11.8	12.0	10.7	9.1	7.7				DX1-A20
	11.2	12.4	13.2	13.8	14.3	14.5	12.9	11.1	9.3				DX1-A22
	13.3	14.6	15.7	16.3	16.9	17.2	15.3	13.1	11.0				DX1-A24
	18.1	20.0	21.4	22.2	23.1	23.5	20.9	17.9	15.0				DX1-A28
	19.7	21.8	23.3	24.3	25.2	25.6	22.8	19.5	16.4				DX1-A30
	21.2	23.4	25.1	26.1	27.1	27.6	24.6	21.0	17.7				DX1-A32
25	3.3	3.8	4.2	4.4	4.7	4.8	4.3	3.7	3.1				DX1-A13
	5.3	6.2	6.8	7.2	7.6	7.8	7.1	6.0	5.1				DX1-A16
	6.4	7.4	8.2	8.7	9.1	9.4	8.5	7.2	6.1				DX1-A18
	7.8	9.1	10.0	10.6	11.1	11.4	10.4	8.8	7.5				DX1-A20
	9.4	11.0	12.1	12.8	13.5	13.8	12.5	10.6	9.0				DX1-A22
	11.2	13.0	14.3	15.2	16.0	16.4	14.9	12.6	10.7				DX1-A24
	15.2	17.7	19.5	20.7	21.7	22.3	20.2	17.2	14.6				DX1-A28
	16.6	19.3	21.3	22.6	23.7	24.3	22.1	18.8	15.9				DX1-A30
	17.8	20.8	22.9	24.3	25.5	26.2	23.8	20.2	17.1				DX1-A32
20	3.1	3.7	4.0	4.3	4.5	4.1	3.5	3.0					DX1-A13
	5.1	5.9	6.6	7.0	7.3	6.7	5.7	4.9					DX1-A16
	6.1	7.2	7.9	8.4	8.8	8.0	6.9	5.9					DX1-A18
	7.5	8.7	9.6	10.2	10.7	9.8	8.4	7.2					DX1-A20
	9.0	10.5	11.7	12.3	13.0	11.8	10.2	8.6					DX1-A22
	10.7	12.5	13.8	14.6	15.4	14.0	12.1	10.3					DX1-A24
	14.6	17.0	18.8	19.9	21.0	19.1	16.4	14.0					DX1-A28
	15.9	18.6	20.6	21.8	22.9	20.8	17.9	15.2					DX1-A30
	17.1	20.0	22.1	23.4	24.6	22.4	19.3	16.4					DX1-A32



DX1 Electronic Expansion Valve

Cooling Controls

D A T A S H E E T

Condensing Temperature (°C)	R407C			Extended Capacity (kW)									Valve Model	
				Evaporating Temperature (°C)										
	15	10	5	0	-5	-10	-15	-20	-25	-30	-35	-40		
15				3.0	3.5	3.8	4.1	3.8	3.3	2.8				DX1-A13
				4.8	5.7	6.2	6.7	6.2	5.4	4.6				DX1-A16
				5.8	6.9	7.5	8.1	7.5	6.5	5.6				DX1-A18
				7.1	8.3	9.1	9.8	9.1	7.9	6.8				DX1-A20
				8.6	10.1	11.0	11.9	11.0	9.6	8.2				DX1-A22
				10.2	12.0	13.1	14.1	13.0	11.3	9.8				DX1-A24
				13.8	16.3	17.8	19.1	17.7	15.4	13.3				DX1-A28
				15.1	17.8	19.5	20.9	19.4	16.9	14.5				DX1-A30
				16.3	19.1	21.0	22.5	20.8	18.1	15.6				DX1-A32
10				2.7	3.3	3.6	3.4	3.0	2.6				DX1-A13	
				4.5	5.3	5.9	5.6	5.0	4.3				DX1-A16	
				5.4	6.4	7.2	6.7	6.0	5.2				DX1-A18	
				6.6	7.8	8.7	8.2	7.3	6.3				DX1-A20	
				7.9	9.5	10.5	9.9	8.8	7.6				DX1-A22	
				9.4	11.2	12.5	11.8	10.4	9.1				DX1-A24	
				12.8	15.3	17.0	16.0	14.2	12.3				DX1-A28	
				14.0	16.7	18.6	17.5	15.5	13.5				DX1-A30	
				15.1	17.9	20.0	18.8	16.7	14.5				DX1-A32	



DX1 Electronic Expansion Valve

Cooling Controls

D A T A S H E E T

Condensing Temperature (°C)	R448A			Extended Capacity (kW)									Valve Model
				Evaporating Temperature (°C)									
	15	10	5	0	-5	-10	-15	-20	-25	-30	-35	-40	
60	5.1	5.2	5.2	5.2	5.2	5.1	5.1	5.0	4.9	4.7	4.6	4.5	DX1-A13
	8.2	8.3	8.4	8.4	8.3	8.2	8.1	8.0	7.8	7.6	7.4	7.2	DX1-A16
	10.0	10.1	10.2	10.1	10.1	10.0	9.8	9.7	9.5	9.2	9.0	8.7	DX1-A18
	12.2	12.4	12.4	12.4	12.3	12.2	12.0	11.8	11.6	11.3	11.0	10.6	DX1-A20
	14.7	14.9	15.0	15.0	14.9	14.7	14.5	14.3	14.0	13.6	13.2	12.8	DX1-A22
	17.5	17.7	17.7	17.7	17.6	17.4	17.2	16.9	16.5	16.1	15.7	15.2	DX1-A24
	23.9	24.1	24.2	24.2	24.1	23.8	23.5	23.1	22.6	22.0	21.4	20.8	DX1-A28
	26.0	26.3	26.4	26.4	26.2	26.0	25.6	25.1	24.6	24.0	23.3	22.6	DX1-A30
	28.0	28.4	28.5	28.5	28.3	28.0	27.6	27.1	26.5	25.9	25.2	24.4	DX1-A32
55	5.2	5.3	5.3	5.3	5.3	5.3	5.2	5.2	5.1	5.0	4.9	4.7	DX1-A13
	8.3	8.4	8.5	8.6	8.5	8.5	8.4	8.3	8.2	8.0	7.8	7.6	DX1-A16
	10.0	10.2	10.3	10.4	10.4	10.3	10.2	10.1	9.9	9.7	9.5	9.2	DX1-A18
	12.3	12.5	12.6	12.7	12.7	12.6	12.5	12.3	12.1	11.8	11.6	11.3	DX1-A20
	14.8	15.1	15.2	15.3	15.3	15.2	15.0	14.8	14.6	14.3	14.0	13.6	DX1-A22
	17.5	17.8	18.0	18.1	18.1	18.0	17.8	17.6	17.3	16.9	16.5	16.1	DX1-A24
	23.9	24.4	24.6	24.8	24.7	24.6	24.3	24.0	23.6	23.1	22.6	22.0	DX1-A28
	26.1	26.6	26.9	27.0	26.9	26.8	26.5	26.2	25.7	25.2	24.6	24.0	DX1-A30
	28.1	28.6	29.0	29.1	29.1	28.9	28.6	28.2	27.7	27.2	26.5	25.9	DX1-A32
50	5.1	5.2	5.3	5.4	5.4	5.4	5.3	5.3	5.2	5.1	5.0	4.9	DX1-A13
	8.1	8.4	8.5	8.6	8.6	8.6	8.6	8.5	8.4	8.2	8.1	7.9	DX1-A16
	9.9	10.1	10.3	10.4	10.5	10.4	10.4	10.3	10.1	10.0	9.8	9.6	DX1-A18
	12.1	12.4	12.6	12.7	12.8	12.8	12.7	12.6	12.4	12.2	12.0	11.7	DX1-A20
	14.6	14.9	15.2	15.4	15.4	15.4	15.3	15.2	15.0	14.7	14.4	14.1	DX1-A22
	17.2	17.7	18.0	18.2	18.3	18.2	18.1	18.0	17.7	17.4	17.1	16.7	DX1-A24
	23.6	24.2	24.6	24.9	25.0	24.9	24.8	24.6	24.2	23.8	23.4	22.9	DX1-A28
	25.7	26.4	26.8	27.1	27.2	27.2	27.0	26.7	26.4	26.0	25.5	24.9	DX1-A30
	27.7	28.4	28.9	29.2	29.3	29.3	29.1	28.8	28.5	28.0	27.5	26.8	DX1-A32
45	4.9	5.1	5.2	5.3	5.4	5.4	5.4	5.3	5.3	5.2	5.1	5.0	DX1-A13
	7.9	8.1	8.4	8.5	8.6	8.6	8.6	8.6	8.5	8.4	8.2	8.1	DX1-A16
	9.5	9.9	10.1	10.3	10.4	10.4	10.4	10.4	10.3	10.1	10.0	9.8	DX1-A18
	11.6	12.1	12.4	12.6	12.7	12.8	12.8	12.7	12.6	12.4	12.2	12.0	DX1-A20
	14.0	14.6	14.9	15.2	15.3	15.4	15.4	15.3	15.1	14.9	14.7	14.4	DX1-A22
	16.6	17.3	17.7	18.0	18.2	18.2	18.2	18.1	17.9	17.7	17.4	17.1	DX1-A24
	22.7	23.6	24.2	24.6	24.8	24.9	24.9	24.8	24.5	24.2	23.8	23.4	DX1-A28
	24.8	25.7	26.4	26.8	27.1	27.2	27.1	27.0	26.7	26.4	25.9	25.4	DX1-A30
	26.7	27.7	28.4	28.9	29.2	29.3	29.2	29.1	28.8	28.4	28.0	27.4	DX1-A32



DX1 Electronic Expansion Valve

Cooling Controls

D A T A S H E E T

Condensing Temperature (°C)	R448A			Extended Capacity (kW)									Valve Model
				Evaporating Temperature (°C)									
	15	10	5	0	-5	-10	-15	-20	-25	-30	-35	-40	
40	4.6	4.9	5.0	5.2	5.3	5.3	5.3	5.3	5.3	5.2	5.2	5.1	DX1-A13
	7.4	7.8	8.1	8.3	8.4	8.5	8.5	8.5	8.5	8.4	8.3	8.1	DX1-A16
	9.0	9.5	9.8	10.0	10.2	10.3	10.3	10.3	10.3	10.2	10.0	9.9	DX1-A18
	11.0	11.6	12.0	12.3	12.5	12.6	12.6	12.6	12.6	12.4	12.3	12.1	DX1-A20
	13.3	13.9	14.5	14.8	15.1	15.2	15.3	15.2	15.1	15.0	14.8	14.6	DX1-A22
	15.7	16.5	17.1	17.6	17.8	18.0	18.1	18.0	17.9	17.8	17.5	17.3	DX1-A24
	21.5	22.6	23.4	24.0	24.4	24.6	24.7	24.6	24.5	24.3	24.0	23.6	DX1-A28
	23.4	24.6	25.5	26.1	26.6	26.8	26.9	26.9	26.7	26.4	26.1	25.7	DX1-A30
	25.2	26.5	27.5	28.2	28.6	28.9	29.0	29.0	28.8	28.5	28.1	27.7	DX1-A32
35	4.2	4.6	4.8	5.0	5.1	5.2	5.2	5.2	5.2	5.2	5.1	5.1	DX1-A13
	6.8	7.3	7.7	8.0	8.2	8.3	8.4	8.4	8.4	8.3	8.2	8.1	DX1-A16
	8.2	8.9	9.3	9.6	9.9	10.0	10.1	10.2	10.1	10.1	10.0	9.9	DX1-A18
	10.1	10.8	11.4	11.8	12.1	12.3	12.4	12.4	12.4	12.3	12.2	12.1	DX1-A20
	12.2	13.1	13.7	14.2	14.6	14.8	15.0	15.0	15.0	14.9	14.7	14.5	DX1-A22
	14.4	15.5	16.3	16.9	17.3	17.6	17.7	17.8	17.7	17.6	17.4	17.2	DX1-A24
	19.7	21.2	22.2	23.0	23.6	24.0	24.2	24.3	24.2	24.1	23.8	23.5	DX1-A28
	21.5	23.0	24.2	25.1	25.7	26.1	26.4	26.4	26.4	26.2	26.0	25.6	DX1-A30
	23.1	24.8	26.1	27.1	27.7	28.2	28.4	28.5	28.5	28.3	28.0	27.6	DX1-A32
30	3.7	4.2	4.5	4.7	4.9	5.0	5.0	5.1	5.1	5.1	5.1	5.0	DX1-A13
	6.0	6.7	7.2	7.5	7.8	8.0	8.1	8.2	8.2	8.2	8.1	8.0	DX1-A16
	7.3	8.1	8.7	9.1	9.4	9.7	9.8	9.9	9.9	9.9	9.8	9.7	DX1-A18
	8.9	9.9	10.6	11.1	11.5	11.8	12.0	12.1	12.1	12.1	12.0	11.9	DX1-A20
	10.7	11.9	12.8	13.4	13.9	14.3	14.5	14.6	14.6	14.6	14.5	14.4	DX1-A22
	12.7	14.1	15.1	15.9	16.5	16.9	17.1	17.3	17.3	17.3	17.2	17.0	DX1-A24
	17.4	19.3	20.7	21.8	22.5	23.1	23.4	23.6	23.7	23.6	23.5	23.3	DX1-A28
	18.9	21.0	22.6	23.7	24.5	25.1	25.5	25.7	25.8	25.7	25.6	25.3	DX1-A30
	20.4	22.6	24.3	25.6	26.5	27.1	27.5	27.8	27.8	27.8	27.6	27.3	DX1-A32
25	3.1	3.6	4.0	4.3	4.6	4.7	4.8	4.9	4.9	4.9	4.9	4.9	DX1-A13
	4.9	5.8	6.5	6.9	7.3	7.6	7.7	7.9	7.9	7.9	7.9	7.9	DX1-A16
	6.0	7.1	7.8	8.4	8.8	9.2	9.4	9.5	9.6	9.6	9.6	9.5	DX1-A18
	7.3	8.6	9.6	10.3	10.8	11.2	11.5	11.6	11.7	11.8	11.7	11.7	DX1-A20
	8.8	10.4	11.6	12.4	13.1	13.5	13.8	14.0	14.2	14.2	14.2	14.1	DX1-A22
	10.4	12.3	13.7	14.7	15.5	16.0	16.4	16.6	16.8	16.8	16.8	16.6	DX1-A24
	14.3	16.9	18.7	20.1	21.1	21.9	22.4	22.7	22.9	23.0	22.9	22.8	DX1-A28
	15.5	18.4	20.4	21.9	23.0	23.8	24.4	24.8	25.0	25.0	25.0	24.8	DX1-A30
	16.8	19.8	22.0	23.6	24.8	25.7	26.3	26.7	26.9	27.0	26.9	26.7	DX1-A32



D A T A S H E E T

Condensing Temperature (°C)	R448A			Extended Capacity (kW)									Valve Model
				Evaporating Temperature (°C)									
	15	10	5	0	-5	-10	-15	-20	-25	-30	-35	-40	
20		2.9	3.5	3.9	4.2	4.4	4.5	4.7	4.7	4.8	4.8	4.7	DX1-A13
		4.7	5.6	6.2	6.7	7.0	7.3	7.5	7.6	7.6	7.6	7.6	DX1-A16
		5.7	6.8	7.6	8.1	8.5	8.8	9.0	9.2	9.2	9.3	9.2	DX1-A18
		7.0	8.3	9.2	9.9	10.4	10.8	11.1	11.2	11.3	11.3	11.3	DX1-A20
		8.4	10.0	11.1	12.0	12.6	13.0	13.3	13.5	13.6	13.7	13.6	DX1-A22
		10.0	11.9	13.2	14.2	14.9	15.4	15.8	16.0	16.1	16.2	16.1	DX1-A24
		13.7	16.2	18.0	19.4	20.4	21.1	21.6	21.9	22.1	22.1	22.0	DX1-A28
		14.9	17.7	19.7	21.1	22.2	23.0	23.5	23.9	24.0	24.1	24.0	DX1-A30
15				2.8	3.3	3.7	4.0	4.2	4.4	4.5	4.5	4.6	DX1-A13
				4.5	5.3	6.0	6.4	6.7	7.0	7.1	7.2	7.3	DX1-A16
				5.4	6.5	7.2	7.8	8.2	8.5	8.7	8.8	8.9	DX1-A18
				6.6	7.9	8.8	9.5	10.0	10.3	10.6	10.7	10.8	DX1-A20
				8.0	9.5	10.7	11.5	12.1	12.5	12.8	12.9	13.0	DX1-A22
				9.4	11.3	12.6	13.6	14.3	14.8	15.1	15.3	15.4	DX1-A24
				12.9	15.4	17.2	18.6	19.5	20.2	20.7	21.0	21.1	DX1-A28
				14.1	16.8	18.8	20.2	21.3	22.0	22.5	22.8	23.0	DX1-A30
10				2.6	3.1	3.5	3.8	4.0	4.1	4.2	4.3	4.3	DX1-A13
				4.2	5.0	5.6	6.1	6.4	6.6	6.8	6.9	6.9	DX1-A16
				5.0	6.1	6.8	7.4	7.8	8.0	8.2	8.3	8.4	DX1-A18
				6.2	7.5	8.4	9.0	9.5	9.8	10.1	10.2	10.3	DX1-A20
				7.4	9.0	10.1	10.9	11.4	11.9	12.1	12.3	12.4	DX1-A22
				8.8	10.7	11.9	12.9	13.6	14.0	14.4	14.6	14.7	DX1-A24
				12.0	14.6	16.3	17.6	18.5	19.2	19.6	19.9	20.0	DX1-A28
				13.1	15.9	17.8	19.2	20.2	20.9	21.4	21.7	21.8	DX1-A30
				14.1	17.1	19.2	20.7	21.8	22.5	23.1	23.4	23.5	DX1-A32



DX1 Electronic Expansion Valve

Cooling Controls

D A T A S H E E T

Condensing Temperature (°C)	R449A			Extended Capacity (kW)									Valve Model
				Evaporating Temperature (°C)									
	15	10	5	0	-5	-10	-15	-20	-25	-30	-35	-40	
60	5.0	5.1	5.1	5.1	5.1	5.0	4.9	4.8	4.7	4.6	4.5	4.4	DX1-A13
	8.1	8.2	8.2	8.2	8.1	8.0	7.9	7.8	7.6	7.4	7.2	7.0	DX1-A16
	9.8	9.9	9.9	9.9	9.8	9.7	9.6	9.4	9.2	9.0	8.7	8.5	DX1-A18
	12.0	12.1	12.1	12.1	12.0	11.9	11.7	11.5	11.3	11.0	10.7	10.4	DX1-A20
	14.4	14.6	14.6	14.6	14.5	14.4	14.2	13.9	13.6	13.3	12.9	12.5	DX1-A22
	17.1	17.3	17.3	17.3	17.2	17.0	16.8	16.5	16.1	15.7	15.3	14.8	DX1-A24
	23.3	23.6	23.7	23.7	23.5	23.3	22.9	22.5	22.0	21.5	20.9	20.2	DX1-A28
	25.4	25.7	25.8	25.8	25.6	25.3	25.0	24.5	24.0	23.4	22.7	22.0	DX1-A30
	27.4	27.7	27.8	27.8	27.6	27.3	26.9	26.4	25.9	25.2	24.5	23.7	DX1-A32
55	5.0	5.1	5.2	5.2	5.2	5.2	5.1	5.1	5.0	4.9	4.7	4.6	DX1-A13
	8.1	8.2	8.3	8.4	8.4	8.3	8.2	8.1	8.0	7.8	7.6	7.4	DX1-A16
	9.8	10.0	10.1	10.1	10.1	10.1	10.0	9.8	9.6	9.4	9.2	9.0	DX1-A18
	12.0	12.2	12.3	12.4	12.4	12.3	12.2	12.0	11.8	11.6	11.3	11.0	DX1-A20
	14.5	14.7	14.9	15.0	14.9	14.8	14.7	14.5	14.2	13.9	13.6	13.3	DX1-A22
	17.1	17.5	17.6	17.7	17.7	17.6	17.4	17.2	16.9	16.5	16.1	15.7	DX1-A24
	23.4	23.9	24.1	24.2	24.2	24.0	23.8	23.4	23.0	22.6	22.0	21.4	DX1-A28
	25.5	26.0	26.3	26.4	26.3	26.2	25.9	25.5	25.1	24.6	24.0	23.4	DX1-A30
	27.5	28.0	28.3	28.4	28.4	28.2	27.9	27.5	27.1	26.5	25.9	25.2	DX1-A32
50	5.0	5.1	5.2	5.2	5.3	5.3	5.2	5.2	5.1	5.0	4.9	4.8	DX1-A13
	8.0	8.2	8.3	8.4	8.4	8.4	8.4	8.3	8.2	8.0	7.9	7.7	DX1-A16
	9.7	9.9	10.1	10.2	10.2	10.2	10.1	10.0	9.9	9.7	9.5	9.3	DX1-A18
	11.8	12.1	12.3	12.5	12.5	12.5	12.4	12.3	12.1	11.9	11.7	11.4	DX1-A20
	14.2	14.6	14.9	15.0	15.1	15.1	15.0	14.8	14.6	14.4	14.1	13.8	DX1-A22
	16.9	17.3	17.6	17.8	17.9	17.8	17.7	17.6	17.3	17.0	16.7	16.3	DX1-A24
	23.1	23.7	24.1	24.3	24.4	24.4	24.2	24.0	23.7	23.3	22.8	22.3	DX1-A28
	25.1	25.8	26.2	26.5	26.6	26.6	26.4	26.1	25.8	25.3	24.8	24.3	DX1-A30
	27.1	27.8	28.3	28.6	28.7	28.6	28.5	28.2	27.8	27.3	26.8	26.2	DX1-A32
45	4.8	5.0	5.1	5.2	5.2	5.3	5.2	5.2	5.2	5.1	5.0	4.9	DX1-A13
	7.7	8.0	8.2	8.3	8.4	8.4	8.4	8.4	8.3	8.2	8.0	7.9	DX1-A16
	9.3	9.7	9.9	10.1	10.2	10.2	10.2	10.1	10.0	9.9	9.7	9.5	DX1-A18
	11.4	11.8	12.1	12.3	12.5	12.5	12.5	12.4	12.3	12.1	11.9	11.7	DX1-A20
	13.7	14.3	14.6	14.9	15.0	15.1	15.0	15.0	14.8	14.6	14.4	14.1	DX1-A22
	16.3	16.9	17.3	17.6	17.8	17.8	17.8	17.7	17.5	17.3	17.0	16.7	DX1-A24
	22.2	23.1	23.7	24.1	24.3	24.4	24.4	24.2	24.0	23.6	23.3	22.8	DX1-A28
	24.2	25.1	25.8	26.2	26.5	26.6	26.5	26.4	26.1	25.8	25.3	24.8	DX1-A30
	26.1	27.1	27.8	28.3	28.6	28.7	28.6	28.4	28.2	27.8	27.3	26.8	DX1-A32



DX1 Electronic Expansion Valve

Cooling Controls

D A T A S H E E T

Condensing Temperature (°C)	R449A			Extended Capacity (kW)									Valve Model
				Evaporating Temperature (°C)									
	15	10	5	0	-5	-10	-15	-20	-25	-30	-35	-40	
40	4.5	4.8	4.9	5.1	5.1	5.2	5.2	5.2	5.2	5.1	5.0	5.0	DX1-A13
	7.3	7.6	7.9	8.1	8.2	8.3	8.3	8.3	8.3	8.2	8.1	8.0	DX1-A16
	8.8	9.2	9.6	9.8	10.0	10.1	10.1	10.1	10.0	9.9	9.8	9.6	DX1-A18
	10.7	11.3	11.7	12.0	12.2	12.3	12.4	12.4	12.3	12.2	12.0	11.8	DX1-A20
	13.0	13.6	14.2	14.5	14.7	14.9	14.9	14.9	14.8	14.7	14.5	14.2	DX1-A22
	15.4	16.2	16.8	17.2	17.5	17.6	17.7	17.6	17.5	17.4	17.1	16.9	DX1-A24
	21.0	22.1	22.9	23.5	23.9	24.1	24.2	24.1	24.0	23.7	23.4	23.0	DX1-A28
	22.9	24.1	25.0	25.6	26.0	26.2	26.3	26.3	26.1	25.9	25.5	25.1	DX1-A30
	24.7	25.9	26.9	27.6	28.0	28.3	28.4	28.3	28.2	27.9	27.5	27.1	DX1-A32
35	4.1	4.5	4.7	4.9	5.0	5.1	5.1	5.1	5.1	5.1	5.0	5.0	DX1-A13
	6.7	7.1	7.5	7.8	8.0	8.1	8.2	8.2	8.2	8.1	8.1	8.0	DX1-A16
	8.1	8.7	9.1	9.4	9.7	9.8	9.9	9.9	9.9	9.9	9.8	9.6	DX1-A18
	9.9	10.6	11.1	11.6	11.8	12.0	12.1	12.2	12.1	12.1	11.9	11.8	DX1-A20
	11.9	12.8	13.4	13.9	14.3	14.5	14.6	14.7	14.6	14.6	14.4	14.2	DX1-A22
	14.1	15.1	15.9	16.5	16.9	17.2	17.3	17.4	17.3	17.2	17.1	16.8	DX1-A24
	19.2	20.7	21.8	22.6	23.1	23.5	23.7	23.7	23.7	23.6	23.3	23.0	DX1-A28
	21.0	22.5	23.7	24.6	25.2	25.6	25.8	25.9	25.8	25.7	25.4	25.1	DX1-A30
	22.6	24.3	25.6	26.5	27.2	27.6	27.8	27.9	27.8	27.7	27.4	27.0	DX1-A32
30	3.7	4.1	4.4	4.6	4.8	4.9	4.9	5.0	5.0	5.0	5.0	4.9	DX1-A13
	5.9	6.5	7.0	7.4	7.6	7.8	7.9	8.0	8.0	8.0	7.9	7.9	DX1-A16
	7.1	7.9	8.5	8.9	9.2	9.5	9.6	9.7	9.7	9.7	9.6	9.5	DX1-A18
	8.7	9.6	10.4	10.9	11.3	11.6	11.7	11.8	11.9	11.8	11.8	11.7	DX1-A20
	10.5	11.6	12.5	13.2	13.6	14.0	14.2	14.3	14.3	14.3	14.2	14.1	DX1-A22
	12.4	13.8	14.8	15.6	16.1	16.5	16.8	16.9	17.0	16.9	16.8	16.6	DX1-A24
	16.9	18.8	20.2	21.3	22.1	22.6	22.9	23.1	23.2	23.1	23.0	22.7	DX1-A28
	18.5	20.5	22.1	23.2	24.0	24.6	25.0	25.2	25.3	25.2	25.0	24.8	DX1-A30
	19.9	22.1	23.8	25.0	25.9	26.5	26.9	27.2	27.2	27.2	27.0	26.7	DX1-A32
25	3.0	3.5	3.9	4.2	4.5	4.6	4.7	4.8	4.8	4.8	4.8	4.8	DX1-A13
	4.8	5.7	6.3	6.8	7.1	7.4	7.6	7.7	7.8	7.8	7.7	7.7	DX1-A16
	5.8	6.9	7.7	8.2	8.7	9.0	9.2	9.3	9.4	9.4	9.4	9.3	DX1-A18
	7.1	8.4	9.4	10.1	10.6	11.0	11.2	11.4	11.5	11.5	11.5	11.4	DX1-A20
	8.6	10.2	11.3	12.1	12.8	13.2	13.5	13.8	13.9	13.9	13.9	13.8	DX1-A22
	10.1	12.0	13.4	14.4	15.1	15.7	16.0	16.3	16.4	16.4	16.4	16.3	DX1-A24
	13.9	16.4	18.3	19.7	20.7	21.4	21.9	22.3	22.4	22.5	22.4	22.3	DX1-A28
	15.1	17.9	19.9	21.4	22.5	23.3	23.9	24.2	24.4	24.5	24.4	24.3	DX1-A30
	16.3	19.3	21.5	23.1	24.3	25.2	25.8	26.1	26.4	26.4	26.3	26.2	DX1-A32



DX1 Electronic Expansion Valve

Cooling Controls

D A T A S H E E T

Condensing Temperature (°C)	R449A			Extended Capacity (kW)									Valve Model
				Evaporating Temperature (°C)									
	15	10	5	0	-5	-10	-15	-20	-25	-30	-35	-40	
20		2.9	3.4	3.8	4.1	4.3	4.4	4.6	4.6	4.7	4.7	4.6	DX1-A13
		4.6	5.5	6.1	6.5	6.9	7.1	7.3	7.4	7.5	7.5	7.5	DX1-A16
		5.5	6.6	7.4	7.9	8.3	8.6	8.8	9.0	9.0	9.1	9.0	DX1-A18
		6.8	8.1	9.0	9.7	10.2	10.6	10.8	11.0	11.1	11.1	11.1	DX1-A20
		8.2	9.8	10.9	11.7	12.3	12.8	13.1	13.3	13.4	13.4	13.3	DX1-A22
		9.7	11.6	12.9	13.9	14.6	15.1	15.5	15.7	15.8	15.8	15.8	DX1-A24
		13.2	15.8	17.6	19.0	19.9	20.6	21.1	21.4	21.6	21.6	21.6	DX1-A28
		14.4	17.2	19.2	20.6	21.7	22.5	23.0	23.4	23.5	23.6	23.5	DX1-A30
		15.5	18.6	20.7	22.3	23.4	24.3	24.8	25.2	25.4	25.4	25.4	DX1-A32
15			2.7	3.2	3.6	3.9	4.1	4.3	4.4	4.4	4.5	4.5	DX1-A13
			4.3	5.2	5.8	6.3	6.6	6.8	7.0	7.1	7.1	7.2	DX1-A16
			5.2	6.3	7.0	7.6	8.0	8.3	8.5	8.6	8.7	8.7	DX1-A18
			6.4	7.7	8.6	9.3	9.8	10.1	10.4	10.5	10.6	10.6	DX1-A20
			7.7	9.3	10.4	11.2	11.8	12.2	12.5	12.7	12.8	12.8	DX1-A22
			9.1	11.0	12.3	13.3	14.0	14.5	14.8	15.0	15.1	15.1	DX1-A24
			12.5	15.0	16.8	18.1	19.1	19.8	20.2	20.5	20.7	20.7	DX1-A28
			13.6	16.4	18.3	19.8	20.8	21.5	22.0	22.4	22.5	22.5	DX1-A30
			14.7	17.7	19.8	21.3	22.4	23.2	23.8	24.1	24.3	24.3	DX1-A32
10			2.5	3.1	3.4	3.7	3.9	4.0	4.1	4.2	4.2	DX1-A13	
			4.0	4.9	5.5	5.9	6.3	6.5	6.6	6.7	6.8	DX1-A16	
			4.9	5.9	6.7	7.2	7.6	7.9	8.0	8.2	8.2	DX1-A18	
			6.0	7.3	8.2	8.8	9.3	9.6	9.8	10.0	10.0	DX1-A20	
			7.2	8.7	9.8	10.6	11.2	11.6	11.9	12.0	12.1	DX1-A22	
			8.5	10.4	11.7	12.6	13.3	13.7	14.1	14.3	14.4	DX1-A24	
			11.6	14.2	15.9	17.2	18.1	18.8	19.2	19.5	19.6	DX1-A28	
			12.7	15.4	17.3	18.7	19.7	20.4	20.9	21.2	21.4	DX1-A30	
			13.7	16.6	18.7	20.2	21.3	22.0	22.6	22.9	23.0	DX1-A32	



DX1 Electronic Expansion Valve

Cooling Controls

D A T A S H E E T

Condensing Temperature (°C)	R410A			Extended Capacity (kW)									Valve Model
				Evaporating Temperature (°C)									
	15	10	5	0	-5	-10	-15	-20	-25	-30	-35	-40	
65	5.0	5.1	5.2	5.2	5.2	5.2	5.2	5.1	5.1	5.0	4.9	4.8	DX1-A13
	8.1	8.3	8.4	8.4	8.4	8.4	8.4	8.3	8.2	8.0	7.9	7.7	DX1-A16
	9.8	10.0	10.1	10.2	10.2	10.2	10.1	10.0	9.9	9.7	9.5	9.3	DX1-A18
	12.0	12.2	12.4	12.5	12.5	12.5	12.4	12.2	12.1	11.9	11.6	11.4	DX1-A20
	14.5	14.7	14.9	15.0	15.0	15.0	14.9	14.7	14.6	14.3	14.0	13.7	DX1-A22
	17.2	17.5	17.8	17.8	17.9	17.8	17.7	17.5	17.3	17.1	16.7	16.3	DX1-A24
	23.5	23.9	24.2	24.3	24.4	24.3	24.1	23.9	23.6	23.3	22.7	22.2	DX1-A28
	25.6	26.0	26.4	26.5	26.5	26.5	26.3	26.1	25.8	25.3	24.8	24.2	DX1-A30
27.5	28.0	28.4	28.5	28.6	28.5	28.3	28.0	27.7	27.3	26.7	26.1	DX1-A32	
60	5.4	5.6	5.7	5.8	5.8	5.8	5.8	5.8	5.7	5.6	5.5	5.4	DX1-A13
	8.8	9.0	9.2	9.3	9.3	9.4	9.3	9.3	9.2	9.1	8.9	8.8	DX1-A16
	10.6	10.9	11.1	11.3	11.3	11.3	11.3	11.2	11.1	11.0	10.8	10.6	DX1-A18
	13.0	13.3	13.5	13.8	13.8	13.9	13.8	13.7	13.6	13.4	13.2	13.0	DX1-A20
	15.6	16.0	16.3	16.6	16.6	16.7	16.6	16.5	16.4	16.1	15.9	15.6	DX1-A22
	18.6	19.1	19.4	19.7	19.8	19.9	19.8	19.7	19.5	19.2	18.9	18.6	DX1-A24
	25.4	26.1	26.5	26.9	26.9	27.1	27.0	26.8	26.6	26.2	25.8	25.4	DX1-A28
	27.6	28.4	28.8	29.3	29.4	29.5	29.4	29.2	29.0	28.6	28.1	27.7	DX1-A30
55	29.7	30.6	31.0	31.6	31.6	31.8	31.6	31.4	31.2	30.8	30.3	29.8	DX1-A32
	5.6	5.8	5.9	6.1	6.1	6.2	6.2	6.2	6.1	6.1	6.0	5.9	DX1-A13
	9.1	9.4	9.6	9.8	9.9	9.9	10.0	10.0	9.9	9.8	9.7	9.5	DX1-A16
	11.0	11.4	11.6	11.8	11.9	12.0	12.0	12.0	11.9	11.8	11.7	11.5	DX1-A18
	13.5	13.9	14.2	14.5	14.6	14.7	14.7	14.7	14.6	14.5	14.3	14.1	DX1-A20
	16.2	16.7	17.1	17.4	17.6	17.7	17.7	17.7	17.6	17.4	17.2	17.0	DX1-A22
	19.3	19.9	20.3	20.7	20.9	21.0	21.1	21.1	20.9	20.7	20.5	20.2	DX1-A24
	26.3	27.2	27.7	28.3	28.5	28.7	28.8	28.8	28.5	28.2	27.9	27.6	DX1-A28
	28.7	29.6	30.2	30.8	31.1	31.3	31.4	31.4	31.1	30.8	30.4	30.1	DX1-A30
	30.9	31.9	32.5	33.2	33.5	33.7	33.7	33.8	33.5	33.1	32.7	32.3	DX1-A32
50	5.6	5.9	6.1	6.2	6.3	6.4	6.4	6.4	6.4	6.4	6.3	6.2	DX1-A13
	9.1	9.5	9.8	10.0	10.2	10.3	10.3	10.3	10.3	10.2	10.1	10.1	DX1-A16
	11.0	11.5	11.9	12.1	12.3	12.4	12.5	12.5	12.4	12.4	12.2	12.2	DX1-A18
	13.4	14.1	14.5	14.8	15.1	15.2	15.2	15.2	15.2	15.2	15.0	14.9	DX1-A20
	16.1	16.9	17.5	17.8	18.1	18.3	18.3	18.3	18.3	18.2	18.0	17.9	DX1-A22
	19.2	20.2	20.8	21.2	21.6	21.7	21.8	21.8	21.8	21.7	21.5	21.3	DX1-A24
	26.2	27.5	28.4	28.9	29.4	29.6	29.7	29.8	29.7	29.6	29.2	29.1	DX1-A28
	28.5	30.0	30.9	31.5	32.1	32.3	32.4	32.4	32.4	32.3	31.9	31.7	DX1-A30
	30.7	32.3	33.3	33.8	34.5	34.8	34.9	34.9	34.9	34.7	34.3	34.1	DX1-A32



DX1 Electronic Expansion Valve

Cooling Controls

D A T A S H E E T

Condensing Temperature (°C)	R410A			Extended Capacity (kW)									Valve Model
				Evaporating Temperature (°C)									
	15	10	5	0	-5	-10	-15	-20	-25	-30	-35	-40	
45	5.5	5.8	6.0	6.2	6.4	6.4	6.5	6.5	6.5	6.5	6.5	6.4	DX1-A13
	8.9	9.4	9.8	10.1	10.3	10.4	10.5	10.6	10.6	10.5	10.5	10.4	DX1-A16
	10.8	11.3	11.8	12.2	12.5	12.6	12.8	12.8	12.8	12.7	12.7	12.6	DX1-A18
	13.2	13.9	14.4	14.9	15.2	15.4	15.6	15.6	15.6	15.6	15.5	15.4	DX1-A20
	15.9	16.7	17.4	17.9	18.3	18.5	18.8	18.8	18.8	18.7	18.6	18.5	DX1-A22
	18.9	19.9	20.7	21.3	21.8	22.0	22.4	22.4	22.4	22.3	22.2	22.0	DX1-A24
	25.7	27.1	28.2	29.1	29.8	30.0	30.5	30.5	30.5	30.4	30.2	30.0	DX1-A28
	28.1	29.5	30.7	31.7	32.4	32.7	33.2	33.3	33.2	33.1	33.0	32.7	DX1-A30
30.2	31.8	33.1	34.1	34.9	35.2	35.7	35.8	35.8	35.7	35.5	35.2	DX1-A32	
40	5.2	5.6	5.9	6.1	6.3	6.4	6.5	6.6	6.6	6.6	6.6	6.5	DX1-A13
	8.4	9.0	9.5	9.9	10.1	10.4	10.6	10.6	10.7	10.7	10.6	10.5	DX1-A16
	10.2	10.9	11.5	11.9	12.3	12.6	12.8	12.8	12.9	12.9	12.8	12.8	DX1-A18
	12.5	13.3	14.0	14.6	15.0	15.4	15.6	15.7	15.8	15.8	15.7	15.6	DX1-A20
	15.0	16.0	16.9	17.5	18.1	18.5	18.8	18.9	19.0	19.0	18.9	18.8	DX1-A22
	17.9	19.1	20.1	20.9	21.5	22.0	22.4	22.5	22.7	22.6	22.5	22.3	DX1-A24
	24.3	26.0	27.4	28.5	29.3	30.0	30.5	30.6	30.9	30.8	30.7	30.5	DX1-A28
	26.5	28.4	29.9	31.0	32.0	32.7	33.3	33.4	33.7	33.6	33.4	33.2	DX1-A30
28.6	30.5	32.1	33.4	34.4	35.2	35.8	35.9	36.3	36.2	36.0	35.7	DX1-A32	
35	4.8	5.2	5.6	5.9	6.1	6.3	6.4	6.5	6.6	6.6	6.6	6.6	DX1-A13
	7.7	8.5	9.0	9.5	9.9	10.2	10.4	10.5	10.7	10.7	10.7	10.6	DX1-A16
	9.3	10.2	10.9	11.5	11.9	12.3	12.6	12.8	12.9	12.9	13.0	12.9	DX1-A18
	11.4	12.5	13.4	14.1	14.6	15.0	15.4	15.6	15.8	15.8	15.8	15.7	DX1-A20
	13.7	15.0	16.1	16.9	17.6	18.1	18.5	18.8	19.0	19.0	19.1	18.9	DX1-A22
	16.3	17.9	19.2	20.1	20.9	21.5	22.0	22.4	22.6	22.6	22.7	22.5	DX1-A24
	22.3	24.4	26.1	27.5	28.5	29.3	30.0	30.5	30.8	30.8	30.9	30.7	DX1-A28
	24.3	26.6	28.5	29.9	31.1	32.0	32.7	33.2	33.6	33.6	33.7	33.5	DX1-A30
	26.1	28.7	30.6	32.2	33.5	34.4	35.2	35.7	36.2	36.1	36.3	36.0	DX1-A32
30	4.1	4.7	5.2	5.6	5.9	6.1	6.3	6.4	6.5	6.5	6.6	6.5	DX1-A13
	6.6	7.6	8.4	9.0	9.5	9.9	10.2	10.4	10.4	10.5	10.6	10.5	DX1-A16
	8.0	9.3	10.2	10.9	11.5	12.0	12.3	12.6	12.6	12.8	12.8	12.8	DX1-A18
	9.7	11.3	12.4	13.3	14.1	14.6	15.1	15.4	15.4	15.6	15.7	15.6	DX1-A20
	11.7	13.6	15.0	16.0	17.0	17.6	18.1	18.5	18.6	18.8	18.9	18.8	DX1-A22
	13.9	16.2	17.8	19.0	20.2	21.0	21.6	22.0	22.1	22.3	22.5	22.4	DX1-A24
	19.0	22.1	24.3	26.0	27.6	28.6	29.4	30.0	30.1	30.5	30.7	30.5	DX1-A28
	20.7	24.1	26.5	28.3	30.0	31.2	32.0	32.7	32.9	33.2	33.4	33.2	DX1-A30
	22.3	25.9	28.5	30.4	32.3	33.5	34.5	35.2	35.4	35.7	36.0	35.8	DX1-A32



DX1 Electronic Expansion Valve

Cooling Controls

D A T A S H E E T

Condensing Temperature (°C)	R410A			Extended Capacity (kW)									Valve Model			
				Evaporating Temperature (°C)												
	15	10	5	0	-5	-10	-15	-20	-25	-30	-35	-40				
25				3.1	4.0	4.7	5.2	5.5	5.8	6.0	6.2	6.3	6.4	6.5	6.4	DX1-A13
				5.0	6.5	7.5	8.3	8.9	9.4	9.7	10.0	10.2	10.3	10.4	10.4	DX1-A16
				6.1	7.9	9.1	10.1	10.8	11.3	11.7	12.1	12.3	12.5	12.6	12.5	DX1-A18
				7.4	9.6	11.1	12.3	13.2	13.9	14.4	14.8	15.0	15.3	15.4	15.3	DX1-A20
				8.9	11.6	13.4	14.9	15.9	16.7	17.3	17.7	18.1	18.4	18.5	18.4	DX1-A22
				10.6	13.8	15.9	17.7	18.9	19.9	20.6	21.1	21.6	21.9	22.1	22.0	DX1-A24
				14.5	18.8	21.7	24.1	25.8	27.1	28.1	28.8	29.4	29.8	30.1	29.9	DX1-A28
				15.8	20.5	23.6	26.3	28.1	29.5	30.6	31.4	32.0	32.5	32.8	32.6	DX1-A30
			17.0	22.0	25.4	28.3	30.2	31.7	32.9	33.8	34.5	35.0	35.3	35.1	DX1-A32	
20				3.0	3.9	4.6	5.1	5.4	5.7	5.9	6.1	6.2	6.2	6.3	6.3	DX1-A13
				4.8	6.3	7.3	8.2	8.7	9.2	9.5	9.8	9.9	10.1	10.2	10.2	DX1-A16
				5.8	7.7	8.9	9.9	10.6	11.1	11.5	11.8	12.0	12.2	12.3	12.3	DX1-A18
				7.1	9.4	10.9	12.1	12.9	13.6	14.1	14.4	14.7	14.9	15.0	15.0	DX1-A20
				8.6	11.3	13.1	14.6	15.6	16.3	16.9	17.4	17.7	17.9	18.1	18.1	DX1-A22
				10.2	13.4	15.6	17.3	18.5	19.5	20.2	20.7	21.1	21.3	21.5	21.5	DX1-A24
				13.9	18.3	21.2	23.6	25.3	26.5	27.5	28.2	28.7	29.1	29.3	29.3	DX1-A28
				15.2	20.0	23.1	25.8	27.6	28.9	30.0	30.7	31.3	31.7	32.0	32.0	DX1-A30
			16.4	21.5	24.9	27.7	29.7	31.1	32.2	33.1	33.7	34.1	34.4	34.4	DX1-A32	
15				2.9	3.8	4.4	4.9	5.2	5.6	5.8	5.9	6.0	6.1	6.1	6.1	DX1-A13
				4.6	6.1	7.2	7.9	8.5	9.0	9.3	9.5	9.7	9.8	9.8	9.8	DX1-A16
				5.6	7.4	8.7	9.6	10.2	10.9	11.3	11.5	11.7	11.9	11.9	11.9	DX1-A18
				6.8	9.0	10.6	11.7	12.5	13.3	13.8	14.1	14.4	14.5	14.5	14.5	DX1-A20
				8.2	10.8	12.8	14.1	15.0	16.0	16.6	17.0	17.3	17.5	17.5	17.5	DX1-A22
				9.8	12.9	15.2	16.8	17.9	19.0	19.7	20.2	20.6	20.8	20.8	20.8	DX1-A24
				13.3	17.6	20.7	22.8	24.4	26.0	26.9	27.6	28.0	28.4	28.4	28.4	DX1-A28
				14.5	19.1	22.6	24.9	26.6	28.3	29.3	30.0	30.6	30.9	30.9	30.9	DX1-A30
			15.6	20.6	24.3	26.8	28.7	30.5	31.5	32.3	32.9	33.3	33.3	33.3	DX1-A32	
10				2.7	3.6	4.3	4.7	5.0	5.4	5.6	5.7	5.8	5.8	5.8	5.8	DX1-A13
				4.3	5.9	6.9	7.6	8.1	8.7	9.0	9.2	9.3	9.3	9.3	9.3	DX1-A16
				5.2	7.1	8.3	9.2	9.8	10.5	10.8	11.1	11.3	11.3	11.3	11.3	DX1-A18
				6.3	8.7	10.2	11.3	12.0	12.8	13.3	13.6	13.8	13.8	13.8	13.8	DX1-A20
				7.6	10.4	12.2	13.5	14.5	15.4	15.9	16.3	16.6	16.6	16.6	16.6	DX1-A22
				9.1	12.4	14.6	16.1	17.3	18.3	19.0	19.4	19.8	19.8	19.8	19.8	DX1-A24
				12.4	17.0	19.9	22.0	23.5	25.0	25.9	26.5	27.0	27.0	27.0	27.0	DX1-A28
				13.5	18.5	21.7	23.9	25.6	27.3	28.2	28.9	29.4	29.4	29.4	29.4	DX1-A30
			14.5	19.9	23.3	25.8	27.6	29.3	30.4	31.1	31.6	31.6	31.6	31.6	DX1-A32	



D A T A S H E E T

General Disclosure

Technical data are verified at the time of printing. Updates may occur, and should you need confirmation of a specific value, please contact Emerson clearly stating the information required. Emerson cannot be held responsible for errors in capacities, dimensions, etc., stated herein. Products, specifications and data in this literature are subject to change without notice. The information given herein is based on data and tests which Emerson believes to be reliable and which are in accordance with today's technical knowledge. It is intended for use by persons having the appropriate technical knowledge and skill, at their own discretion and risk.