

70 Series™ thermostat submittal sheet

Job Name _____ Location _____ Date _____

Purchaser _____ Installer _____

Submitted To _____ For RNC R&R Commercial



1F75C-11NP
1F75C-11PR

ELECTRICAL RATING

Hardwire: 20 to 30 VAC
NEC Class II, 50/60 Hz

SETPOINT RANGE

45° F to 99° F (7° C to 37° C)

ACCESSORIES

Wallplate: F61-2663 (6-3/4" x 4-1/2")
Thermostat Guard: F29-0198

RATED DIFFERENTIALS (@ 6° F / HR)

	Fast	Med	Slow
Heat (Conventional/Elect)	0.5° F	0.75° F	1.9° F
Cool (Central Air)	0.9° F	1.2° F	1.7° F
Heat Pump (Heat and Cool)	0.9° F	1.2° F	1.7° F

TERMINAL LOAD

Staging Models 1.5 A per terminal
2.5 A per maximum all terminals combined

OPERATING AMBIENT

32° F to +105° F
(0° C to +41° C)

OPERATING HUMIDITY

90% non-condensing max

SHIPPING TEMPERATURE

-20° F to +150° F
(-29° C to +65° C)

THERMOSTAT DIMENSIONS

3-3/4"H x 6"W x 1-1/8"D

TERMINAL DESIGNATIONS

- RC*** Power for Cooling
- Y**** Cooling Relay
- W**** Heating Relay
- RH*** Power for Heating
- G** Fan Relay
- C** Common wire for 24V (optional with batteries)
- O/B** Changeover Terminal-Energized in Heat (B) or Cool (O) for Heat Pump or Damper Systems

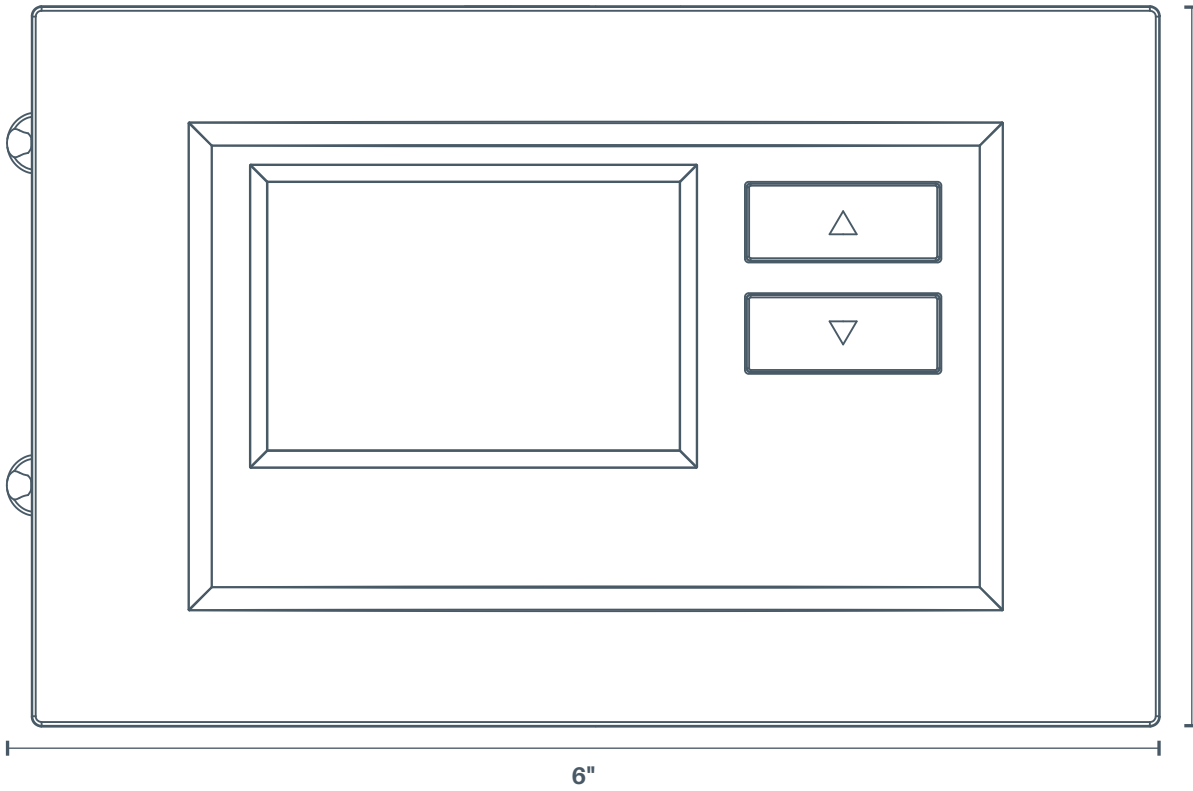
Model	Program Options				Max Stages Heat/Cool			Applications					Power Source					Selectable Performance Features					Comfort & Convenience Features				
	Periods Per Day Options	7 Day	5+1+1 Day	5+2 Day	Programmable	Non-Programmable	Conventional	Heat Pump	PTAC	Gas/Oil	Electric	3 Wire Zone Valve	Millivolt	Battery	Hardwired (24V)	Auto Changeover	Programmable Fan	EMR/Early Start Program	Temperature Limits	Humidity Control (H) Humid (D) Dehumid	Dual Fuel Control	Remote Sensor	Filter Change Reminder	Auto DST Adjust	Keypad Lockout	Cont. Backlight w/ Common	Permanent Memory
1F75C-11NP					✓		1/1	1/1	✓		✓	✓	✓	✓					✓						✓	✓	✓
1F75C-11PR	✓	✓			✓		1/1	1/1	✓		✓	✓	✓	✓					✓						✓	✓	✓

1F75C-11NP
1F75C-11PR

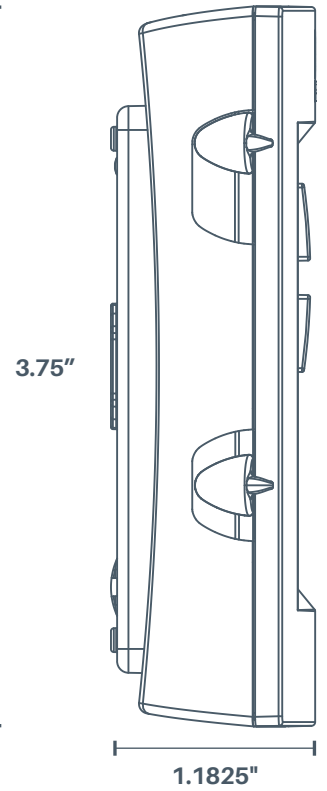
Dimensions

IMAGES ARE TO SCALE

Thermostat front



Thermostat side
(with backplate)



Thermostat backplate

